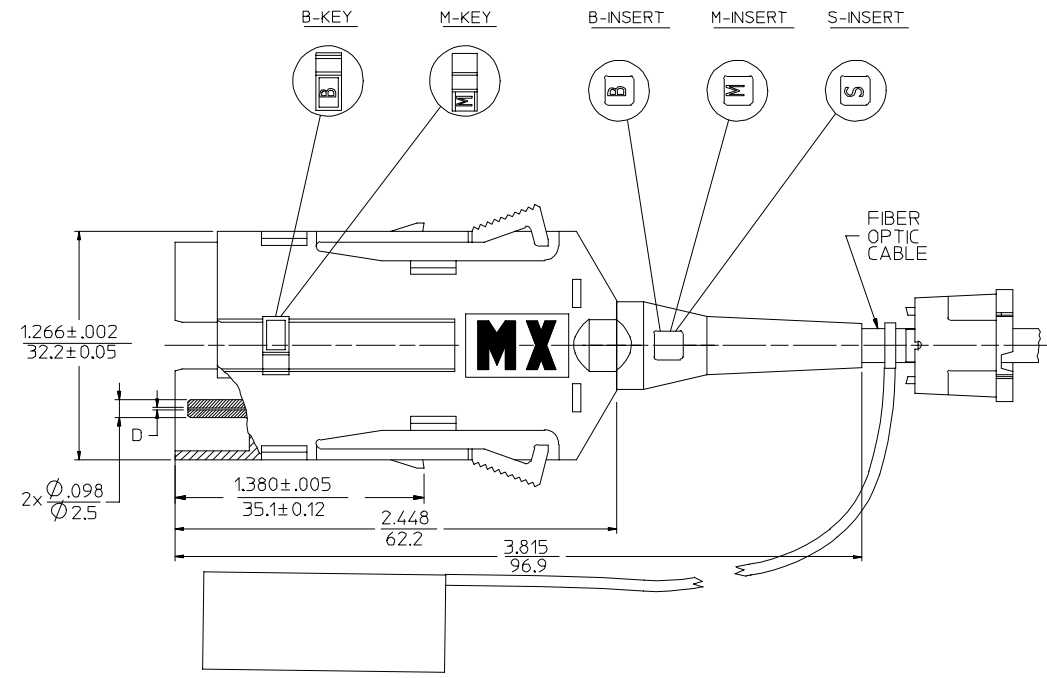
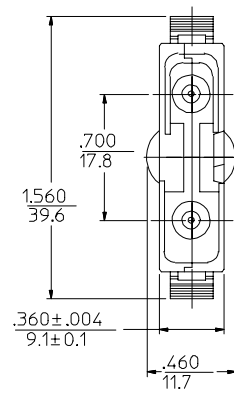


Ø D (4m)	P/N OF CONNECTOR	FERRULE MATERIAL	CONNECTOR COLOR	CABLE TYPE
127	106030-0000	Zr PLUS	BLACK	Ø 4.1 mm NON-PLENUM
	106030-0100			Ø 4.8 mm NON-PLENUM
	106030-0200			ZPCORD
	106030-0210*			MULTIMODE
128	106030-3000	Zr		Ø 4.1 mm NON-PLENUM
	106030-3100			Ø 4.8 mm NON-PLENUM
	106030-3200			ZPCORD



NOTES:
 1. INSERTS "A", "B" AND "M" SHOULD MATCH KEY TYPES "A", "B" AND "M" RESPECTIVELY. CONNECTOR WITHOUT KEY IS "S" TYPE, AND SHOULD HAVE S-INSERT. ORIENTATION OF KEYS AND INSERTS IS AS PER DRAWING.
 2. P/N 106030-0210 IS BULK PACKED IN QUANTITIES OF 100 PCS.

ENTER DESCRIPTION EC NO: MF2006-0424 DRAWN/RPAC IFC I 2006/01/24 CHKD: 2006/01/24 APPR: JGUMIN 2006/01/24 REVISIONS	QUALITY SYMBOLS	GENERAL TOLERANCES (UNLESS SPECIFIED)		DIMENSION STYLE IN/MM		SCALE 2:1	DESIGN UNITS INCH	THIRD ANGLE PROJECTION
	▽=0	mm	INCH	DRAWN BY RPAC IFC I	DATE 2005/12/22	TITLE FDDI CONNECTOR (4.2-4.8 MM CABLE)		
	▽=0	4 PLACES ± --- ± ---	3 PLACES ± --- ± ---	CHECKED BY	DATE	APPROVED BY		
		2 PLACES ± --- ± ---	1 PLACE ± --- ± ---	APPROVED BY		DATE	MATERIAL NO. DOCUMENT NO. SHEET NO.	
DRAFT WHERE APPLICABLE MUST REMAIN WITHIN DIMENSIONS		ANGULAR ±1/2°		SEE TABLE		SD-106030-XX00		1 OF 01
THIS DRAWING CONTAINS INFORMATION THAT IS PROPRIETARY TO MOLEX INCORPORATED AND SHOULD NOT BE USED WITHOUT WRITTEN PERMISSION								