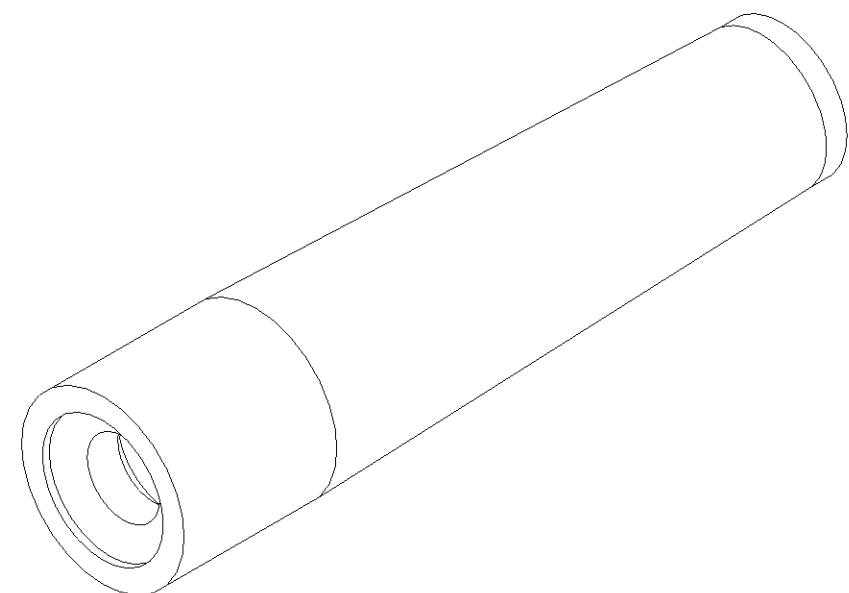
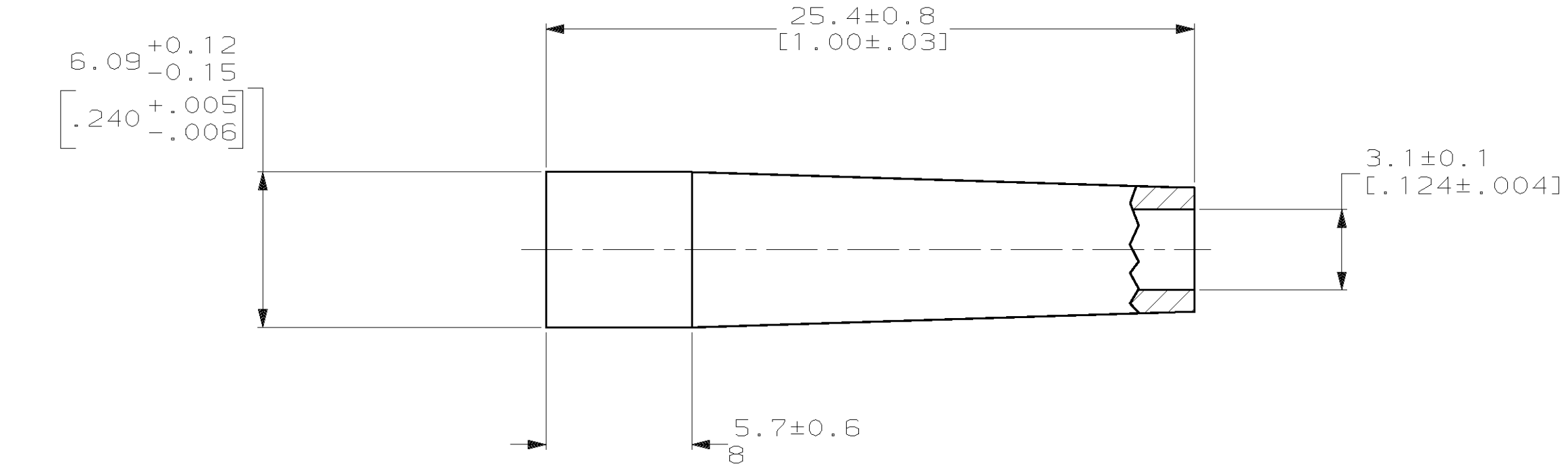


THIS DRAWING IS UNPUBLISHED. RELEASED FOR PUBLICATION, 19 .  
 © COPYRIGHT 19 BY AMP INCORPORATED. ALL INTERNATIONAL RIGHTS RESERVED.

| LOC | DIST | P | F | ZONE | LTR | DESCRIPTION              | DATE    | APPD  |
|-----|------|---|---|------|-----|--------------------------|---------|-------|
| CE  | 16   |   |   |      | G   | REVISED PER 0A00-0546-00 | 19JUL00 | TA/SB |

1. DIMENSIONS IN [ ] ARE IN INCHES.  
 2 BULK PACKAGED, 100 PCS.



| COLOR     | PART NUMBER |
|-----------|-------------|
| ORANGE    | 1-501457-7  |
| APC GREEN | 1-501457-5  |
| WHITE     | 1-501457-3  |
| BLUE      | 1-501457-2  |
| BEIGE     | 1-501457-1  |
| RED       | 1-501457-0  |
| YELLOW    | 501457-9    |
| BLACK     | 501457-8    |

METRIC

|  |  |                            |  |
|--|--|----------------------------|--|
| DO NOT SCALE PRINT. UNLESS SPECIFIED DIMENSIONS IN INCHES TOLERANCES ON:<br>2 PLC DEC ± -<br>3 PLC DEC ± -<br>ANGLES ± - |  | DR R.HILEMAN 2-16-90       | AMP INCORPORATED<br>Harrisburg, Pa. 17105          |
| MATERIAL THERMOPLASTIC ELASTOMER   |  | CHK F.ANTONICELLI 2-16-90  |  |
| FINISH -   |  | APPD F.ANTONICELLI 2-16-90 | NAME BOOT, STRAIN RELIEF, 2.5mm BAYONET, OPTIMATE® |
|  |  | APPD D.COLLINS 2-16-90     | SIZE B   |
|  |  | PRODUCT SPEC -             | FSCM NO 00779                                      |
|  |  | APPLICATION SPEC -         | DRAWING NO 501457                                  |
|  |  | WEIGHT -                   | SCALE 5:1  |
|  |  |                            | SHEET 1 OF 1                                       |