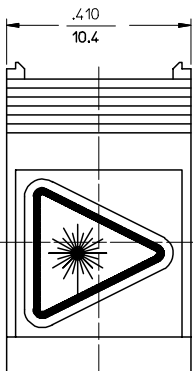
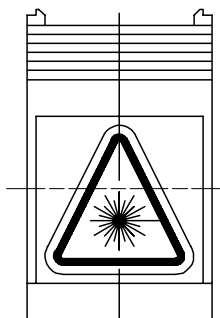


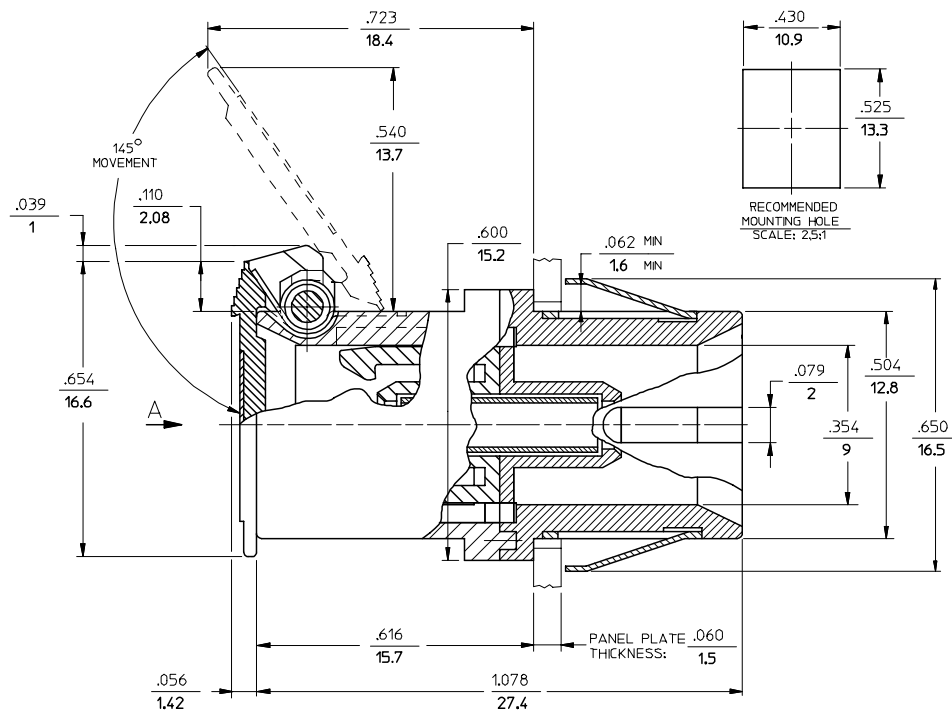
| ADAPTER P/N | SPLIT SLEEVE MATERIAL | COLOR OF ADAPTER | DUST CAP COLOR |
|-------------|-----------------------|------------------|----------------|
| 106170-2400 | ZR | BLACK | GRAY |
| 106170-2420 | | GREEN | |
| 106170-2430 | | RED | |
| 106171-2400 | PHOSPHOR BRONZE | BLACK | GRAY |
| 106171-2420 | | GREEN | |
| 106171-2430 | | RED | |
| 106194-1440 | | BLACK | YELLOW |



VIEW A
VERSION 1



VIEW A
VERSION 2



NOTES:

1. ALL DIMENSIONS ARE GIVEN IN $\frac{\text{INCHES}}{\text{mm}}$
2. LABEL MUST BE INSTALLED AND ORIENTED BY CUSTOMER. (SEE VIEW A)
3. DUST CAP NOT SHOWN.

| | | | | | | | | | | | |
|--|-----------------------------|---|--|-----------------|--|-----------------|--------------|------------------------|--|-----------------------------|--|
| ENTER DESCRIPTION EC NO: MF2007-0207 DRWNR:REV:ZNER 2006/09/22 CHKD: 2006/09/22 APPR: JGUMIN 2006/09/22 REV: A1 | QUALITY SYMBOLS =0 =0 | GENERAL TOLERANCES (UNLESS SPECIFIED) | | DIMENSION STYLE | | SCALE | DESIGN UNITS | THIRD ANGLE PROJECTION | | | |
| | | | | IN/MM | | 4:1 | | INCH | | BSC- 2 ADAPTER WITH SHUTTER | |
| | | 4 PLACES ± --- ± --- 3 PLACES ± --- ± --- 2 PLACES ± --- ± --- 1 PLACE ± --- ± --- | | DRAWN BY DATE | | CHECKED BY DATE | | APPROVED BY DATE | | MATERIAL NO. DOCUMENT NO. | |
| | | ANGULAR ±1/2° | | SEE TABLE | | SD-10617Y-24Y0 | | SHEET NO. 1 OF 1 | | MOLEX INCORPORATED | |
| DRAFT WHERE APPLICABLE MUST REMAIN WITHIN DIMENSIONS | | THIS DRAWING CONTAINS INFORMATION THAT IS PROPRIETARY TO MOLEX INCORPORATED AND SHOULD NOT BE USED WITHOUT WRITTEN PERMISSION | | | | | | | | | |