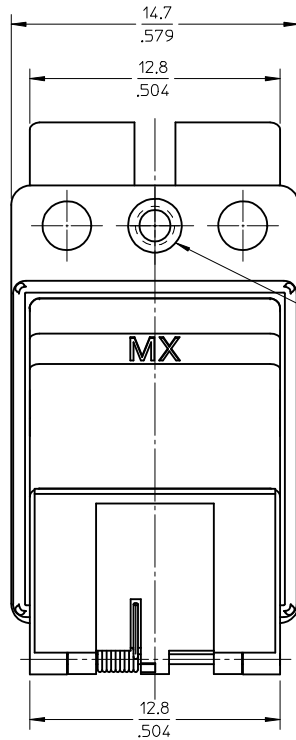
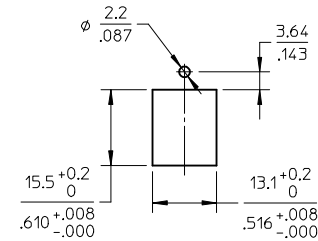
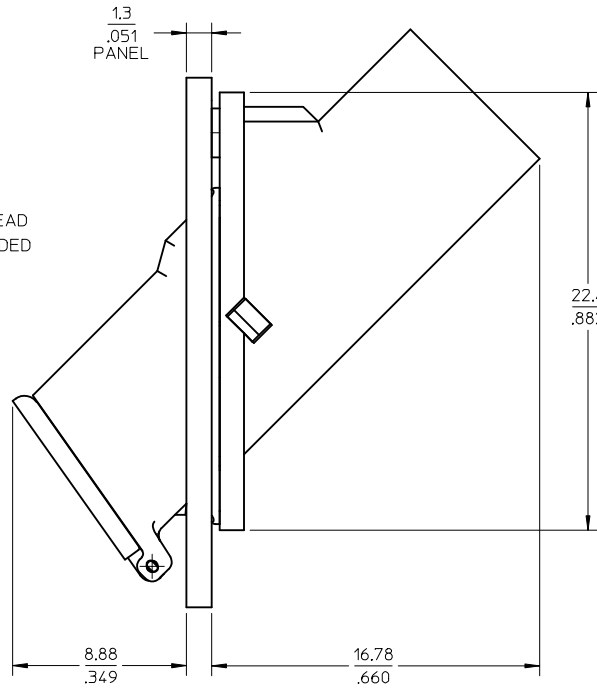


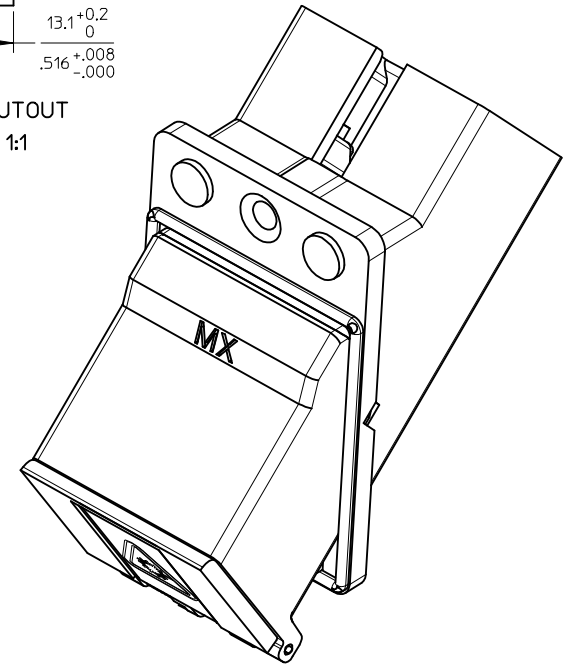
ADAPTER P/N	ADAPTER TYPE	HOUSING COLOR
1061164500	SINGLE MODE	BLUE
1061164510	MULTIMODE	BEIGE
1061164520	APC	GREEN



M2x0.4
4mm LONG FLATHEAD
SCREW RECOMMENDED



PANEL CUTOUT
SCALE 1:1



NOTE:
ALL ADAPTER DIMENSIONS ARE FOR REFERENCE ONLY

ENTER DESCRIPTION EC NO: MF2009-0065 DRAWN: KPEVZNER 2008/08/11 CHKD: LGUMIN 2013/05/03 APPR: LGUMIN	QUALITY SYMBOLS ▽=0 ▽7=0	GENERAL TOLERANCES (UNLESS SPECIFIED)		DIMENSION STYLE MM/IN	SCALE 4:1	DESIGN UNITS METRIC	THIRD ANGLE PROJECTION
		4 PLACES ± .008 ± .008 3 PLACES ± .008 ± .008 2 PLACES ± .008 ± .008 1 PLACE ± .008 ± .008	mm INCH	DRAWN BY DATE SERNST 2006/06/23	TITLE SC 45 DEGREE EMI ADAPTER SCREW MOUNT VERSION		
		ANGULAR ± 1 °	DRAFT WHERE APPLICABLE MUST REMAIN WITHIN DIMENSIONS	CHECKED BY DATE DSZILAGYI 2006/07/12	MOLEX INCORPORATED		
	A4	MATERIAL NO. SEE TABLE SIZE B	APPROVED BY DATE SMIGO 2006/07/12	DOCUMENT NO. SD-106116-4500	SHEET NO. 1 OF 1		