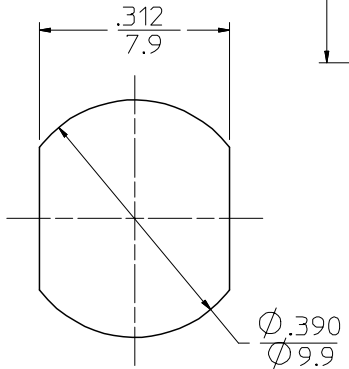
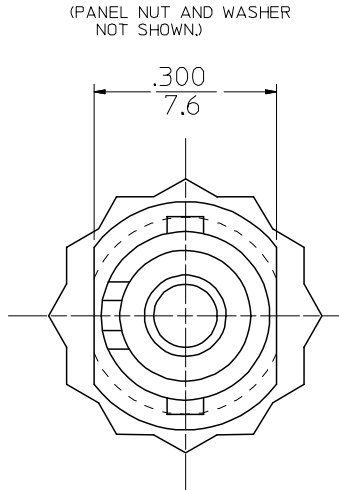
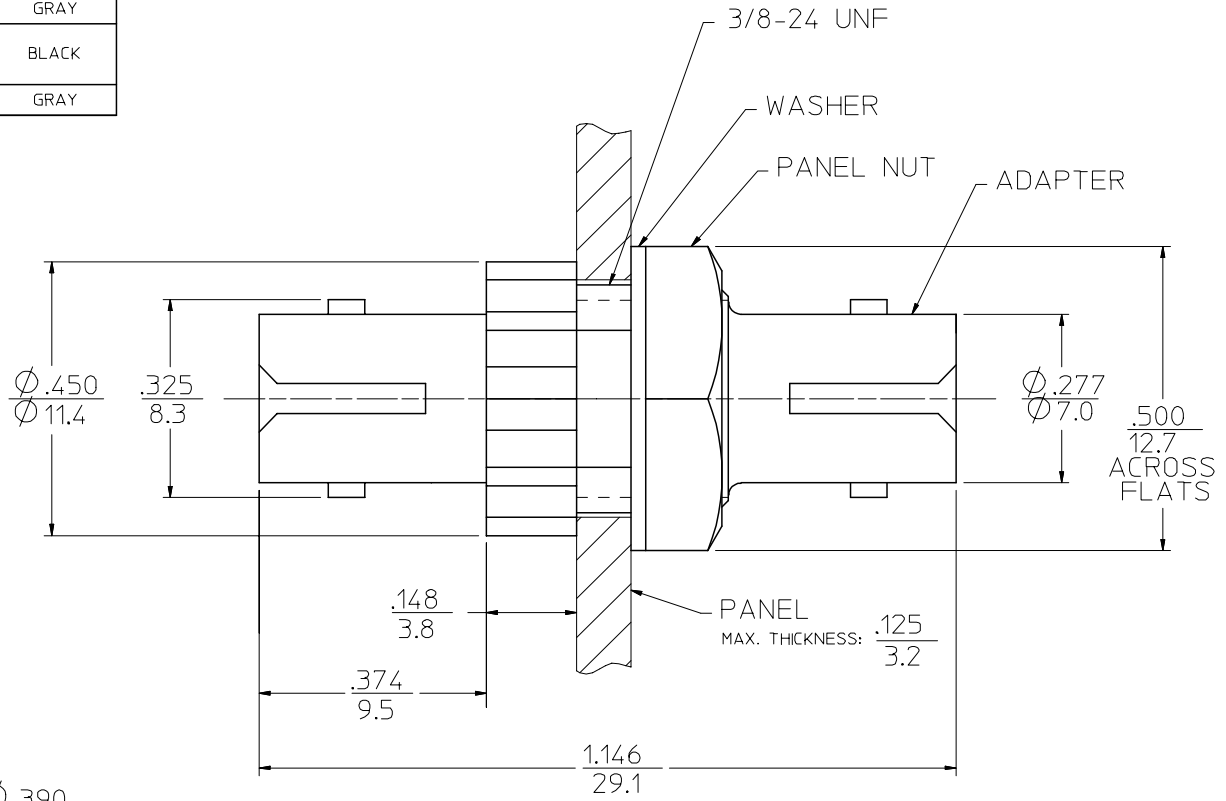


| P/N of ADAPTER | MATERIAL of SLEEVE | COLOR of DUST CAP | COLOR of BODY |
|----------------|--------------------|-------------------|---------------|
| 106110-0000 | CERAMIC | BLACK | BLACK |
| 106196-0430 | | RED | BLACK |
| 106110-0040 | | BLACK | YELLOW |
| 106110-0090 | | | GRAY |
| 106112-0000 | PHOSPHOR BRONZE | RED | BLACK |
| 106113-0000 | PLASTIC | | BLACK |
| 106113-0090 | | | GRAY |



RECOMMENDED MOUNTING HOLE

| | | | | | |
|--|---|--|--|--|--------------------------|
| ENTER DESCRIPTION EC NO: MF2007-0165 DRWNG: DRWNGKPEVZNER CHKD: 2006/09/07 APPR: IGUMIN 2006/09/11 REV B1 | QUALITY SYMBOLS ▽=0 ▽=0 | GENERAL TOLERANCES (UNLESS SPECIFIED) mm INCH 4 PLACES ± --- ± --- 3 PLACES ± --- ± --- 2 PLACES ± --- ± --- 1 PLACE ± --- ± --- ANGULAR ±1/2° | DIMENSION STYLE IN/MM DRAWN BY PGIBL IN DATE 2005/10/18 CHECKED BY DATE APPROVED BY DATE | SCALE 4:1 DESIGN UNITS INCH THIRD ANGLE PROJECTION | TITLE ST TYPE ADAPTER |
| | DRAFT WHERE APPLICABLE MUST REMAIN WITHIN DIMENSIONS | | MATERIAL NO. SEE TABLE SIZE B | DOCUMENT NO. SD-10611X-00X0 MOLEX INCORPORATED | SHEET NO. 1 OF 1 |
| | THIS DRAWING CONTAINS INFORMATION THAT IS PROPRIETARY TO MOLEX INCORPORATED AND SHOULD NOT BE USED WITHOUT WRITTEN PERMISSION | | | | |
| | MILEX INCORPORATED | | | | |