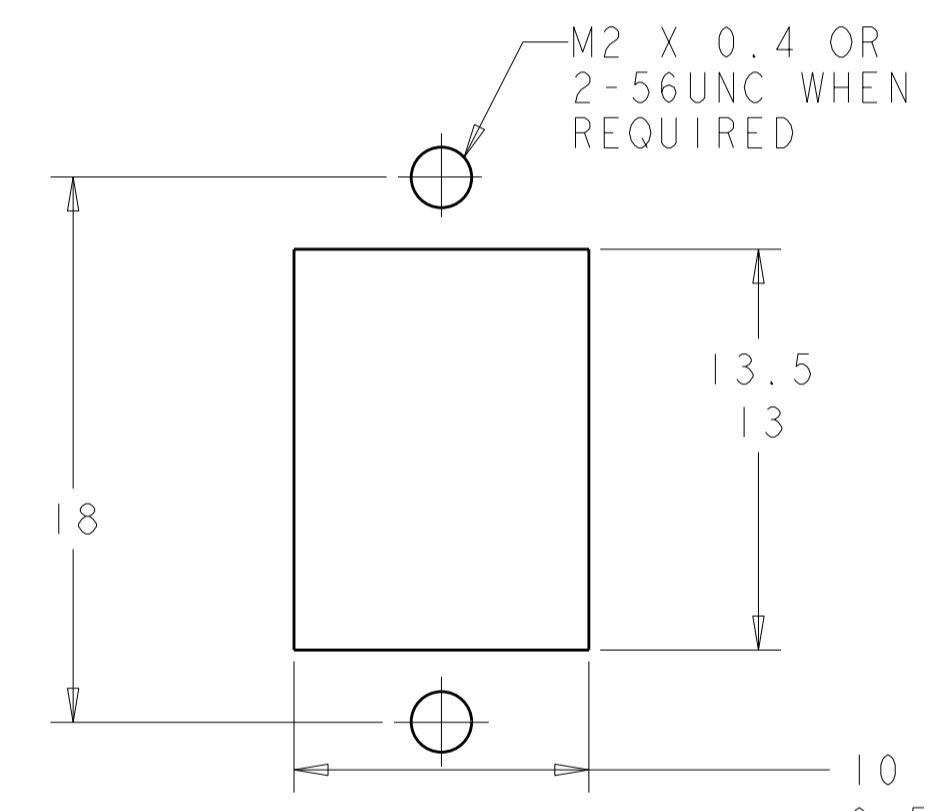
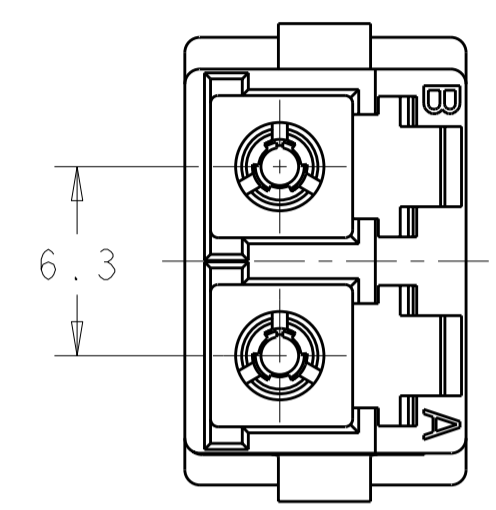
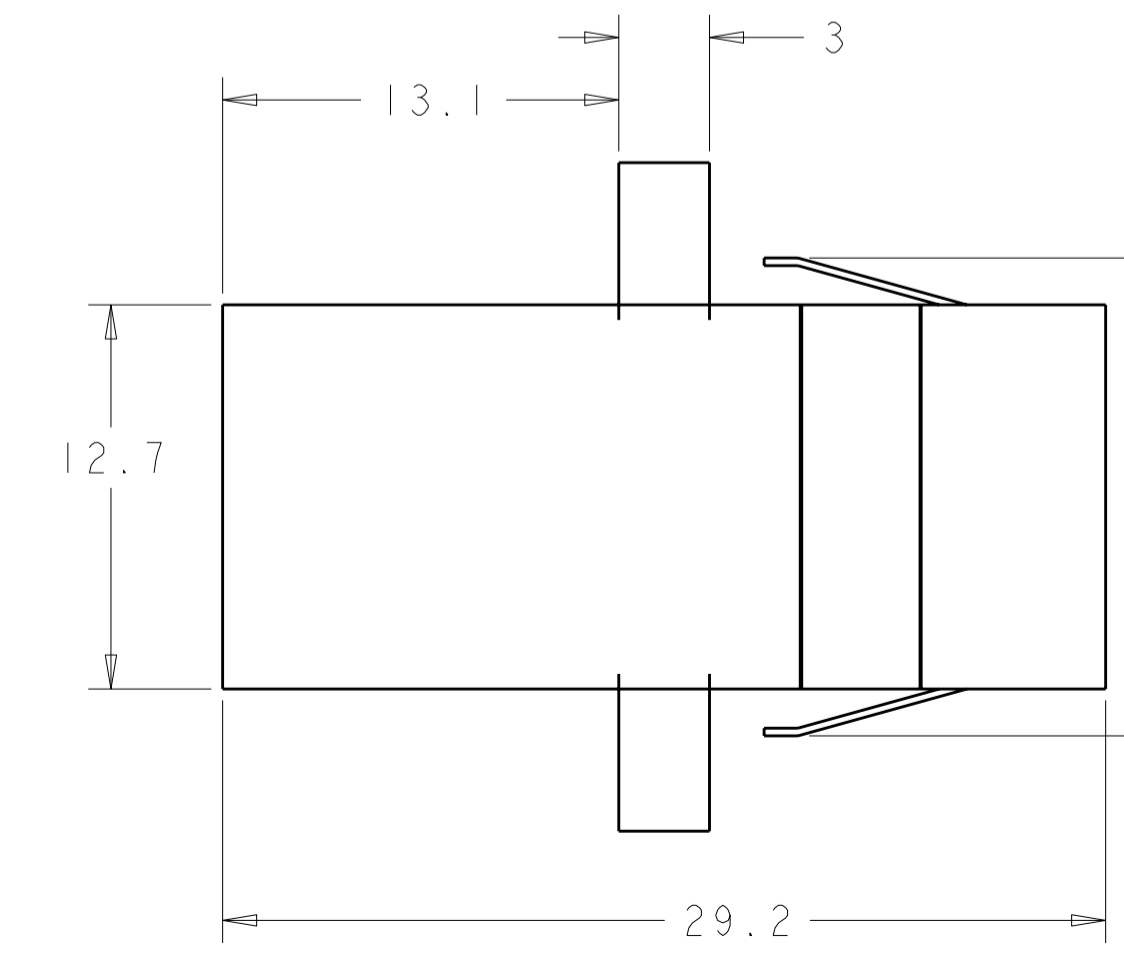
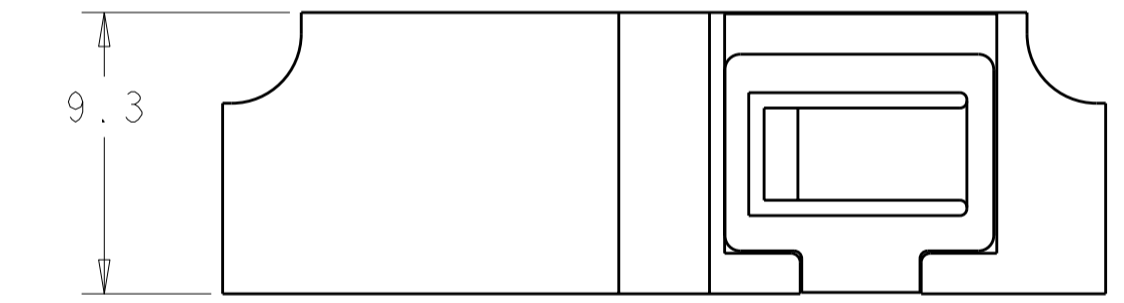
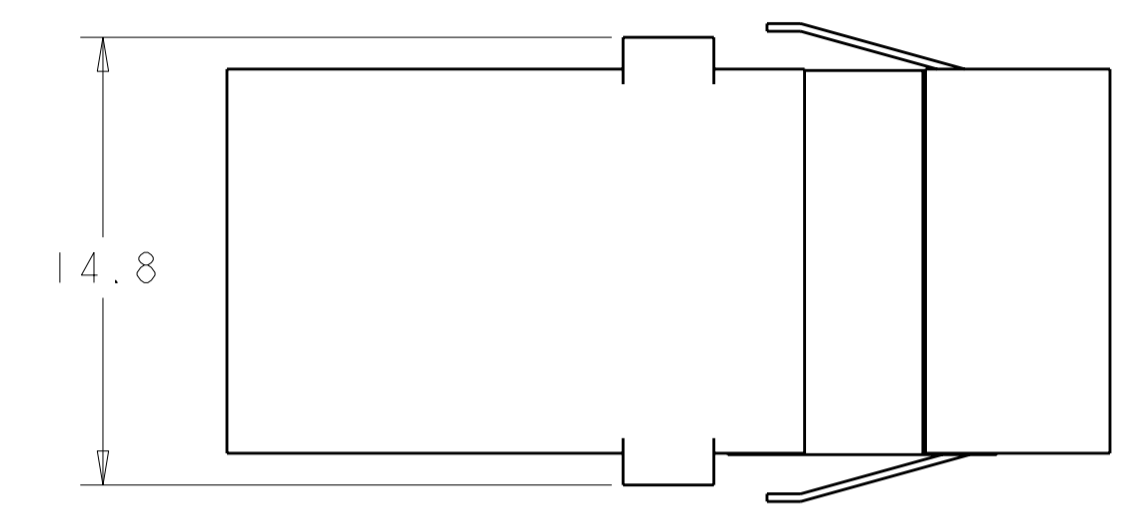
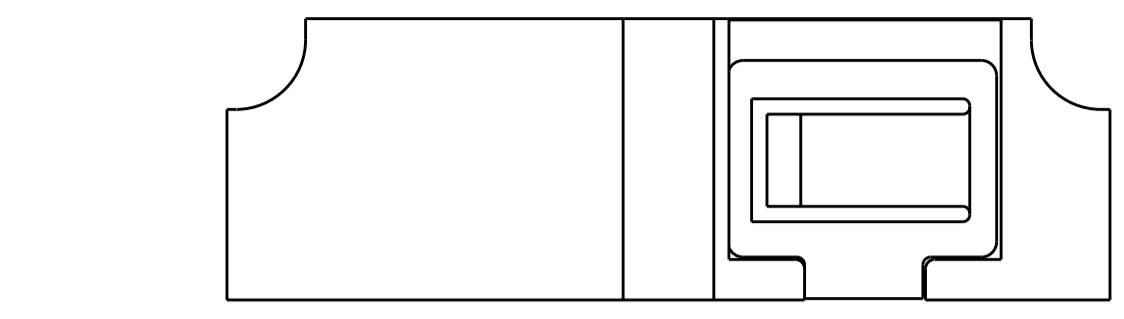


THIS DRAWING IS UNPUBLISHED. RELEASED FOR PUBLICATION
 © COPYRIGHT - ALL RIGHTS RESERVED.

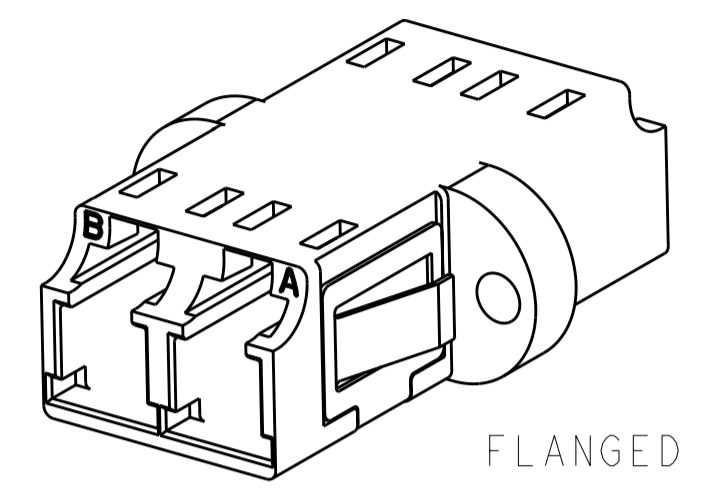
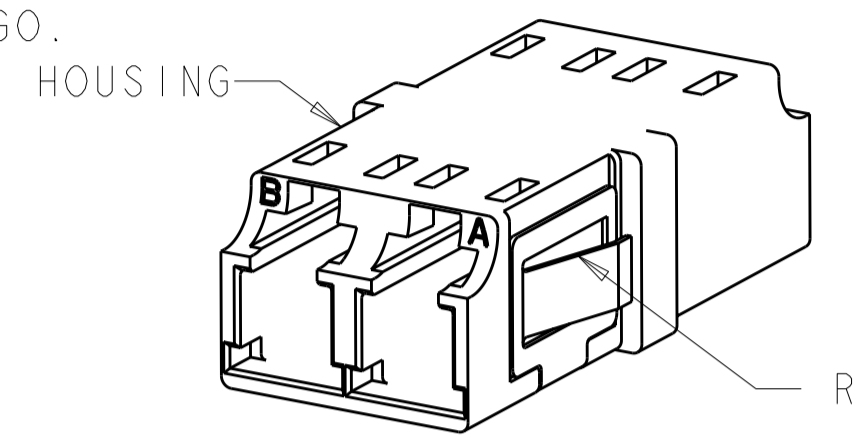
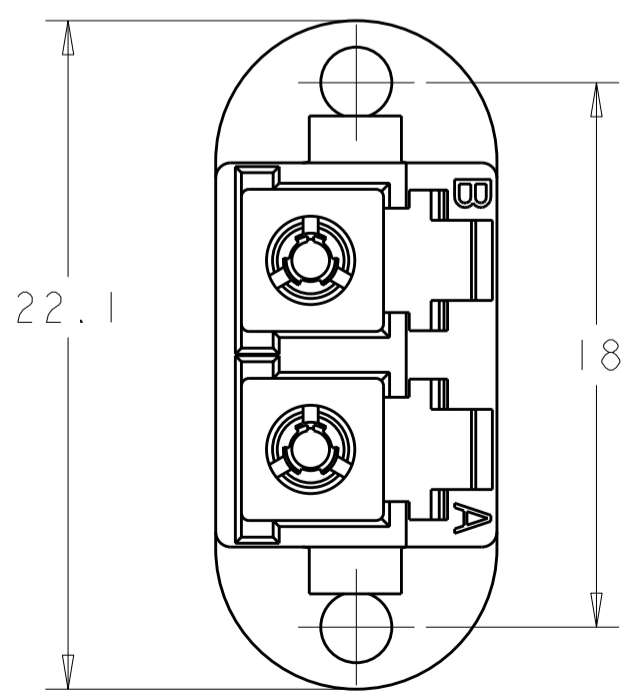
LOC	DIST	REVISIONS			
P	LTR	DESCRIPTION	DATE	DWN	APVD
HG	-				
E		REVISE PER ECR 07-008306	20APR2007	BB	CB
F		REVISE PER ECR-08-017519	15JUL2008	BB	CB
F1		REVISE PER ECR-10-005865	26MAR2010	IL	CT
F2		REVISE PER ECR-10-024519	06MAY2011	LL	CT

⚠ MATERIAL:
 HOUSING: THERMOPLASTIC, UL 94-V0
 PROTECTIVE PLUGS: THERMOPLASTIC ELASTOMER
 ALIGNMENT SLEEVES: SEE TABLE
 RETENTION CLIP: SST

- 2. DUPLEX PROTECTIVE PLUGS ARE SUPPLIED, NOT SHOWN.
- ⚠ RETENTION CLIP IS NOT INCLUDED.
- ⚠ ADAPTER HAS A LOGO.



RECOMMENDED PANEL CUTOUT
 MAX PANEL THK 1.7



FLANGED
 SCALE 3:1

FLANGELESS
 SCALE 3:1

⚠4	CERAMIC	BEIGE	FLANGED	2-6457567-5
⚠4	CERAMIC	BLUE	FLANGED	2-6457567-4
⚠4	CERAMIC	BEIGE	FLANGELESS	2-6457567-3
⚠4	CERAMIC	BLUE	FLANGELESS	2-6457567-2
	METAL	BLACK	FLANGED	2-6457567-1
	METAL	AQUA	FLANGED	2-6457567-0
	METAL	BLACK	FLANGELESS	1-6457567-9
	METAL	AQUA	FLANGELESS	1-6457567-8
	CERAMIC	BLACK	FLANGED	1-6457567-7
	CERAMIC	AQUA	FLANGED	1-6457567-6
	CERAMIC	BLACK	FLANGELESS	1-6457567-5
	CERAMIC	AQUA	FLANGELESS	1-6457567-4
	METAL	BLUE	FLANGED	1-6457567-3
⚠3	CERAMIC	BLUE	FLANGELESS	1-6457567-2
⚠3	CERAMIC	BEIGE	FLANGELESS	1-6457567-1
⚠3	CERAMIC	BLUE	FLANGED	1-6457567-0
⚠3	CERAMIC	BEIGE	FLANGED	6457567-9
	METAL	BEIGE	FLANGED	6457567-8
	METAL	BEIGE	FLANGELESS	6457567-7
SUPERSEDED BY: 2125019-2	CERAMIC	GREEN	FLANGED	6457567-6
	CERAMIC	BEIGE	FLANGED	6457567-5
	CERAMIC	BLUE	FLANGED	6457567-4
SUPERSEDED BY: 2125019-1	CERAMIC	GREEN	FLANGELESS	6457567-3
	CERAMIC	BEIGE	FLANGELESS	6457567-2
	CERAMIC	BLUE	FLANGELESS	6457567-1

SLEEVE MAT'L HOUSING COLOR DESCRIPTION PART NUMBER

THIS DRAWING IS A CONTROLLED DOCUMENT.		DWN E. HOPKINS 03JUN2005	TE Connectivity	
DIMENSIONS: mm		CHK D. ROHDE 03JUN2005		
TOLERANCES UNLESS OTHERWISE SPECIFIED:		APVD S. BUCHTER 03JUN2005		
0 PLC ±0.1 1 PLC ±0.1 2 PLC ±0.1 3 PLC ± 4 PLC ± ANGLES ± FINISH ±		PRODUCT SPEC - APPLICATION SPEC - WEIGHT -		
MATERIAL		NAME ADAPTER, DUPLEX LC, SR-SR, SC ENVELOPE		RESTRICTED TO -
CUSTOMER DRAWING		SCALE 4:1	SHEET 1 OF 1	REV F2