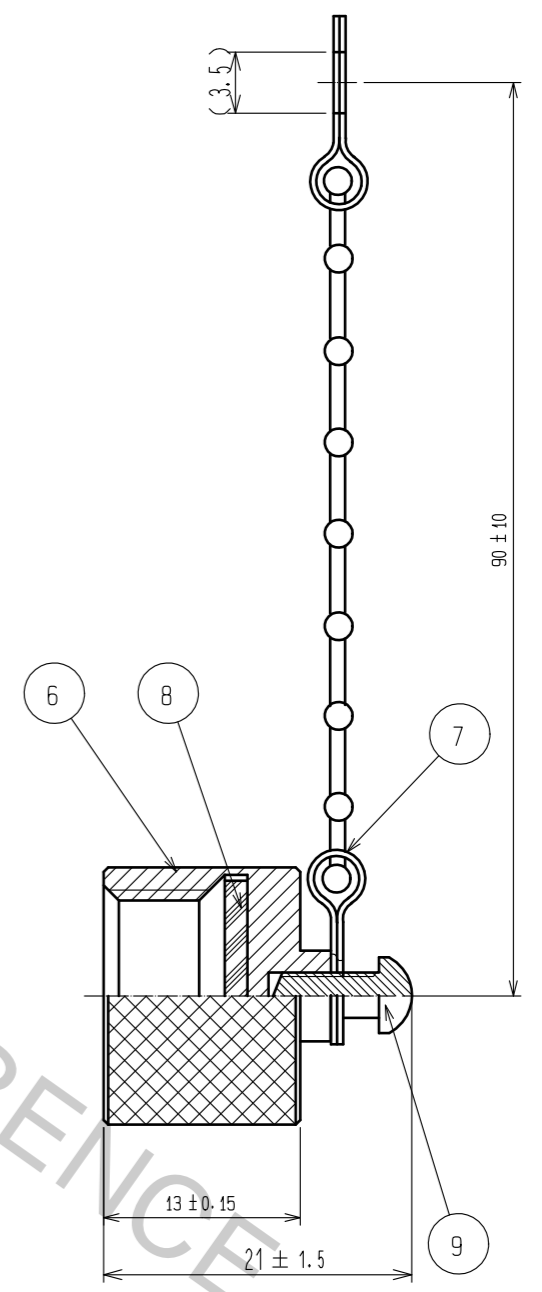
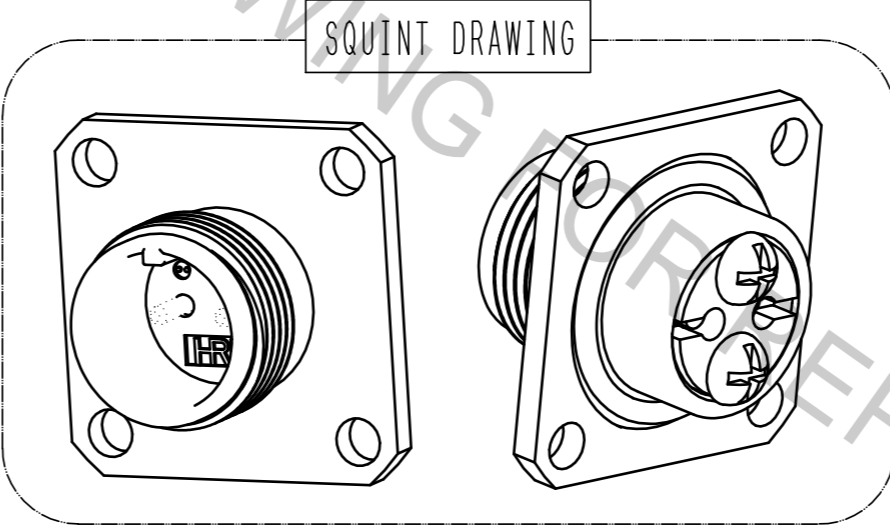
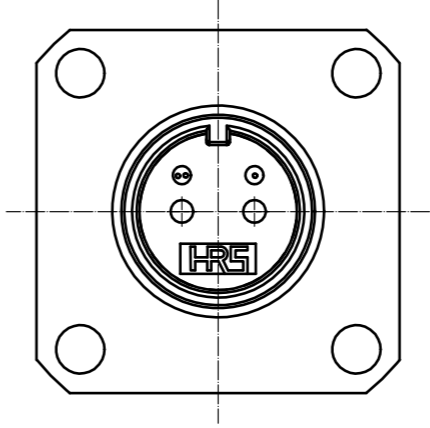
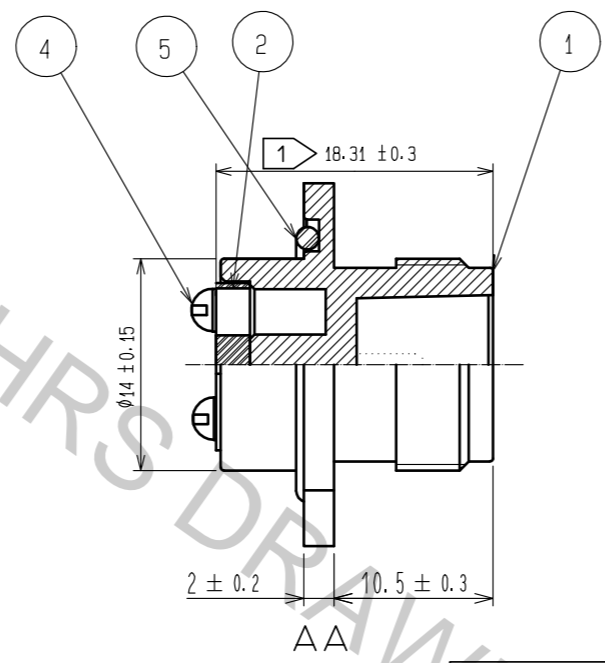
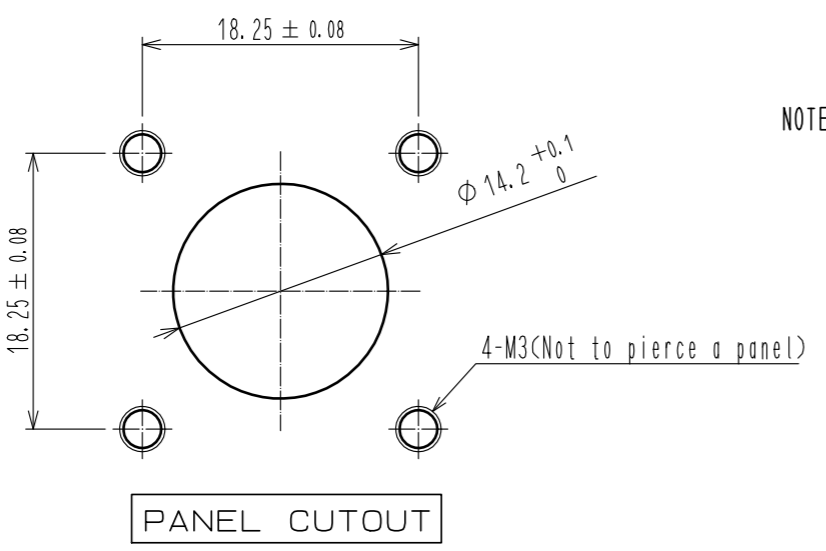
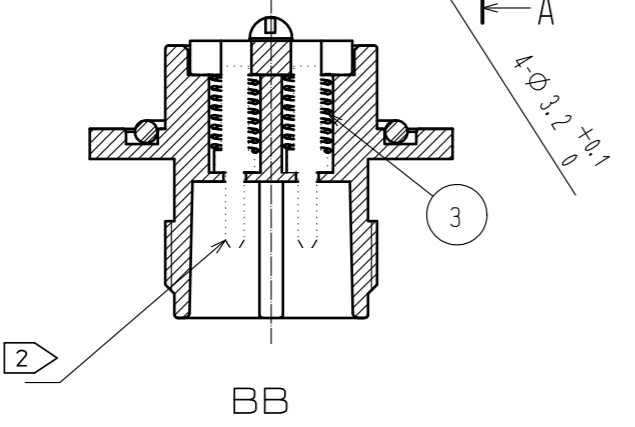
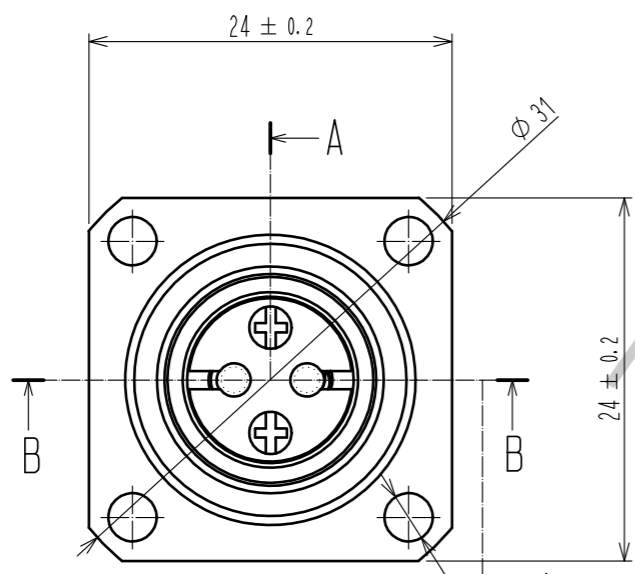


Aug.1.2018 Copyright 2018 HIROSE ELECTRIC CO., LTD. All Rights Reserved.  
 In case that the application demands a high level of reliability, such as automotive,  
 please contact a company representative for further information.



NOTE 1 THIS DIMENSION SHOWS AFTER ASSEMBLING.  
 2 THIS PART IS NOT CONTAINED. PLEASE USE AN OPTIONAL MU FERRULE.

NO.	MATERIAL	FINISH . REMARKS	NO.	MATERIAL	FINISH . REMARKS
5	SYNTHETIC RUBBER		9	STAINLESS STEEL	NYELOCK
4	STAINLESS STEEL		8	SYNTHETIC RUBBER	
3	PIANO WIRE	ZINC PLATING	7	STAINLESS STEEL	
2	SYNTHETIC RESIN		6	ALUMINIUM ALLOY	ANODIC OXIDE COATING
1	ZINC DIECAST	CHROME PLATING			

UNITS	SCALE	COUNT	DESCRIPTION OF REVISIONS	DESIGNED	CHECKED	DATE
mm	2 : 1	△				
APPROVED : MT. SHIBUTANI			18.02.02	DRAWING NO. EDC-176807-31-00		
CHECKED : FS. YOSHIDA			18.02.02	PART NO. MF10S-WDRFG01-0200(31)		
DESIGNED : TY. SATO			18.02.02	CODE NO. CL709-0578-5-31		
DRAWN : MK. INOUE			18.02.02	1/1		