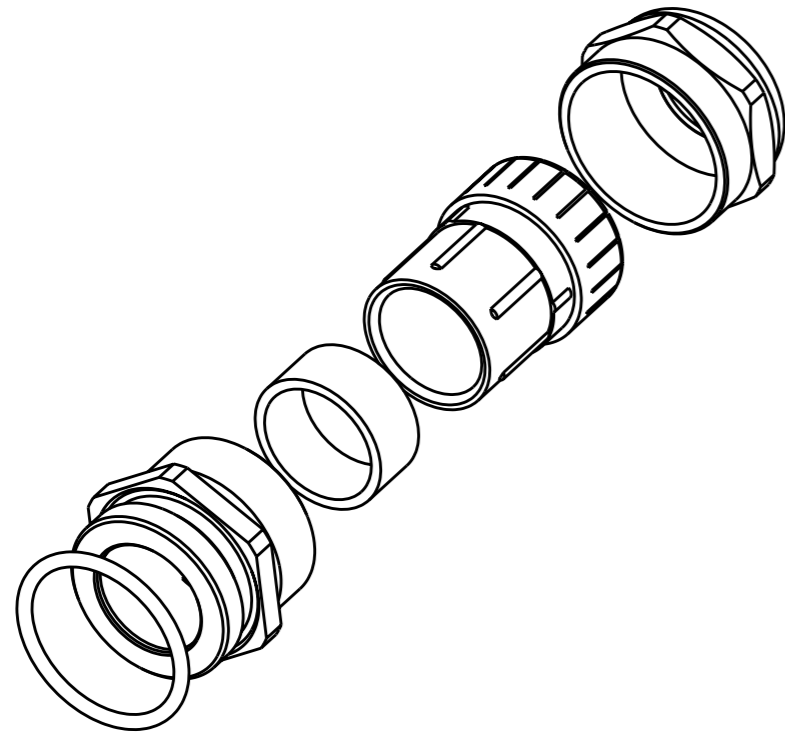


LOC  
A1

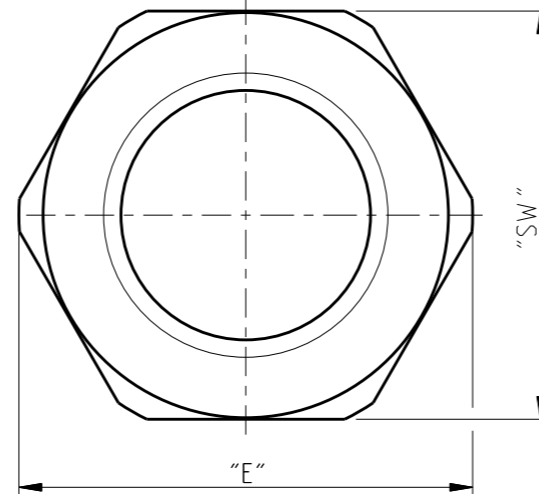
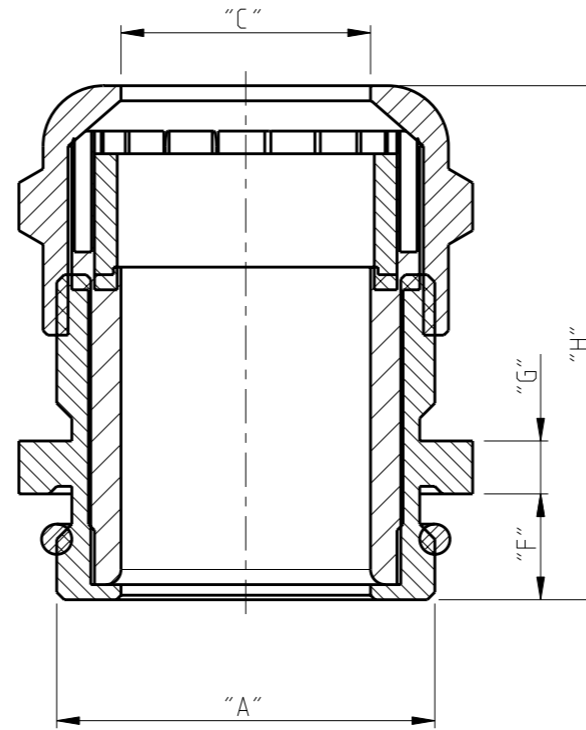
DIST  
-

REVISIONS

P	LTR	DESCRIPTION	DATE	DWN	APVD
	A2	ECR-08-019210	19OCT2009	AR	ST



SCALE 1:1



M50	M50x1.5	Ø35.3	Ø60	9	4.5	47.5	55
M40	M40x1.5	Ø27.3	Ø46	8	4.5	41	43
M32	M32x1.5	Ø21.3	Ø36	8	4.5	38	34
M25	M25x1.5	Ø16.3	Ø30	7	3.5	36.5	27
M20	M20x1.5	Ø13.3	Ø24	6	3.5	33	22
M16	M16x1.5	Ø9.1	Ø19	5	3	29	17
SIZE	A	C	E	F	G	H max.	SW

DIMENSIONS

THIS DRAWING IS A CONTROLLED DOCUMENT FOR TYCO ELECTRONICS CORPORATION IT IS SUBJECT TO CHANGE AND THE CONTROLLING ENGINEERING ORGANIZATION SHOULD BE CONTACTED FOR THE LATEST REVISION.

DWN Schneider 20.02.2002

CHK Braun 20.02.2002

APVD -

PRODUCT SPEC -

APPLICATION SPEC -

WEIGHT -

CUSTOMER DRAWING



Tyco Electronics.AMP.GmbH  
D-53757 Sankt Augustin, Germany

NAME  
CABLE GLAND ASSY  
SERIES EMV, METRIC

SIZE	CAGE CODE	DRAWING NO	RESTRICTED TO
A3	00779	©=1102772	-

DIMENSIONS:	TOLERANCES UNLESS OTHERWISE SPECIFIED:
mm	
	0 PLC ± n.ISO 8015
	1 PLC ± n.ISO 2768-mH-E
	2 PLC ± n.DIN 16901-120
	3 PLC ±
	4 PLC ±
	ANGLES ±

MATERIAL - FINISH -

SCALE 2:1 SHEET 1 OF 1 REV A2