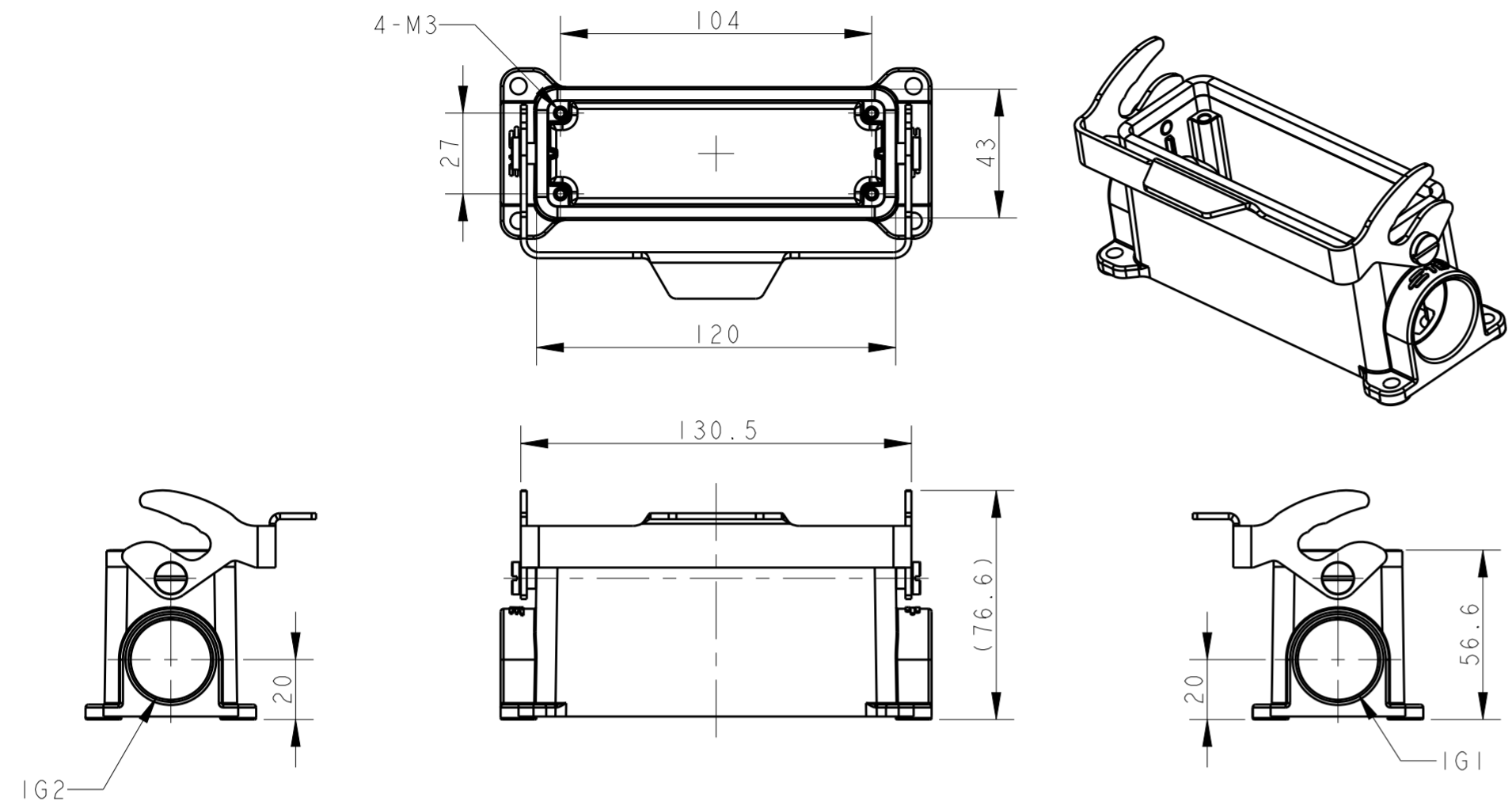
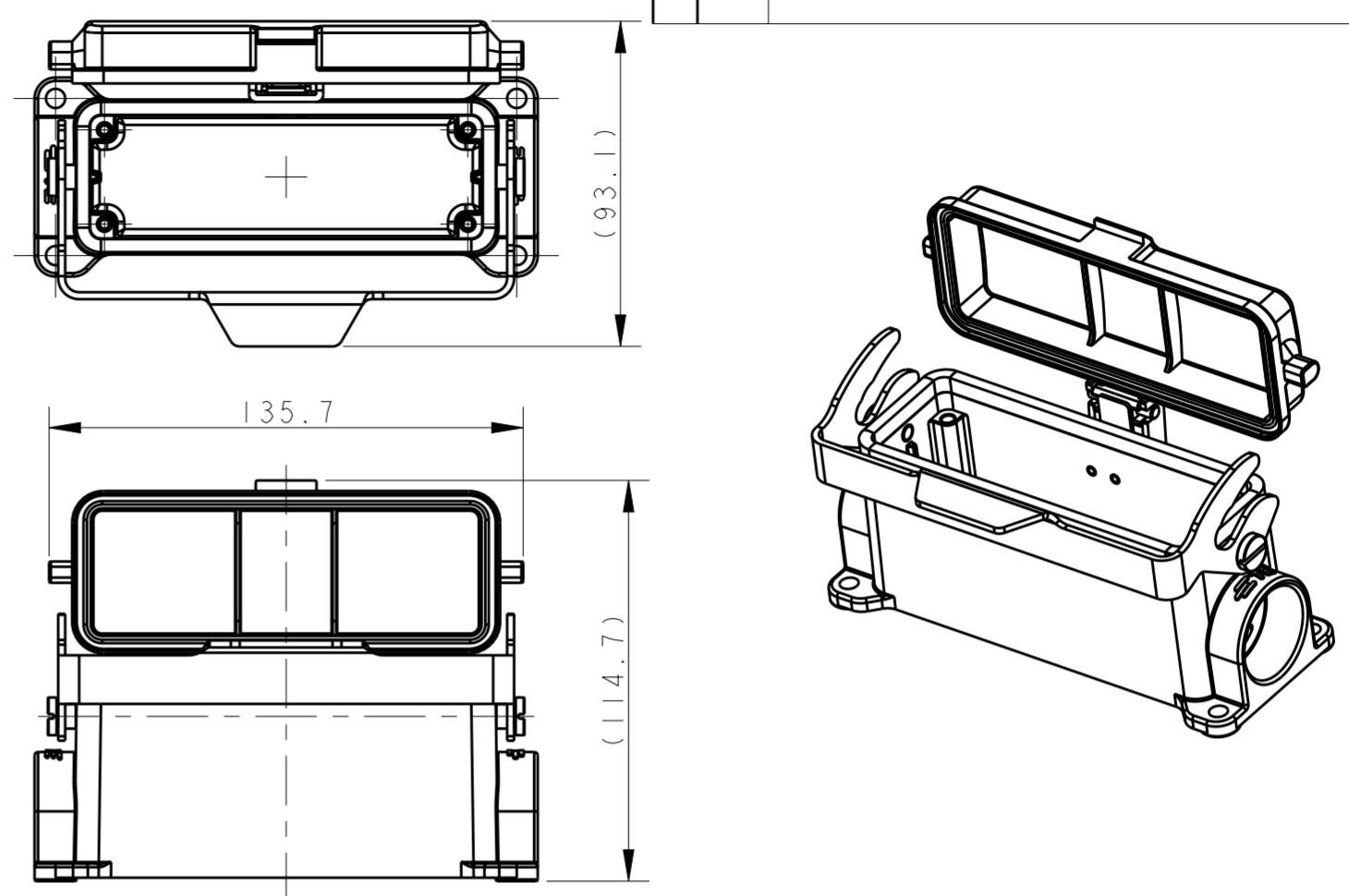


THIS DRAWING IS UNPUBLISHED. RELEASED FOR PUBLICATION 20
 © COPYRIGHT 20 BY - ALL RIGHTS RESERVED.

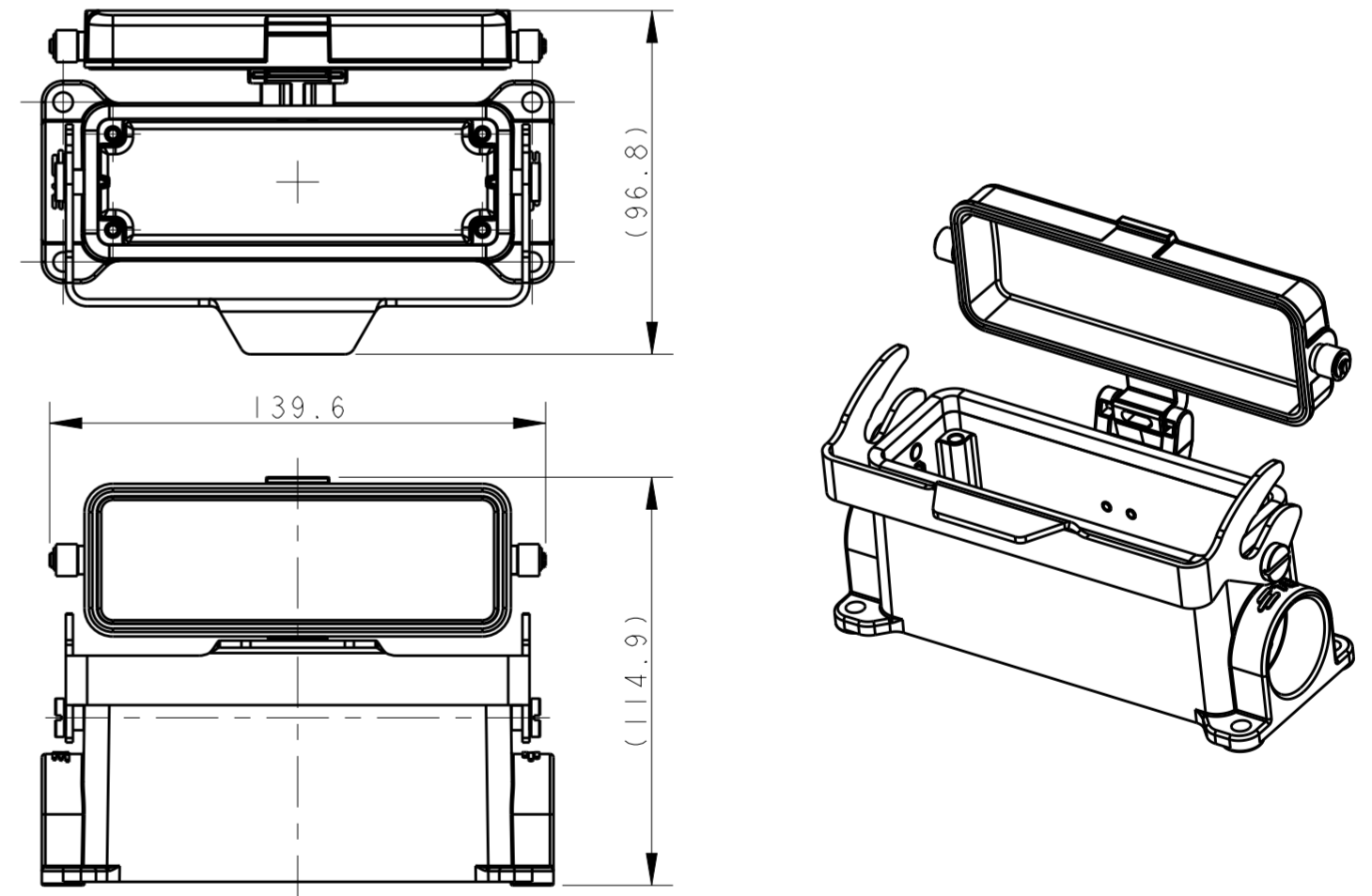
REVISIONS				
P	LTR	DESCRIPTION	DATE	APVD
A		INITIAL RELEASE	02JUL2015	DL CW



TYPE 1: BODY + SINGLE STEEL LOCKING



TYPE 2: BODY + SINGLE STEEL LOCKING + PLASTIC PROTECTION COVER
 OTHER SPEC REFER TO TYPE 1



TYPE 3: BODY + SINGLE STEEL LOCKING + METAL PROTECTION COVER
 OTHER SPEC REFER TO TYPE 1

NOTES:
 1. TECHNICAL CHARACTERISTICS:
 BODY MATERIAL: DIE CAST ALUMINIUM ALLOY
 SURFACE TREATMENT: POWDER-COATED, GRAY
 OPERATION TEMPERATURE: -40-+125°C
 DEGREE OF PROTECTION: IP65 (MATED)

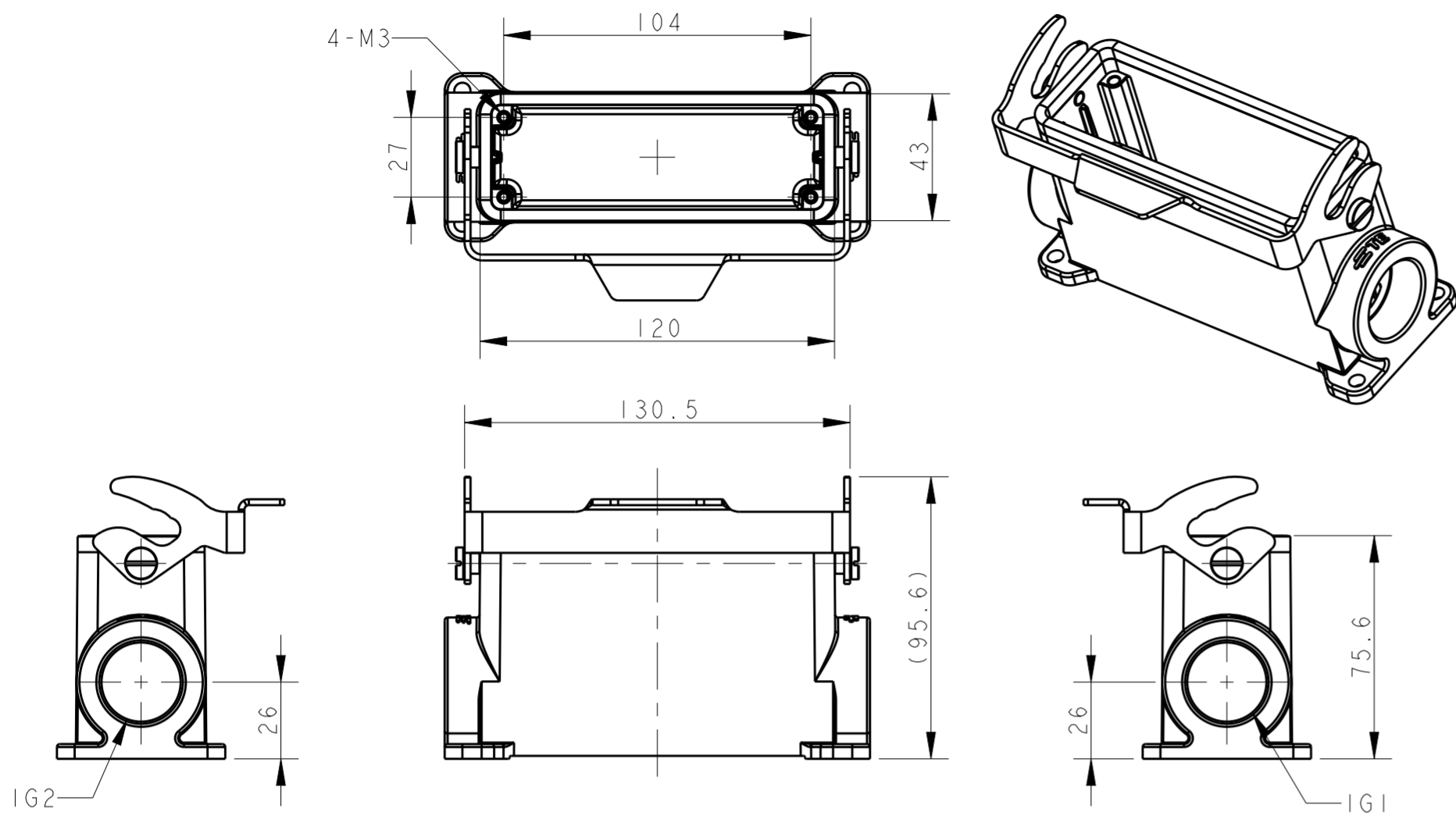
注释:
 1. 技术参数:
 主体材料: 铝合金
 表面处理: 粉末喷涂, 灰色
 工作温度: -40-+125°C
 防护等级: IP65(配合)

ASSEMBLY PART NUMBER	TYPE	ASSEMBLY PART DESCRIPTION	IG1	IG2
TI610243121-000	TYPE 1	H24B-SGR-LB-PG21	PG21	-
TI610243125-000		H24B-SGR-LB-M25	M25	-
TI610243221-000		H24B-SGR-LB-2PG21	PG21	PG21
TI610243225-000	TYPE 2	H24B-SGR-LB-2M25	M25	M25
TI620243121-000		H24B-SDR-LB-PG21	PG21	-
TI620243125-000		H24B-SDR-LB-M25	M25	-
TI620243221-000	TYPE 3	H24B-SDR-LB-2PG21	PG21	PG21
TI620243225-000		H24B-SDR-LB-2M25	M25	M25
TI620243421-000		H24B-SDRM-LB-PG21	PG21	-
TI620243425-000	TYPE 3	H24B-SDRM-LB-M25	M25	-
TI620243321-000		H24B-SDRM-LB-2PG21	PG21	PG21
TI620243325-000		H24B-SDRM-LB-2M25	M25	M25

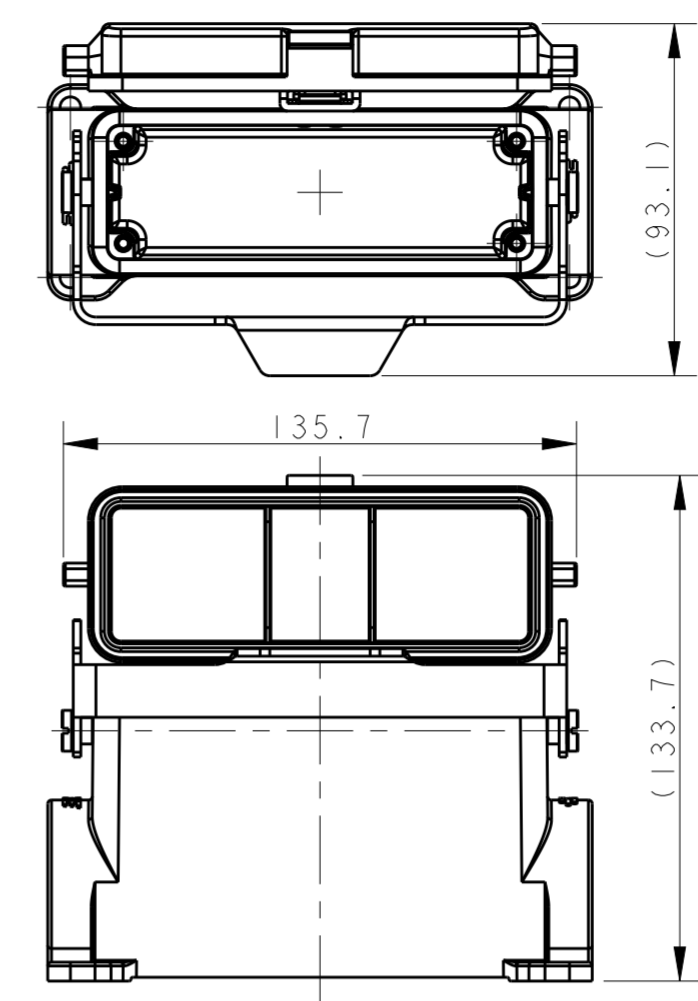
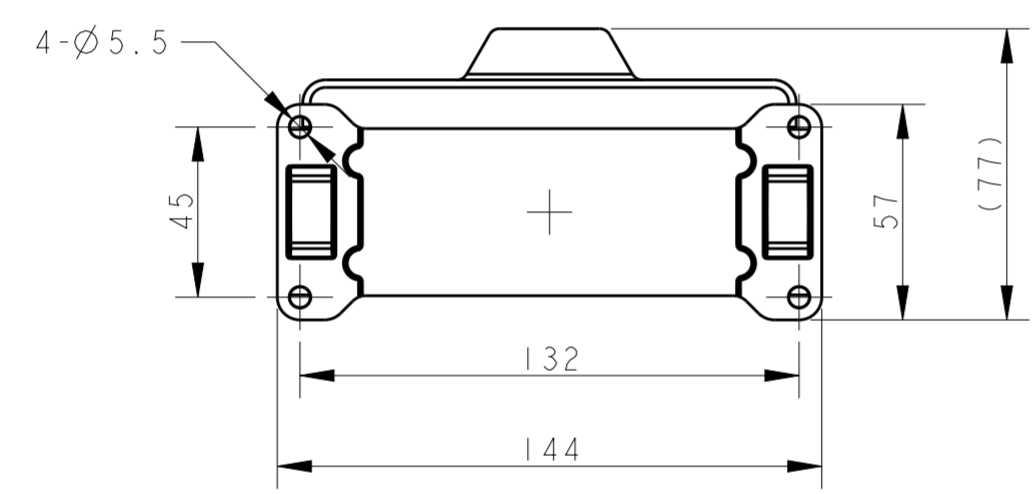
THIS DRAWING IS A CONTROLLED DOCUMENT.		DWN DAVID LI 02JUL2015	TE Connectivity	
DIMENSIONS: mm		CHK CHRIS WANG 02JUL2015		
TOLERANCES UNLESS OTHERWISE SPECIFIED:		APVD XU XIANG 02JUL2015	NAME H24B-SGR/SDR/SDRM-LB-PG/M	
		PRODUCT SPEC 108-137013	SIZE A2	
MATERIAL TBD		APPLICATION SPEC 114-137013	CAGE CODE -	DRAWING NO. C-T16X0243XXXX00
FINISH -		WEIGHT -	RESTRICTED TO -	SCALE 1:2
		Customer Drawing	SHEET 1 OF 2	REV A

THIS DRAWING IS UNPUBLISHED. RELEASED FOR PUBLICATION 20
 © COPYRIGHT 20 BY - ALL RIGHTS RESERVED.

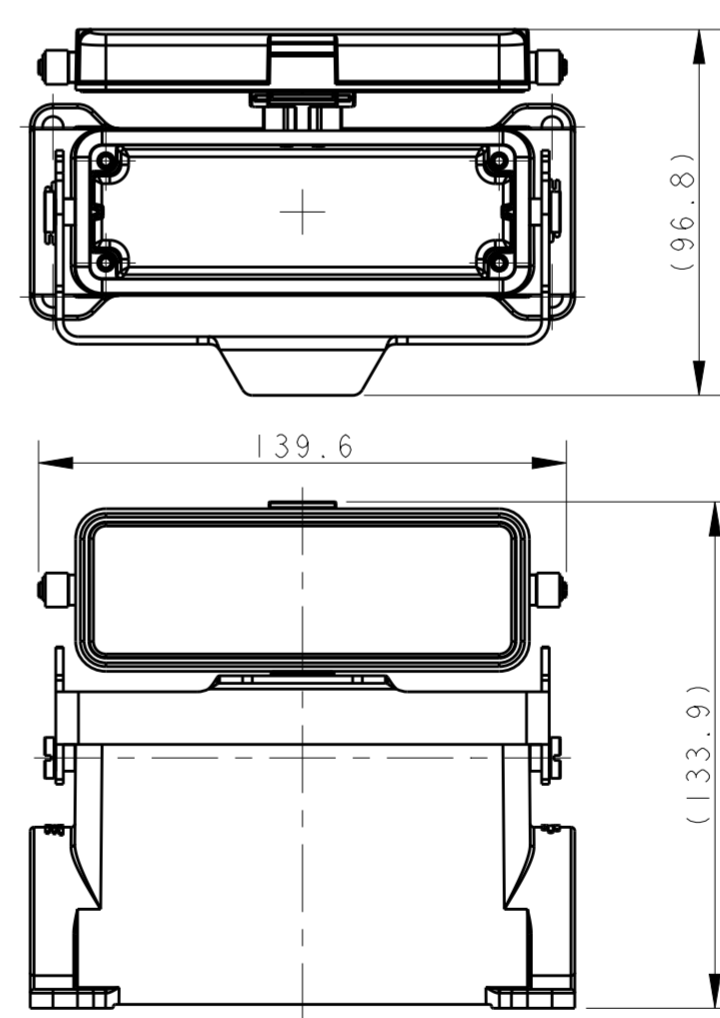
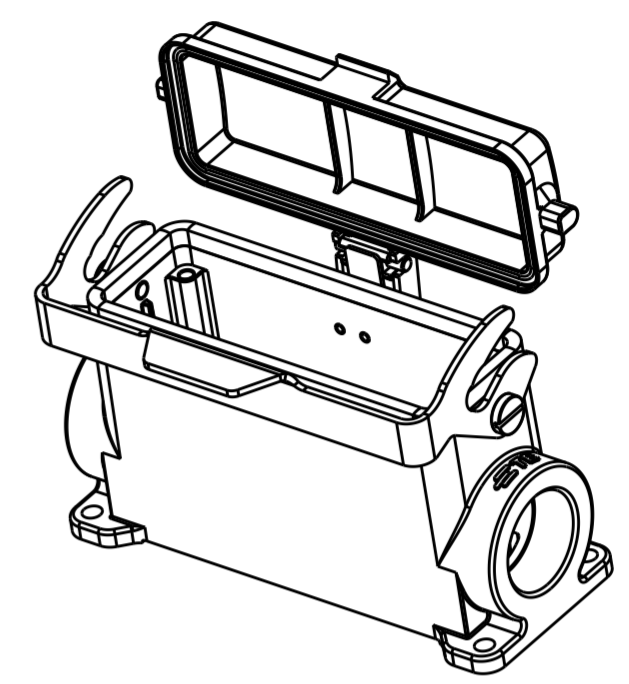
REVISIONS				
P	LTR	DESCRIPTION	DATE	APVD
-	-	SEE SHEET 1	-	-



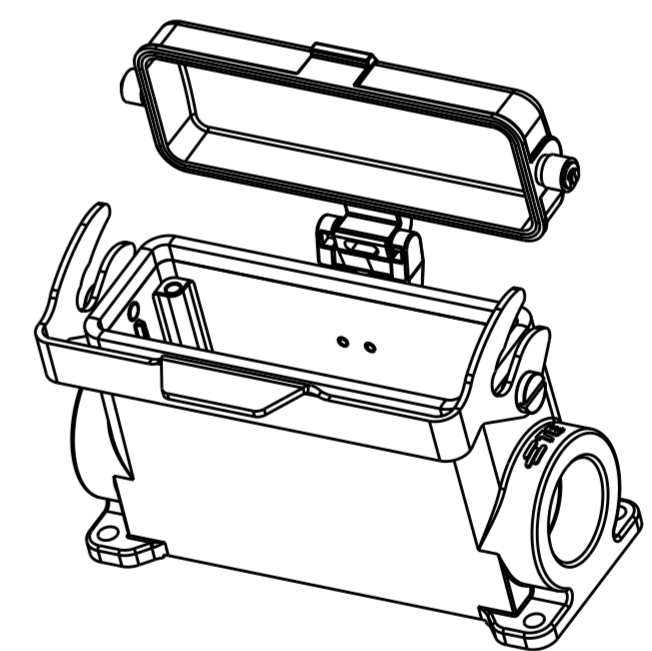
TYPE 4: HIGH BODY + SINGLE STEEL LOCKING



TYPE 5: HIGH BODY + SINGLE STEEL LOCKING + PLASTIC PROTECTION COVER
 OTHER SPEC REFER TO TYPE 4



TYPE 6: HIGH BODY + SINGLE STEEL LOCKING + METAL PROTECTION COVER
 OTHER SPEC REFER TO TYPE 4



T1650243121-000	TYPE 4	H24B-SGRH-LB-PG21	PG21	-
T1650243129-000		H24B-SGRH-LB-PG29	PG29	-
T1650243132-000		H24B-SGRH-LB-M32	M32	-
T1650243221-000		H24B-SGRH-LB-2PG21	PG21	PG21
T1650243229-000		H24B-SGRH-LB-2PG29	PG29	PG29
T1650243232-000		H24B-SGRH-LB-2M32	M32	M32
T1660243121-000	TYPE 5	H24B-SDRH-LB-PG21	PG21	-
T1660243129-000		H24B-SDRH-LB-PG29	PG29	-
T1660243132-000		H24B-SDRH-LB-M32	M32	-
T1660243221-000		H24B-SDRH-LB-2PG21	PG21	PG21
T1660243229-000		H24B-SDRH-LB-2PG29	PG29	PG29
T1660243232-000		H24B-SDRH-LB-2M32	M32	M32
T1660243121-100	TYPE 6	H24B-SDRHM-LB-PG21	PG21	-
T1660243129-100		H24B-SDRHM-LB-PG29	PG29	-
T1660243132-100		H24B-SDRHM-LB-M32	M32	-
T1660243221-100		H24B-SDRHM-LB-2PG21	PG21	PG21
T1660243229-100		H24B-SDRHM-LB-2PG29	PG29	PG29
T1660243232-100		H24B-SDRHM-LB-2M32	M32	M32
ASSEMBLY PART NUMBER	TYPE	ASSEMBLY PART DESCRIPTION	IG1	IG2

THIS DRAWING IS A CONTROLLED DOCUMENT.		DWN DAVID LI 02JUL2015	TE Connectivity	
DIMENSIONS: mm		CHK CHRIS WANG 02JUL2015		
TOLERANCES UNLESS OTHERWISE SPECIFIED:		APVD XU XIANG 02JUL2015	NAME H24B-SGR/SDR/SDRM-LB-PG/M	
		PRODUCT SPEC 108-137013	SIZE A2	
MATERIAL TBD		APPLICATION SPEC 114-137013	CAGE CODE -	DRAWING NO. C-T16X0243XXXX00
FINISH -		WEIGHT -	RESTRICTED TO -	SCALE 1:2
		Customer Drawing	SHEET 2 OF 2	REV A