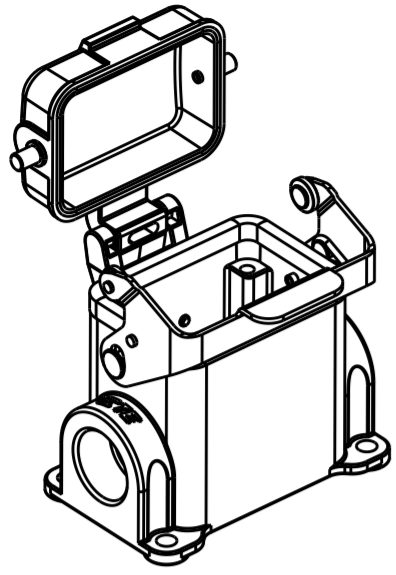
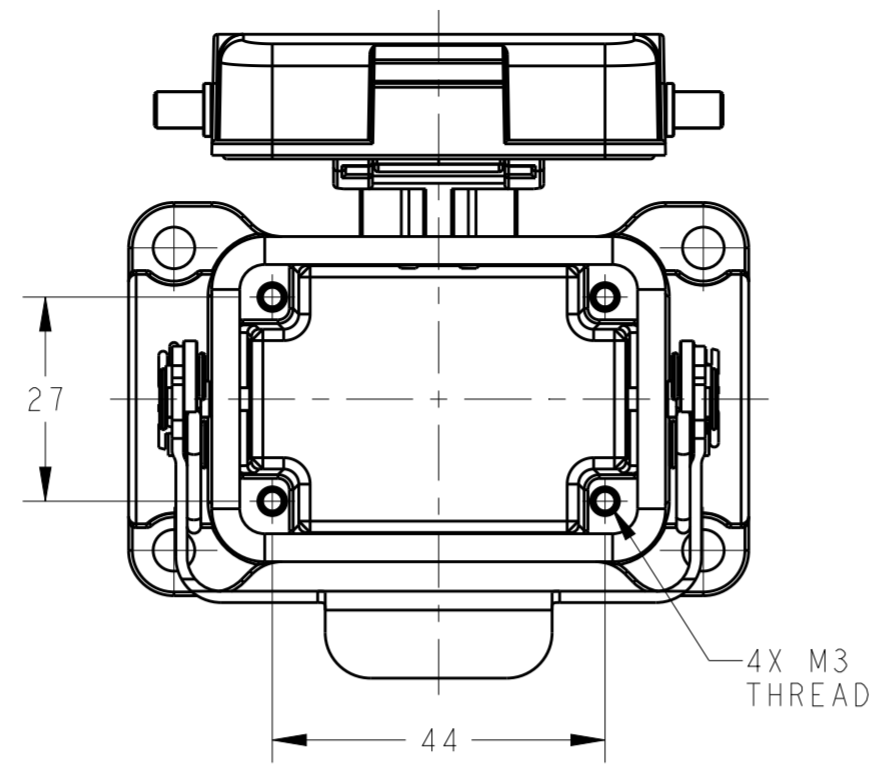


THIS DRAWING IS UNPUBLISHED. RELEASED FOR PUBLICATION 20
 © COPYRIGHT 20 BY - ALL RIGHTS RESERVED.

| REVISIONS | | | | |
|-----------|-----|-------------|-----------|-------|
| P | LTR | DESCRIPTION | DATE | APVD |
| | A | INITIAL | 23JUN2015 | DW CW |
| | | | | |
| | | | | |

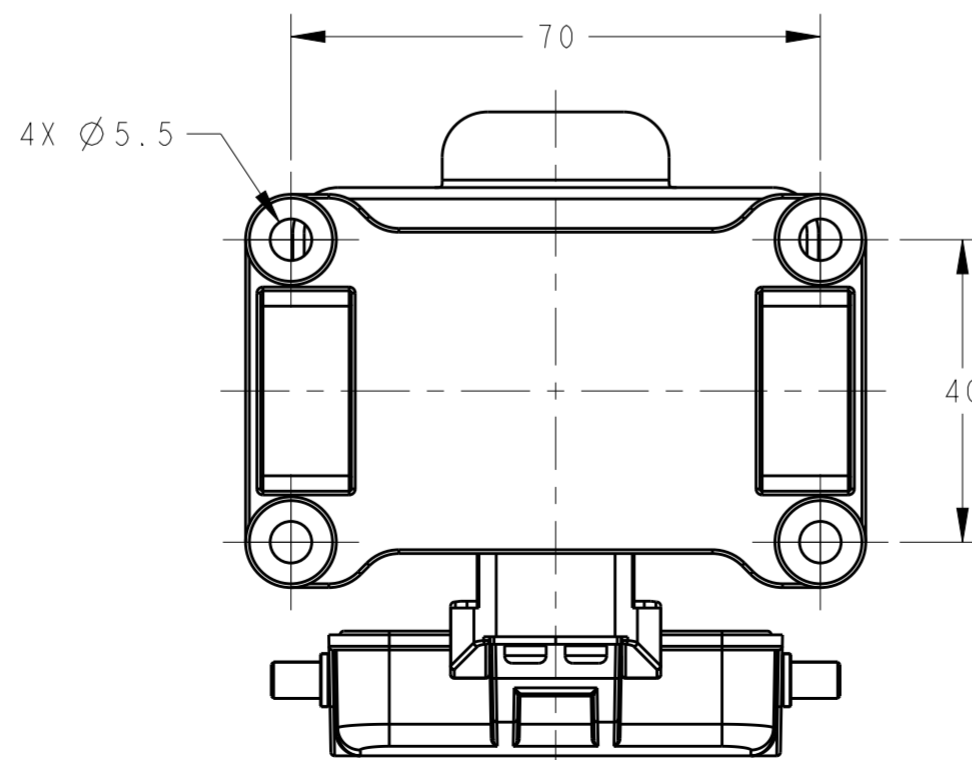
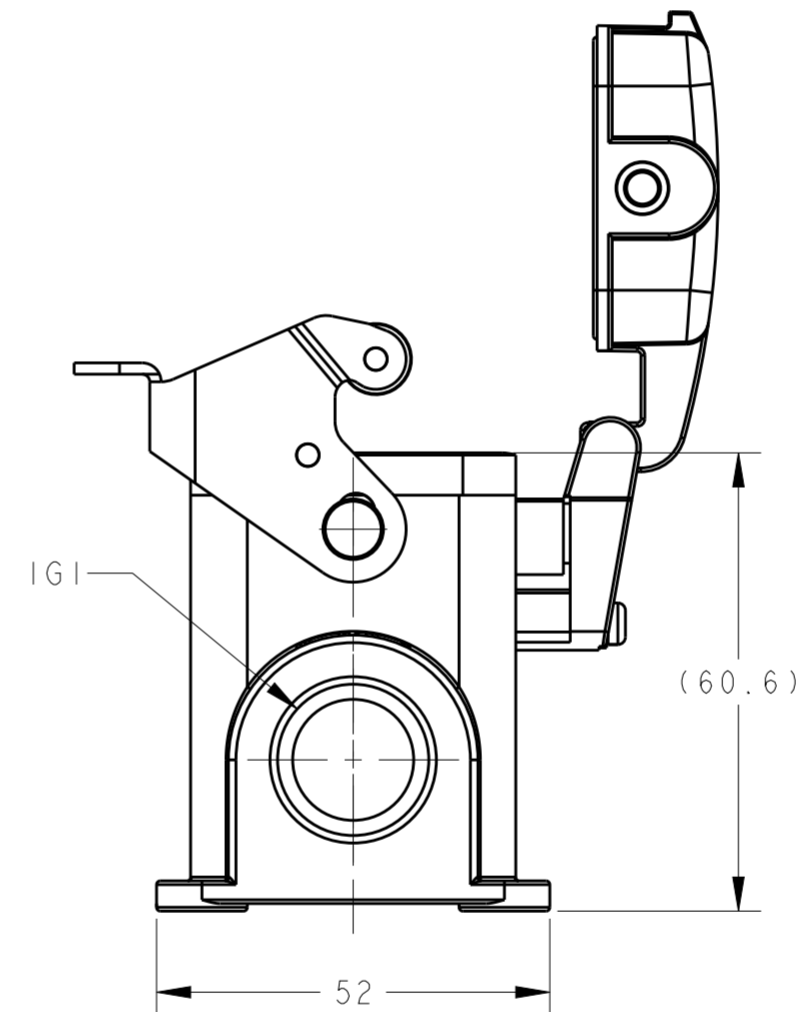
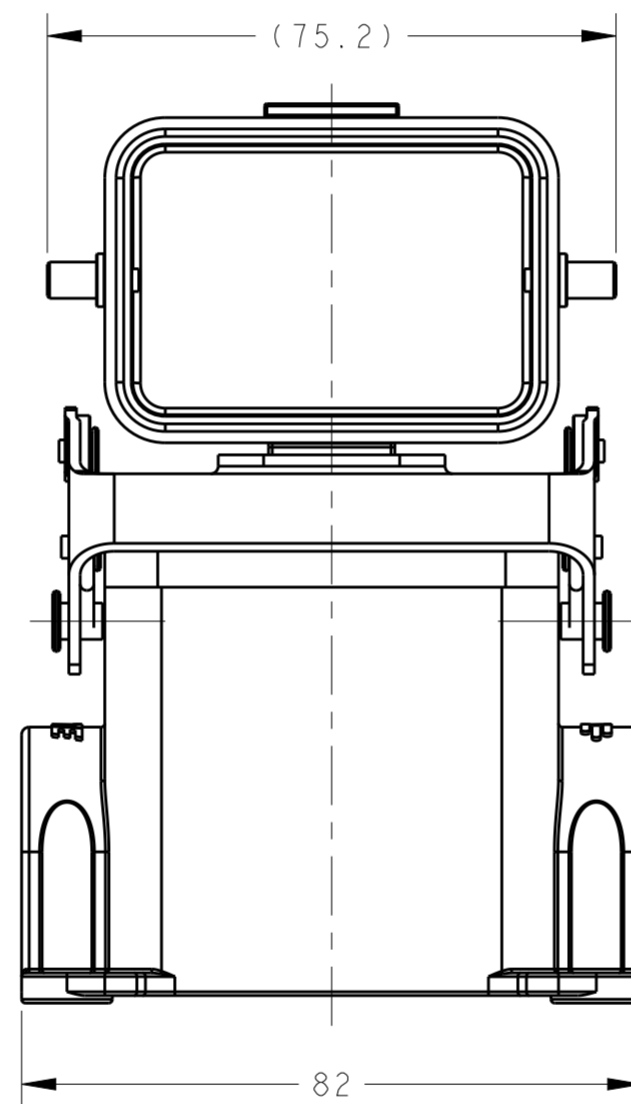
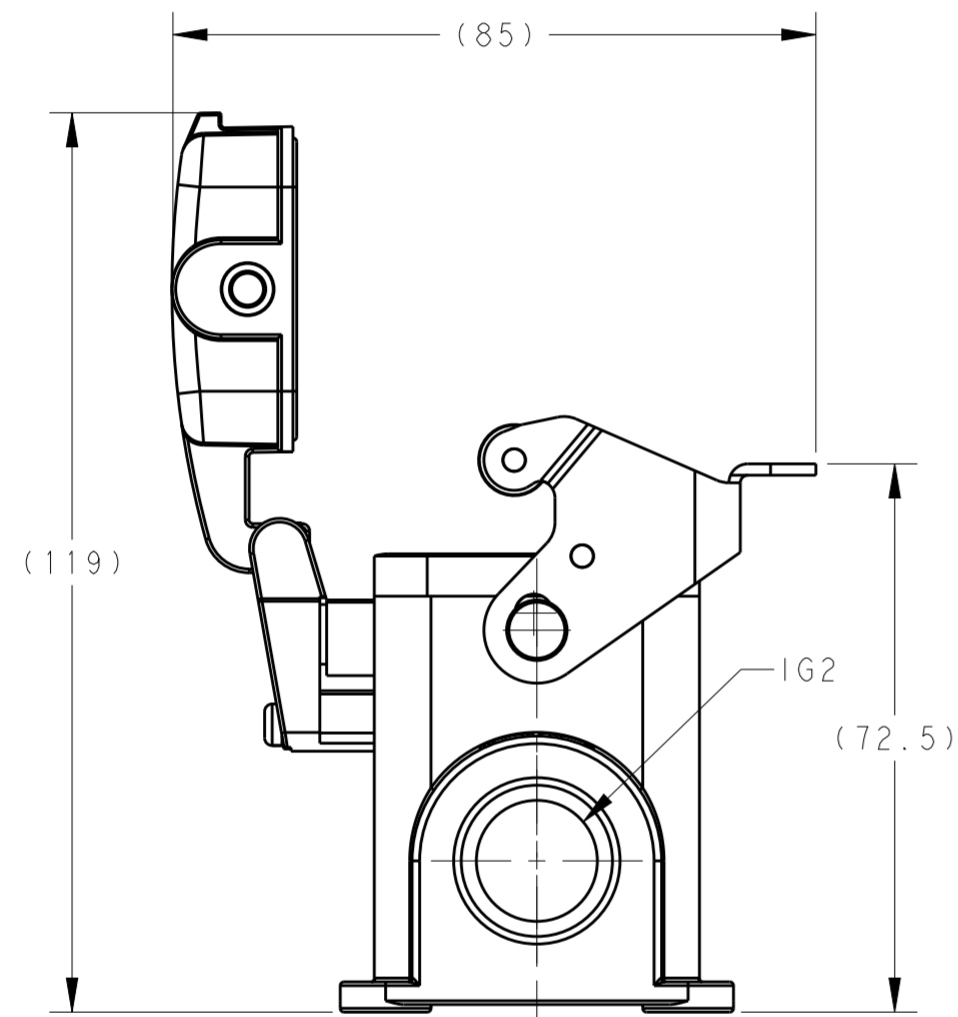


SCALE 1:2


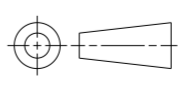


NOTES:
 1. TECHNICAL CHARACTERISTICS:
 HOUSING MATERIAL: DIE CAST ALUMINIUM ALLOY
 SURFACE: POWDER COATED, GREY
 OPERATION TEMPERATURE: -40-+125°C
 DEGREE OF PROTECTION: IP65 (MATED)

注释:
 1. 技术参数:
 表面安装下壳材料: 铝合金
 表面处理: 粉末涂层, 灰色
 工作温度: -40-+125°C
 防护等级: IP65(配合)



| | | | |
|-----------------|-----------------|------|------|
| T1620064316-000 | H6B-SDRMS-PG16 | PG16 | - |
| T1620064320-000 | H6B-SDRMS-M20 | M20 | - |
| T1620064325-000 | H6B-SDRMS-M25 | M25 | - |
| T1620064416-000 | H6B-SDRMS-2PG16 | PG16 | PG16 |
| T1620064420-000 | H6B-SDRMS-2M20 | M20 | M20 |
| T1620064425-000 | H6B-SDRMS-2M25 | M25 | M25 |
| PART NUMBER | DESCRIPTION | IG1 | IG2 |

| | | | | |
|---|--|-----------------------------|---|-----------------|
| THIS DRAWING IS A CONTROLLED DOCUMENT. | | DWN 23JUN2015 David Wang |  TE Connectivity | |
| DIMENSIONS: mm | | CHK 23JUN2015 Chris Wang | | |
| TOLERANCES UNLESS OTHERWISE SPECIFIED: | | APVD 23JUN2015 Xiang Xu | NAME H6B-SDRMS-M/PG | |
|  | | PRODUCT SPEC 108-137013 | RESTRICTED TO - | |
| MATERIAL - | | APPLICATION SPEC 114-137013 | SIZE A2 | CAGE CODE 00779 |
| WEIGHT - | | Customer Drawing | DRAWING NO. T1620064XXX000 | SCALE 1:1 |
| | | | SHEET 1 OF 1 | REV A |