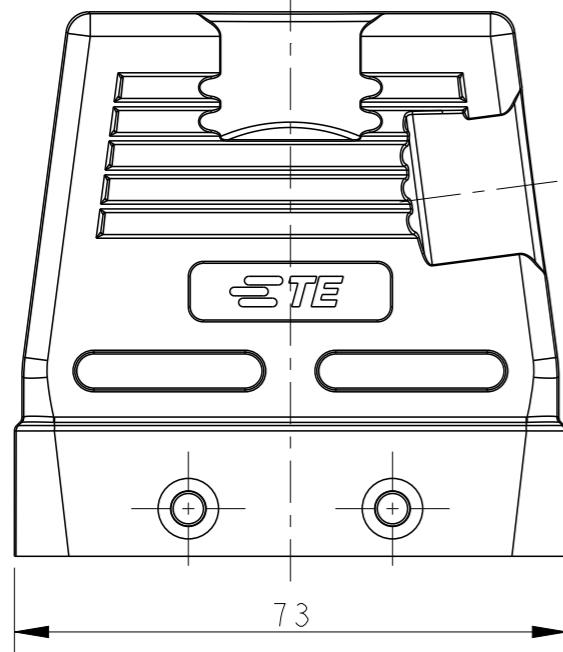


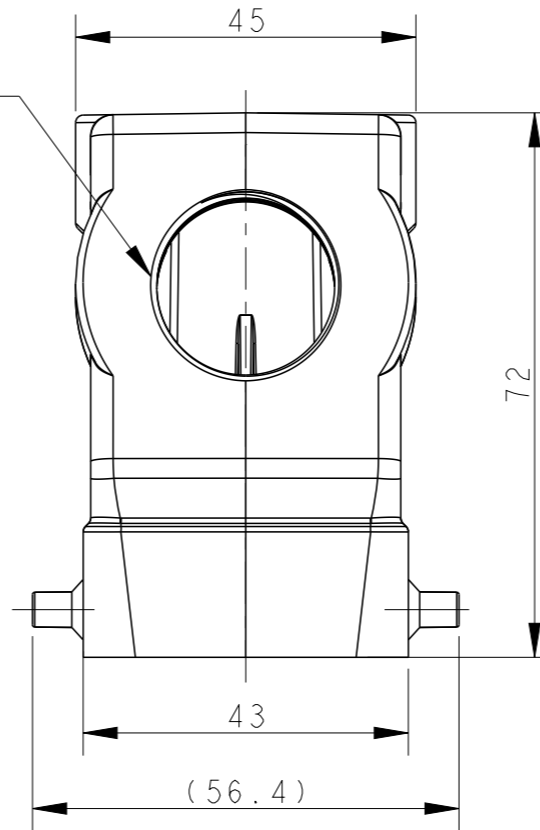
THIS DRAWING IS UNPUBLISHED. RELEASED FOR PUBLICATION 20
 © COPYRIGHT 20 BY - ALL RIGHTS RESERVED.

REVISIONS

P	LTR	DESCRIPTION	DATE	DWN	APVD
	A	INITIAL	26FEB2016	RL	CW

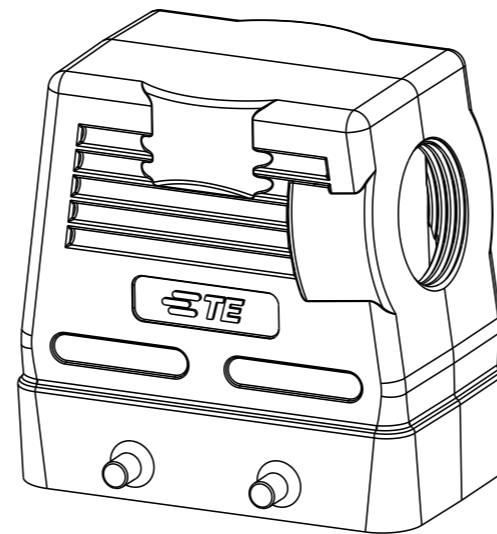
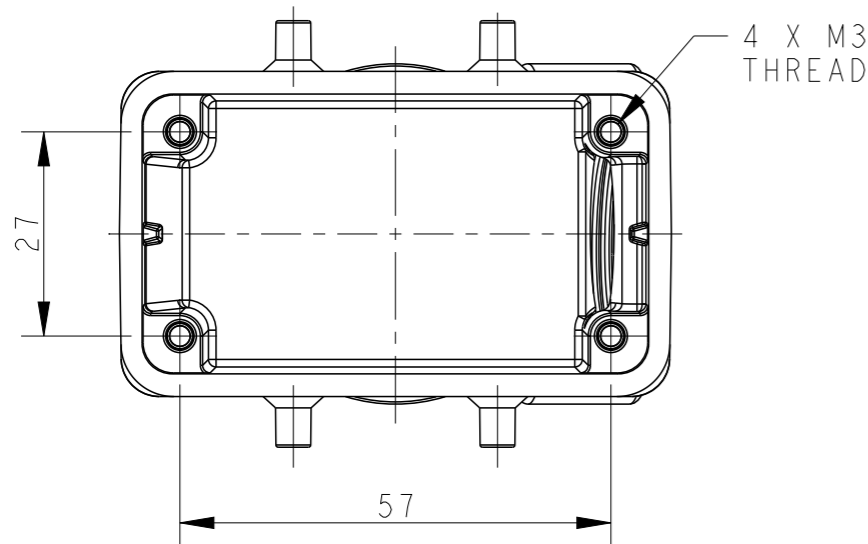


PG/M THREAD
PG/M 螺纹孔



NOTES:
 1. TECHNICAL CHARACTERISTICS:
 HOOD MATERIAL: DIE CAST ALUMINIUM ALLOY
 SURFACE: CONDUCTIVE PAINTING
 DEGREE OF PROTECTION: IP65 (MATED)

注释:
 1. 技术参数:
 上壳材料: 铝合金
 表面处理: 喷导电漆
 防护等级: IP65(配合)



SCALE 4:5

T1230105116-000	H10B-TSH-EMC-PG16 H10B带屏蔽上壳(侧出PG16、4耳、高结构)	PG16
T1230105121-000	H10B-TSH-EMC-PG21 H10B带屏蔽上壳(侧出PG21、4耳、高结构)	PG21
T1230105129-000	H10B-TSH-EMC-PG29 H10B带屏蔽上壳(侧出PG29、4耳、高结构)	PG29
T1230105120-000	H10B-TSH-EMC-M20 H10B带屏蔽上壳(侧出M20、4耳、高结构)	M20
T1230105125-000	H10B-TSH-EMC-M25 H10B带屏蔽上壳(侧出M25、4耳、高结构)	M25
T1230105132-000	H10B-TSH-EMC-M32 H10B带屏蔽上壳(侧出M32、4耳、高结构)	M32
T1230105140-000	H10B-TSH-EMC-M40 H10B带屏蔽上壳(侧出M40、4耳、高结构)	M40
ASSEMBLY PART NUMBER 成品料号	ASSEMBLY PART DESCRIPTION 成品描述	PG/M THREAD PG/M 螺纹孔

THIS DRAWING IS A CONTROLLED DOCUMENT.

DIMENSIONS:	TOLERANCES UNLESS OTHERWISE SPECIFIED:
mm	
	0 PLC ±-
	1 PLC ±-
	2 PLC ±-
	3 PLC ±-
	4 PLC ±-
	ANGLES ±-
MATERIAL	FINISH
-	-
-	-

DWN	26FEB2016
ROY LIU	
CHK	26FEB2016
KYLE ZENG	
APVD	26FEB2016
CHRIS WANG	
PRODUCT SPEC	108-137016
APPLICATION SPEC	114-137016
WEIGHT	-
CUSTOMER DRAWING	

STE TE Connectivity

NAME: H10B-TSH-EMC-PG/M

SIZE	CAGE CODE	DRAWING NO	RESTRICTED TO
A3	00779	©-T12301051XX000	-

SCALE 1:1 SHEET 1 OF 1 REV A