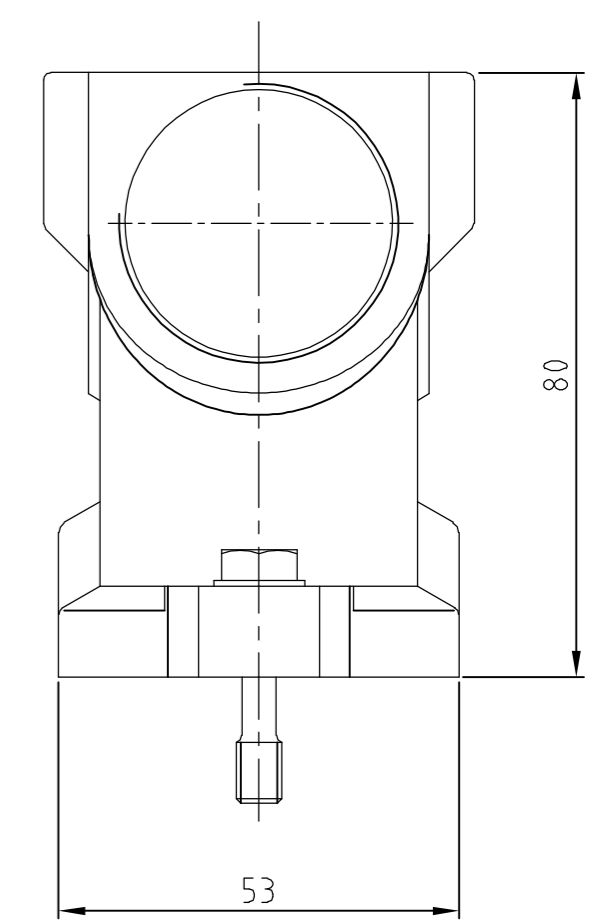
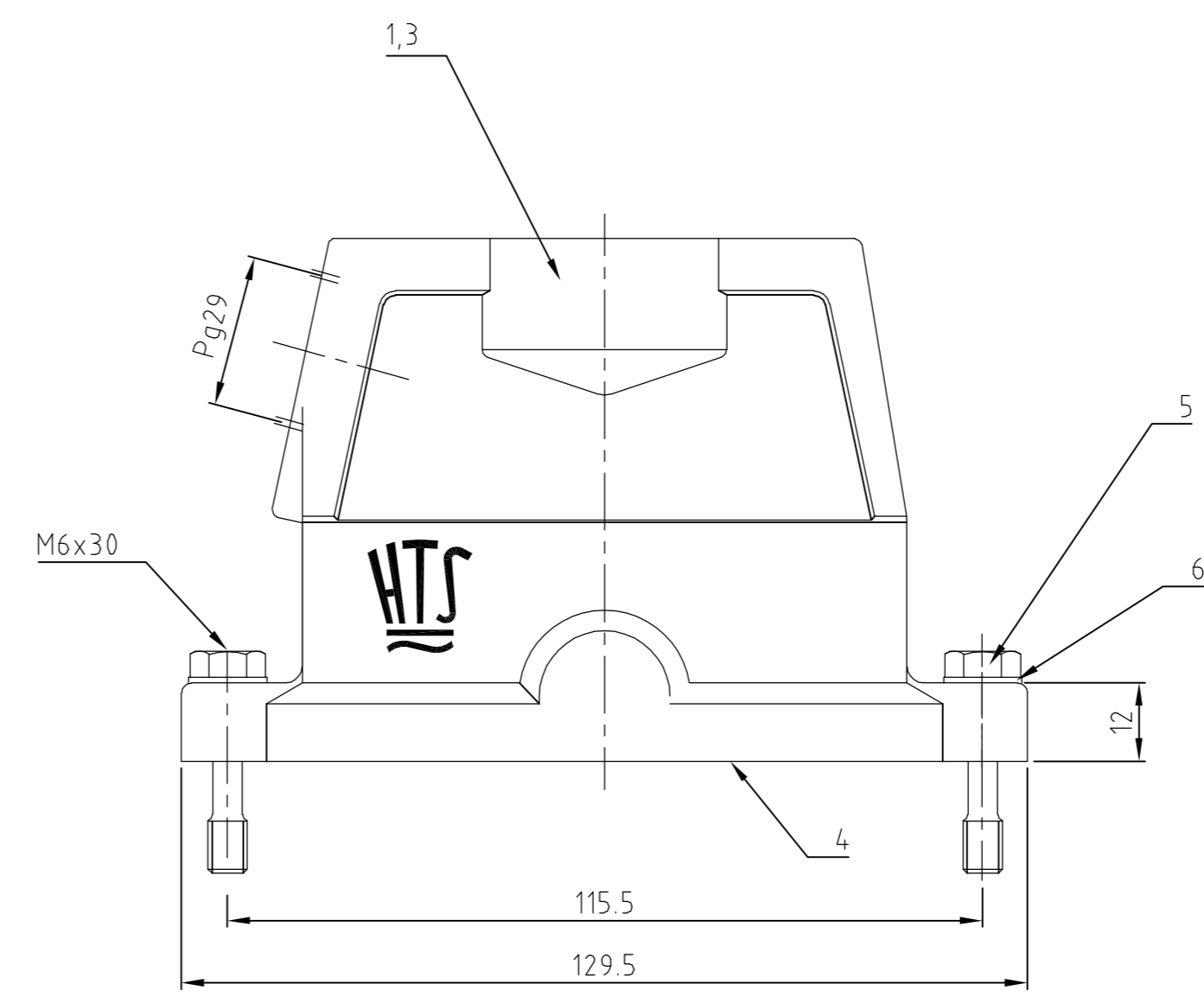
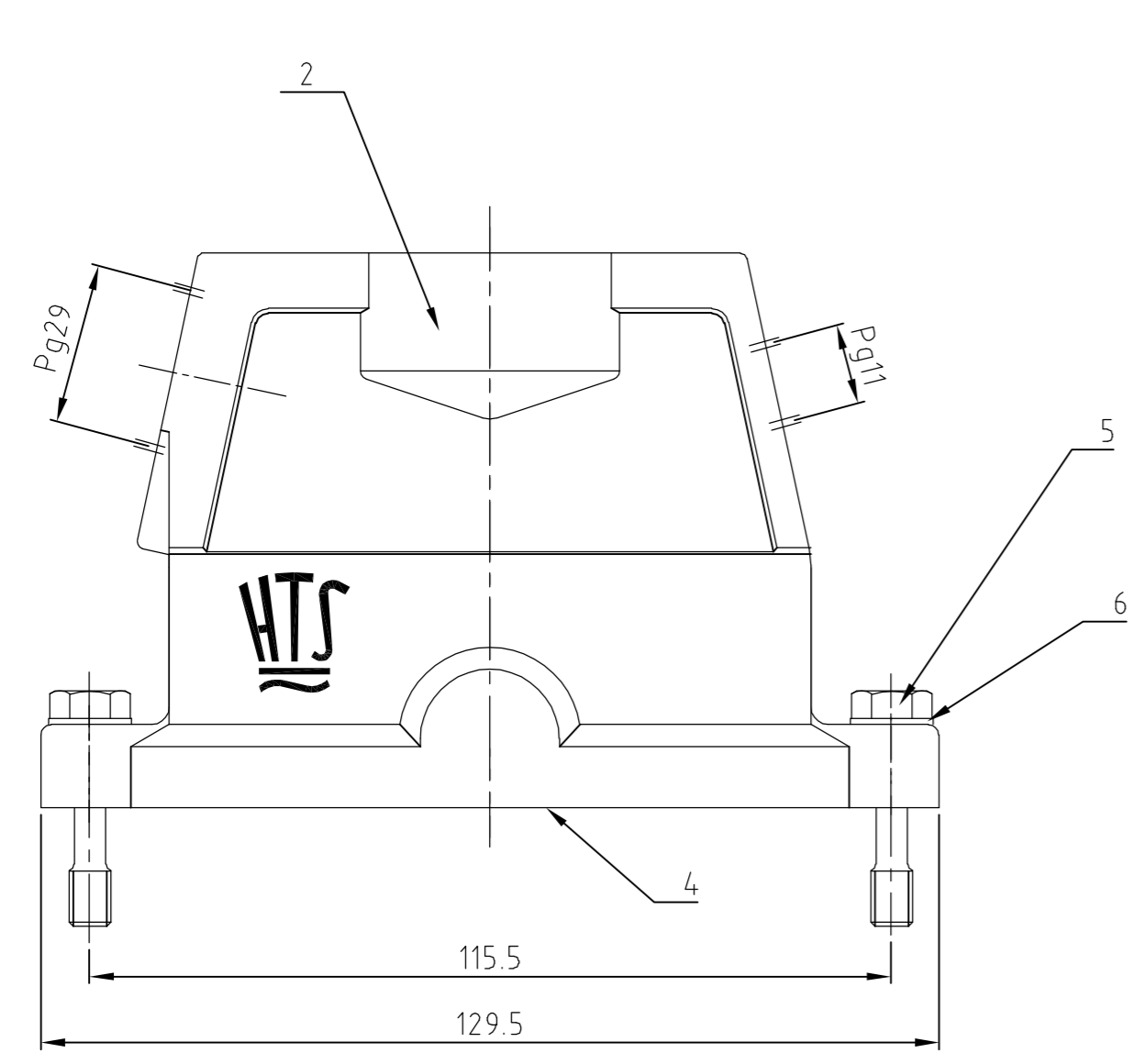


| LOC | DIST | REVISIONS                     |     |             |          |     |      |
|-----|------|-------------------------------|-----|-------------|----------|-----|------|
| A1  | -    | P                             | LTR | DESCRIPTION | DATE     | DWN | APVD |
|     |      | PROJEKT NR.: B6 ECR-05-011296 |     |             | 06.03.06 | SK  | TS   |



Notes,  
 ⚠ Material: Housing: aluminium diecasting alloy  
 Seals: Neoprene  
 ⚠ Surface: Varnisch- grey  
 chromital TCP passivation  
 Varnisch black

Bemerkungen,  
 ⚠ Material: Gehäuse: Alu-Druckguß-Legierung  
 Dichtungen: Neoprene  
 ⚠ Oberfläche: Lackierung - grau  
 chromital TCP passivation  
 Lackierung schwarz

| QTY    | QTY | QTY | DESCRIPTION / BENENNUNG             | MATERIAL             | SURFACE/OBERFLÄCHE | COLOR/FARBE   | ITEM NO. | REMARKS / BEMERKUNGEN |
|--------|-----|-----|-------------------------------------|----------------------|--------------------|---------------|----------|-----------------------|
| 2      | 2   | 2   | Scheibe / pane                      | V2A/ stainless steel | blank/even         |               | 6        |                       |
| 2      | 2   | 2   | Befestigungsschraube / fixing screw | V2A/stainless steel  | blank/even         |               | 5        |                       |
| 1      | 1   | 1   | Dichtung Bg6 Seal                   | Neoprene             | -                  | black/schwarz | 4        | leitfähig / conductiv |
| 1      | -   | -   | Steckergehäuse EMV / hood           | Aluminium/Alu        | SEE NOTE 1         | black/schwarz | 3        |                       |
| -      | -   | 1   | Steckergehäuse EMV / hood           | Aluminium/Alu        | -                  | grey/grau     | 2        |                       |
| -      | 1   | -   | Steckergehäuse EMV / hood           | Aluminium/Alu        | -                  | grey/grau     | 1        |                       |
| 4-53-5 | 0-1 | -   | DESCRIPTION / BENENNUNG             | MATERIAL             | SURFACE/OBERFLÄCHE | COLOR/FARBE   | ITEM NO. | REMARKS / BEMERKUNGEN |

|                        |                      |                           |                           |                                       |                                                                                                                                                                              |                                                                                                                                                                                                |                                                                                                                                                                                          |
|------------------------|----------------------|---------------------------|---------------------------|---------------------------------------|------------------------------------------------------------------------------------------------------------------------------------------------------------------------------|------------------------------------------------------------------------------------------------------------------------------------------------------------------------------------------------|------------------------------------------------------------------------------------------------------------------------------------------------------------------------------------------|
| EMV-K.16/40.STS.1.29.G | EMV.16/40.STS.1.29.G | EMV.16/40.STS.1.29.G+11.G | ORDERING TEXT/BESTELLTEXT | DIMENSIONS:<br>DIMENSIONEN:<br>mm<br> | TOLERANCES UNLESS OTHERWISE SPECIFIED:<br>ALLGEMEINTOLERANZEN<br>1. ISO 8015<br>2. ISO 2768 - mH - E<br>3. DIN 16901 - 14.0<br>ANGLE / WINKEL<br>FINISH / OBERFLÄCHE / FARBE | DWN Schneider 19.02.9<br>CHK Schweiger 19.02.99<br>APVD -<br>PRODUCT SPEC<br>PRODUKTSPEZ.<br>APPLICATION SPEC<br>VERARBEITUNGSSPEZ.<br>WEIGHT<br>GEWICHT<br>CUSTOMER DRAWING / KUNDENZEICHNUNG | NAME<br>Hood<br>Steckergehäuse EMV Bg6<br>SIZE A2<br>CAGE CODE 00779<br>DRAWING NO. ZEICHNUNGS-NR. C=1102723<br>RESTRICTED TO NUR FUER -<br>MASSSTAB 1:1<br>BLATT 1 OF 1 VON 1<br>REV B6 |
|------------------------|----------------------|---------------------------|---------------------------|---------------------------------------|------------------------------------------------------------------------------------------------------------------------------------------------------------------------------|------------------------------------------------------------------------------------------------------------------------------------------------------------------------------------------------|------------------------------------------------------------------------------------------------------------------------------------------------------------------------------------------|