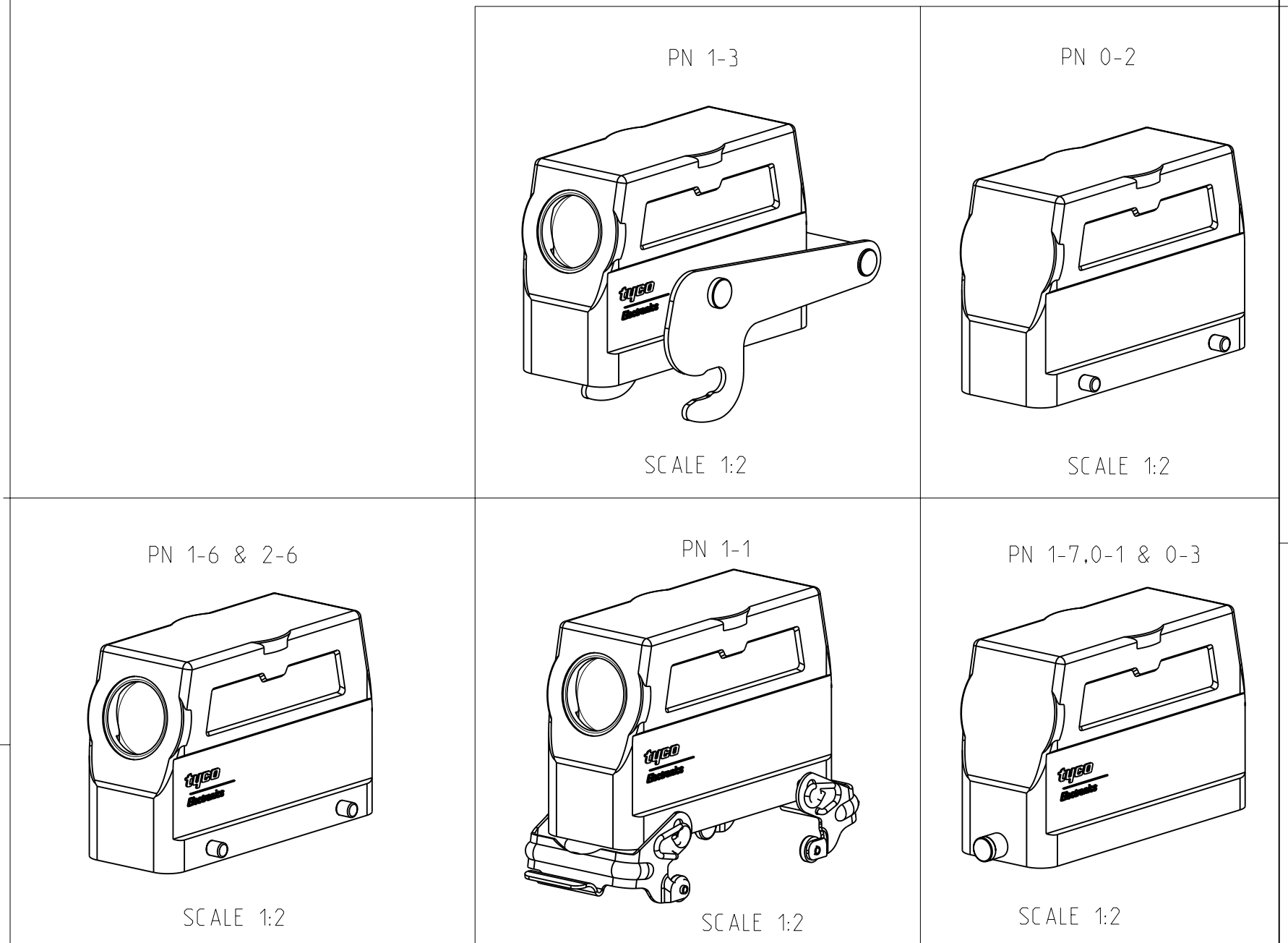


LOC	DIST	REVISIONS			
P	LTH	DESCRIPTION	DATE	DWN	APVD
A6	ECR-10-011573		09JUN2010	SR	AR

- NOTES.
- Material:Housing:Aluminium Diecasting Alloy
  - Surface-Varnish Grey  
-Aluminium Oxide +  
Varnish Black
  - Varnish on the inside not necessary
  - Packaging  
Quantity 5 Pieces in a box



QTY	DESCRIPTION	MATERIAL	SURFACE	COLOR	ITEM NO	REMARKS
1	HD Hood	Aluminium		Grey	11	Without Logo / Drilling
1	HD Hood	Aluminium		Grey	10	Without PG-Thread / Without HTS-indication
1	ZB-Central clip	Stainless steel	Blank		9	
1	ZB-Central clip	Steel	Zinc plated	Blue	8	
2	LB-Clip bolt	Steel	Zinc plated	Blue	7	
2	VS-Side clip	Steel	Zinc plated	Blue	6	
4	VS-Clip bolt	Stainless steel	Blank		5	
4	VS-Clip bolt	Steel	Zinc plated	Blue	4	
1	HD Hood	Aluminium		Grey	3	Without PG-Thread
1	HD-K Hood	Aluminium	Aluminium oxide	Black	2	
1	HD Hood	Aluminium		Grey	1	

ORDERING TEXT  
 HD.64.STS.1.21.G  
 HD-K.64.STS.1.21.G  
 HD.64.STS-VS.1.21.G  
 HD.64.STS-GR.1.21.G  
 HD-Z.64.STS-ZB.1.21.G  
 HD-K/Z.64.STS-ZB.1.21.G  
 HD.64.ST-GR  
 HD.64.ST  
 HD.64.ST-GR  
 HD-Z.64.ST-ZB

**OBSELETE**

DIMENSIONS:	TOLERANCES UNLESS OTHERWISE SPECIFIED:	DWN	12.06.2001	Tyco Electronics,AMP.GmbH 0-53819,Neunkirchen,Germany
mm	0 PL ±0.15 1 PL ±0.2 2 PL ±0.3 3 PL ±0.4 4 PL ±0.5 ANGLES ±	CHK	12.06.2001	
MATERIAL	FINISH	APVD		NAME
				PRODUCT SPEC
				APPLICATION SPEC
				WEIGHT
				CUSTOMER DRAW ING

SIZE: A | 00779 | C=1103336 | SHEET 1 OF 1 | REV. A6