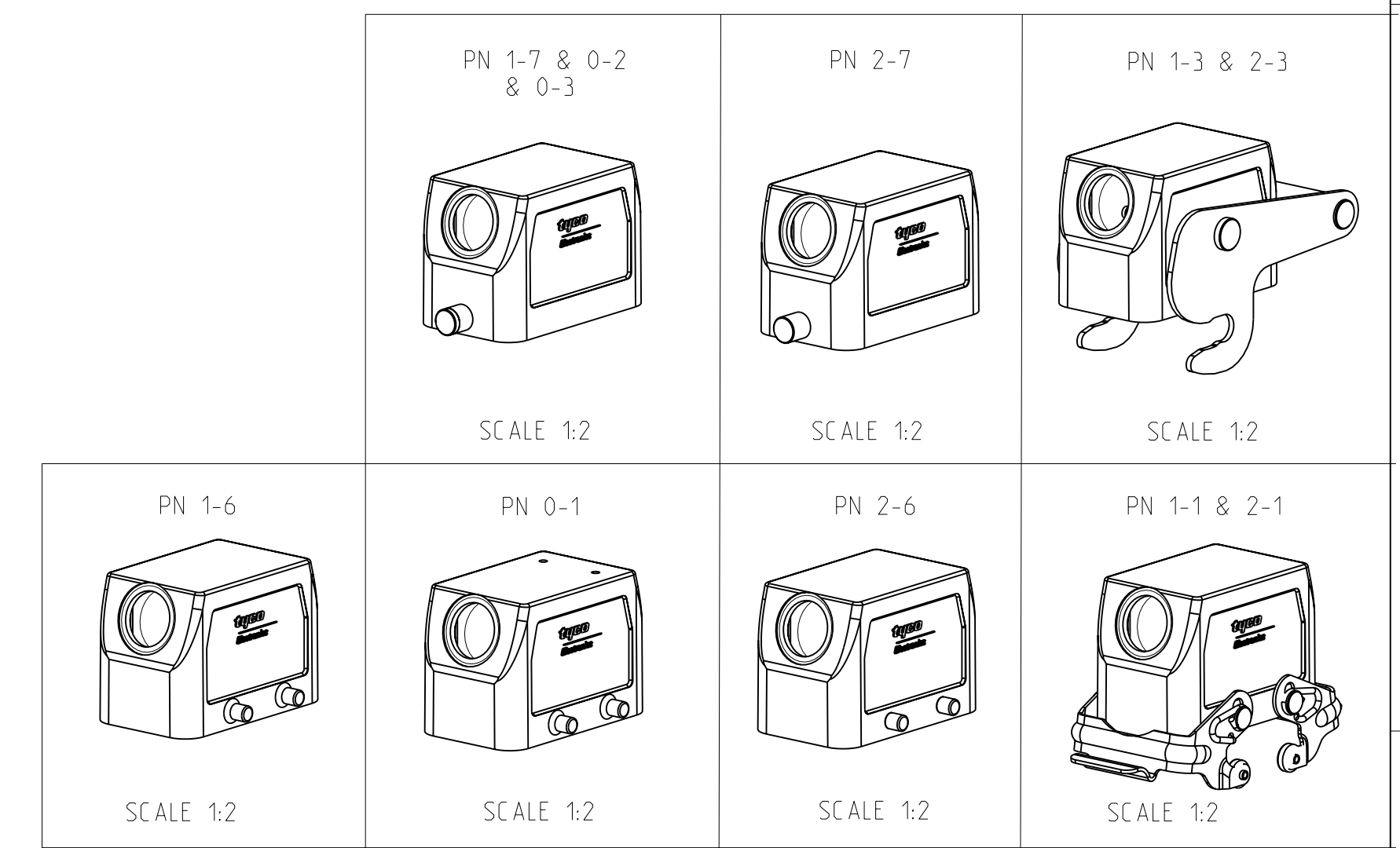


LOC	DIST	REV	DESCRIPTION	DATE	DWN	APVD
-	-	A6	Released as per ECR-07-030422	17.12.07	SP	TS

- NOTES.
- 1 Material:Housing-Aluminium Diecasting Alloy
 - 2 Surface-Powder Varnish Grey
-Aluminium Oxide +
Varnish Black
 - 3 Varnish on the inside not necessary
 - 4 Packaging
Quantity 5 Pieces in a box



QTY	DESCRIPTION	MATERIAL	SURFACE	COLOR	ITEM NO	NOTES
1	ZB-Central clip	Stainless steel	Blank	-	11	
1	ZB-Central clip	Steel	Zinc plated	Blue	10	
2	LB- Clip bolt	Stainless steel	Blank	-	9	
2	LB- Clip bolt	Steel	Zinc plated	Blue	8	
2	VS-Side clip	Stainless steel	Blank	-	7	
2	VS-Side clip	Steel	Zinc plated	Blue	6	
4	VS- Clip bolt	Stainless steel	Blank	-	5	
1	HB- Hood	Aluminium	-	No varnish	4	
1	HB- Hood	Aluminium	-	Grey	3	Identification plate
1	HB- Hood	Aluminium	Aluminium oxide	Black	2	
1	HB- Hood	Aluminium	-	Grey	1	

DIMENSIONS: mm
 TOLERANCES UNLESS OTHERWISE SPECIFIED:
 0 TO 30mm ±0.15
 30 TO 50mm ±0.2
 50 TO 100mm ±0.3
 100 TO 200mm ±0.4
 200 TO 500mm ±0.5
 ANGLES ±0.5
 FINISH -

DWN Schneider 19.05.00
 CHK Schneider 19.05.00
 APVD -
 NAME
 PRODUCT SPEC
 APPLICATION SPEC
 WEIGHT
 CUSTOMER DRAW ING

Tyco Electronics Tyco Electronics, AMP, GmbH
 0-53819, Neunkirchen, Germany

Hood
 HB.10.STS.1.16.G

SIZE CAGE CODE DRAWING NO RESTRICTED TO
 A 00779 C=1102261
 SCALE 1:1 SHEET 1 OF 1 REV. A6