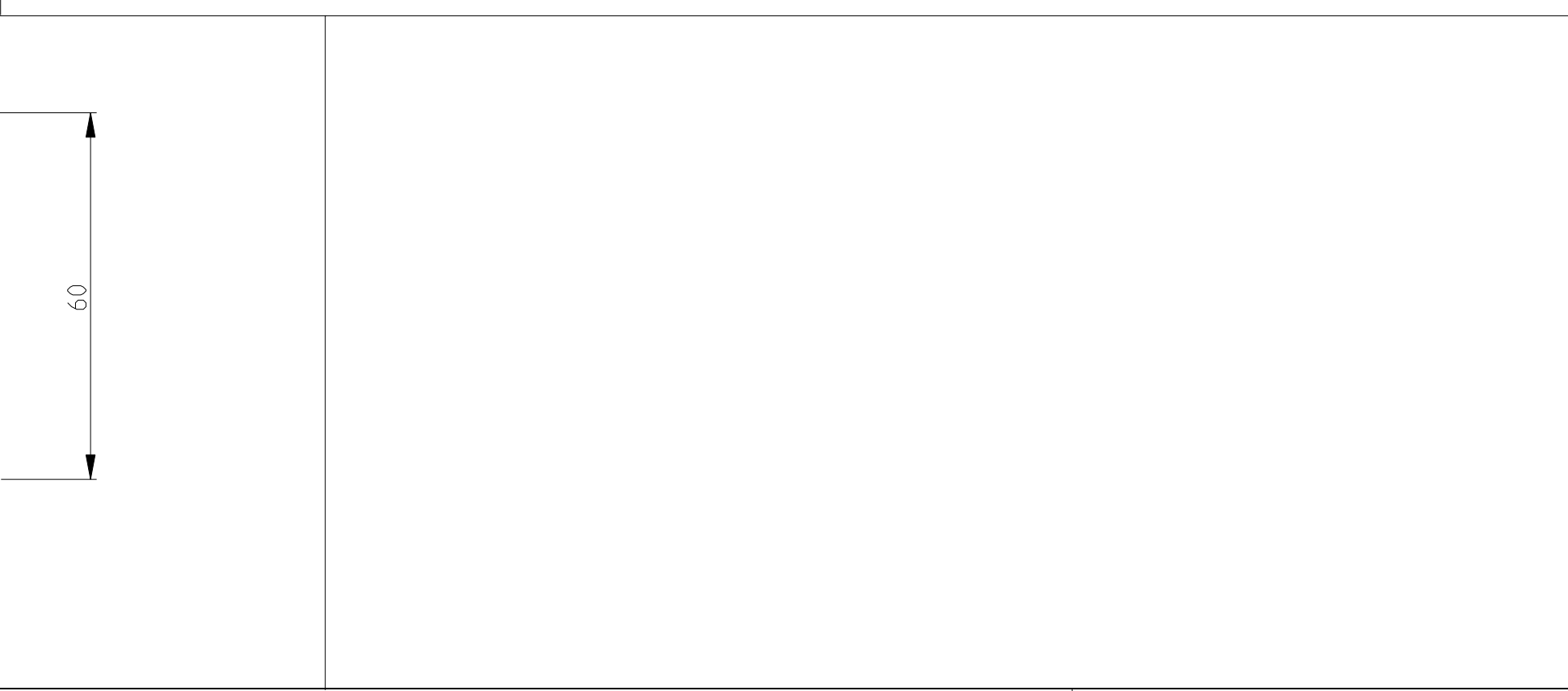
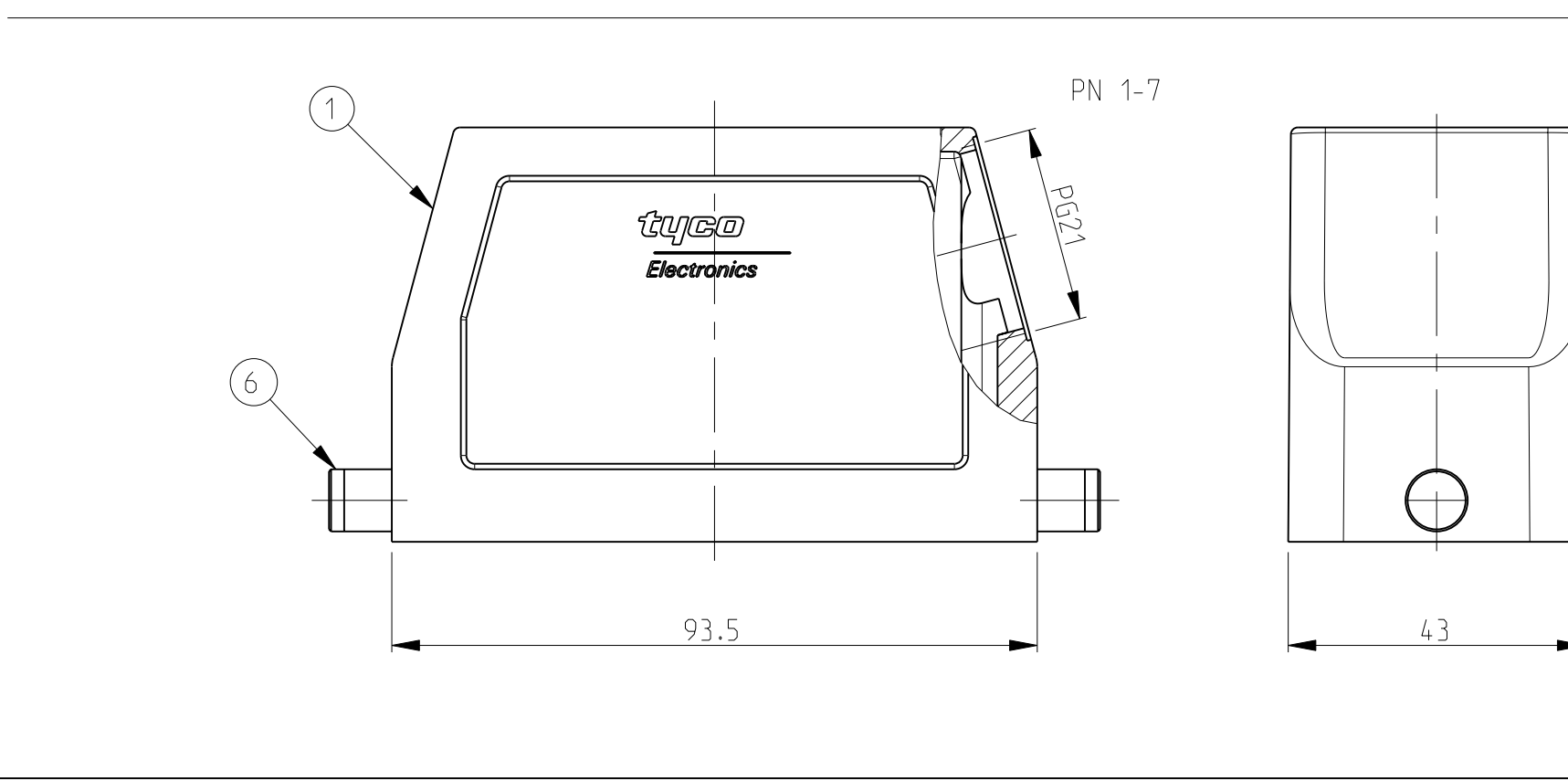
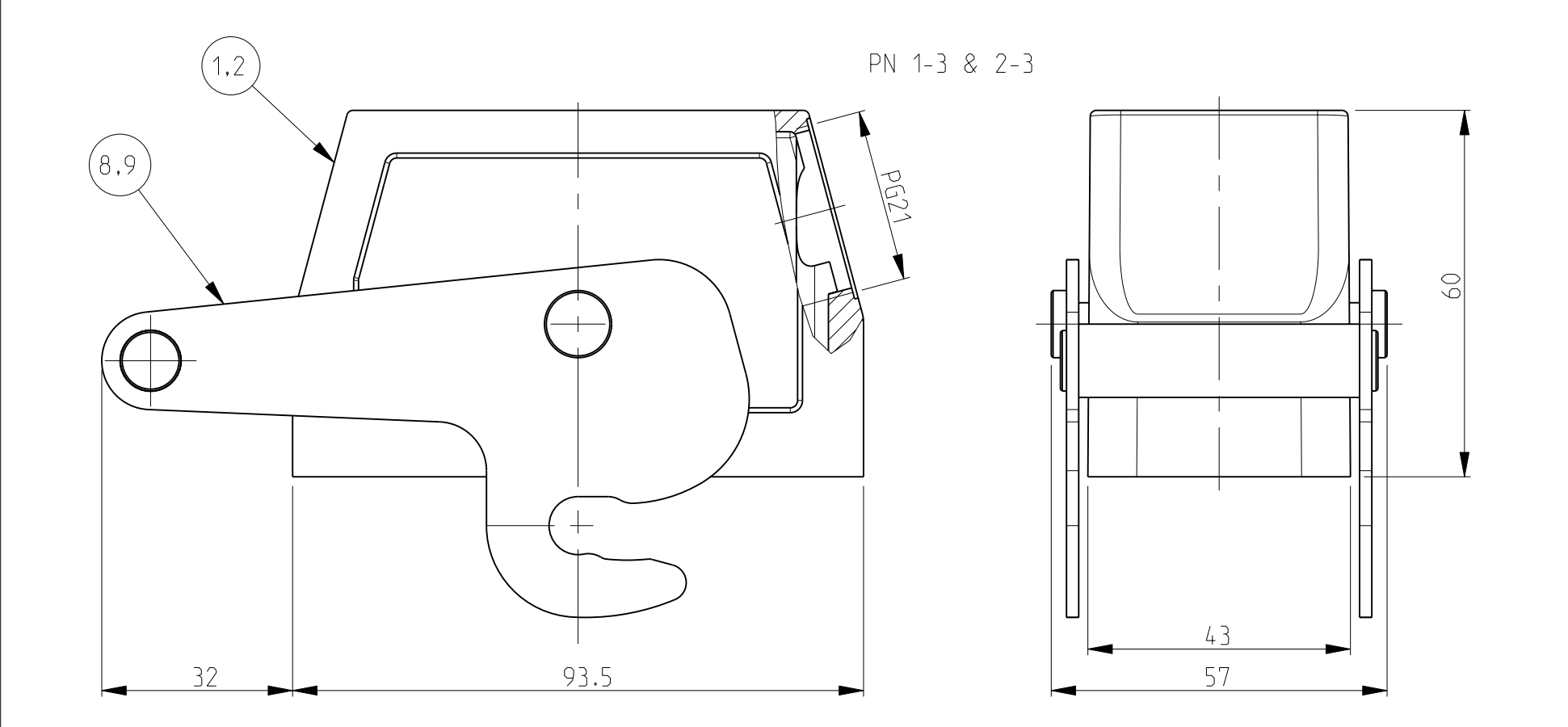
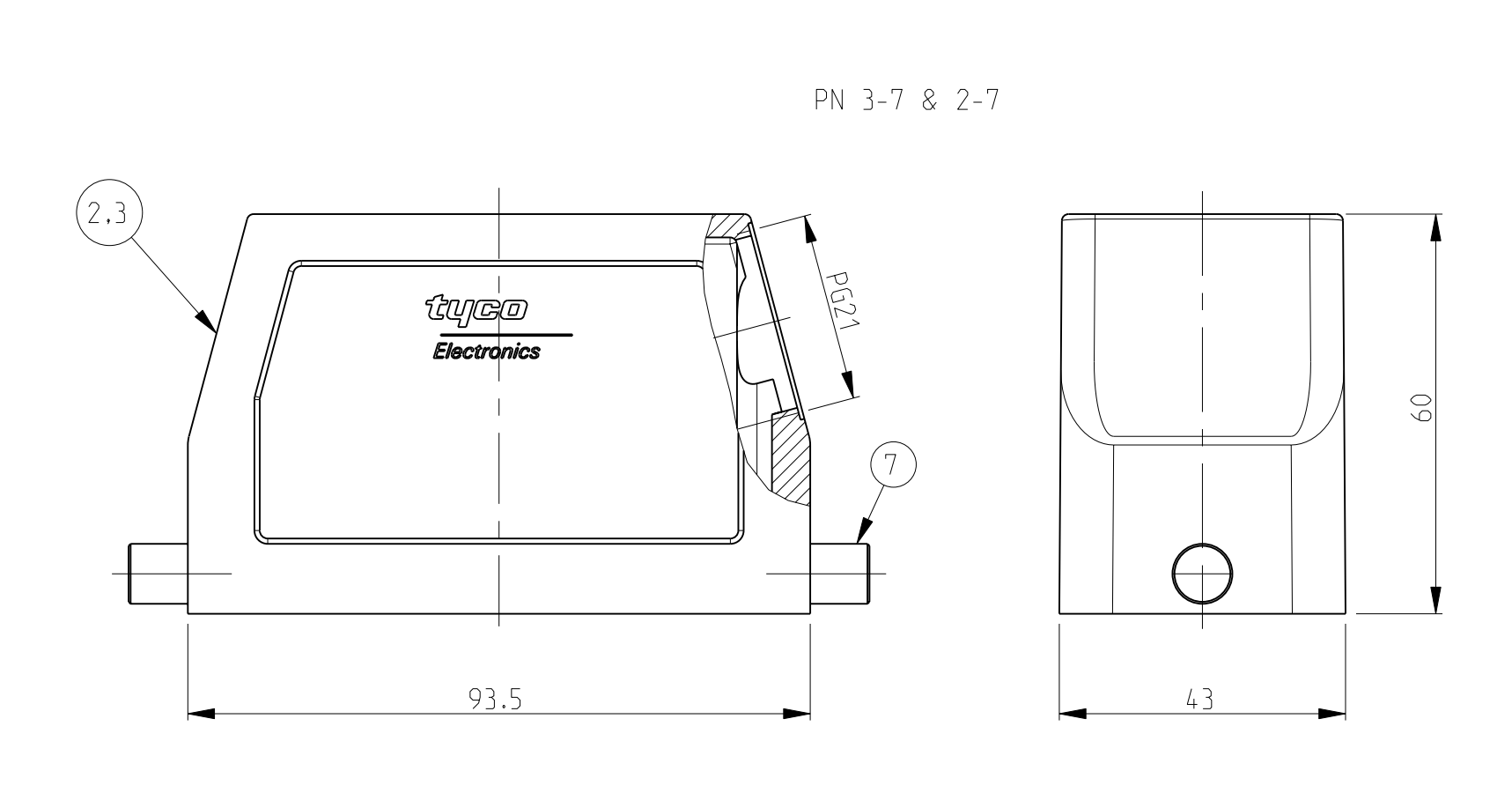
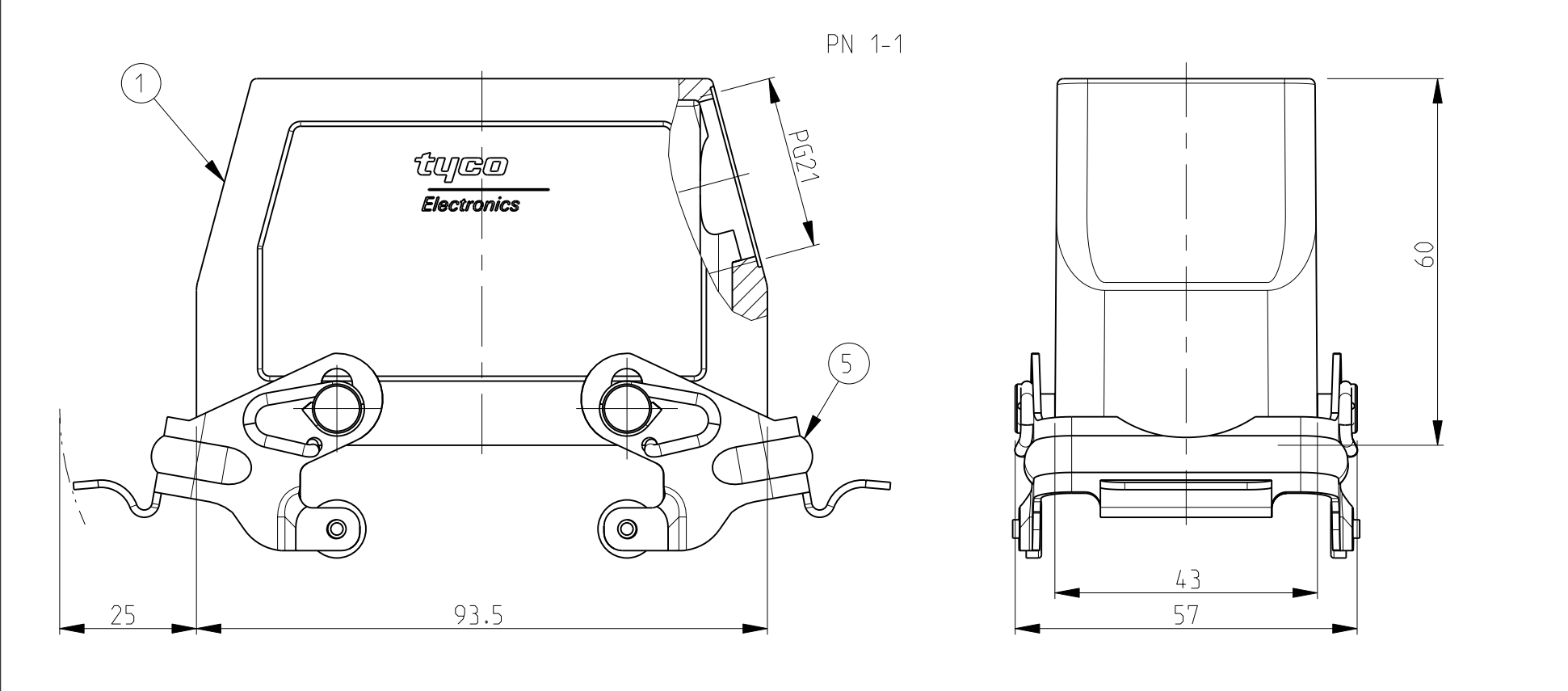
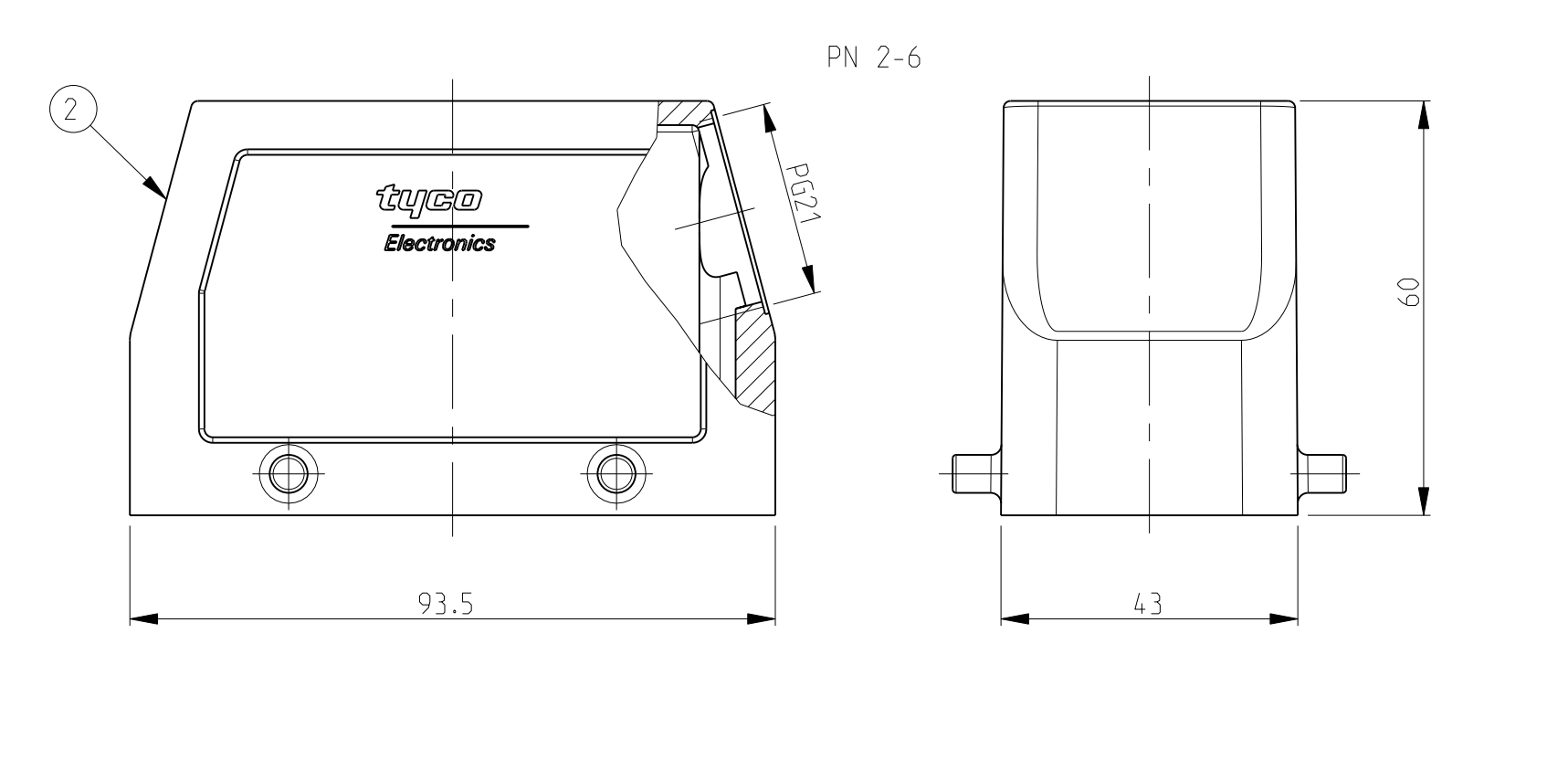
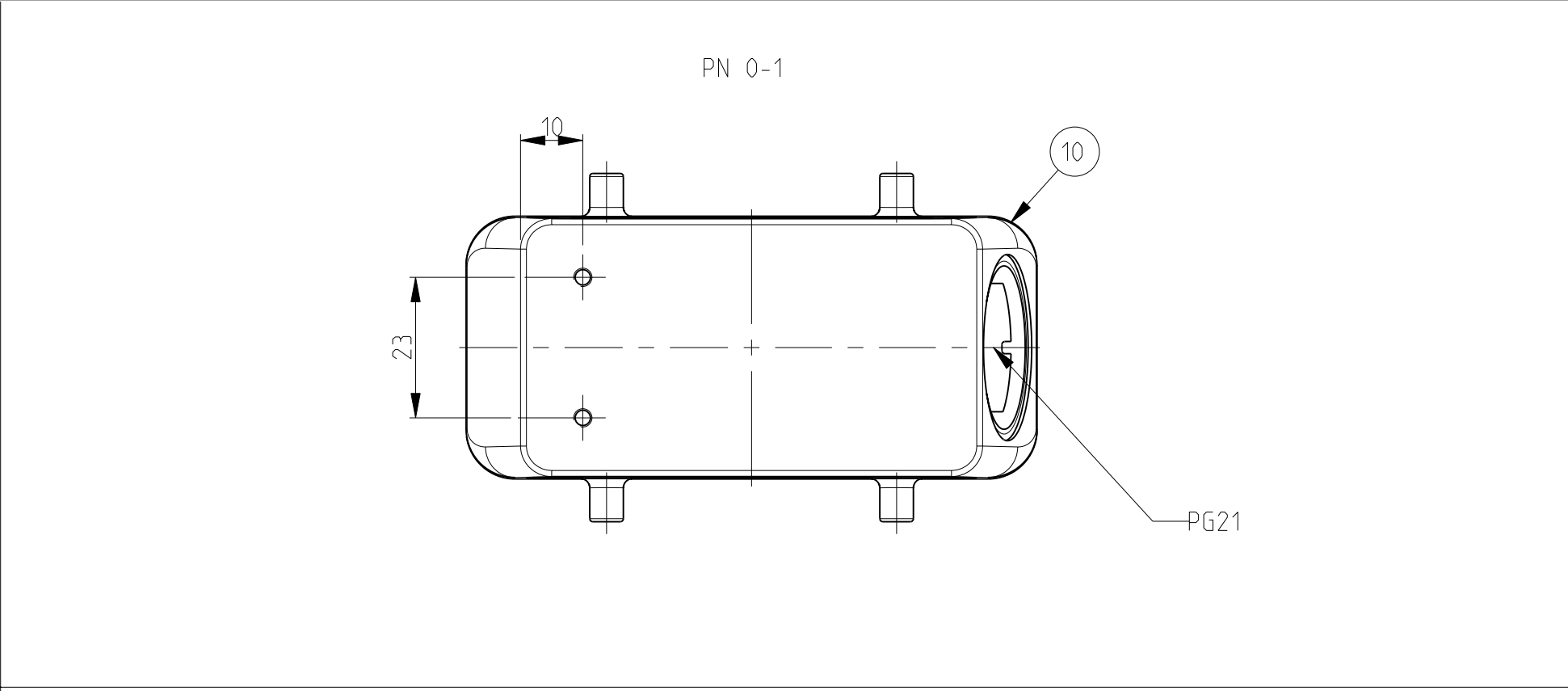
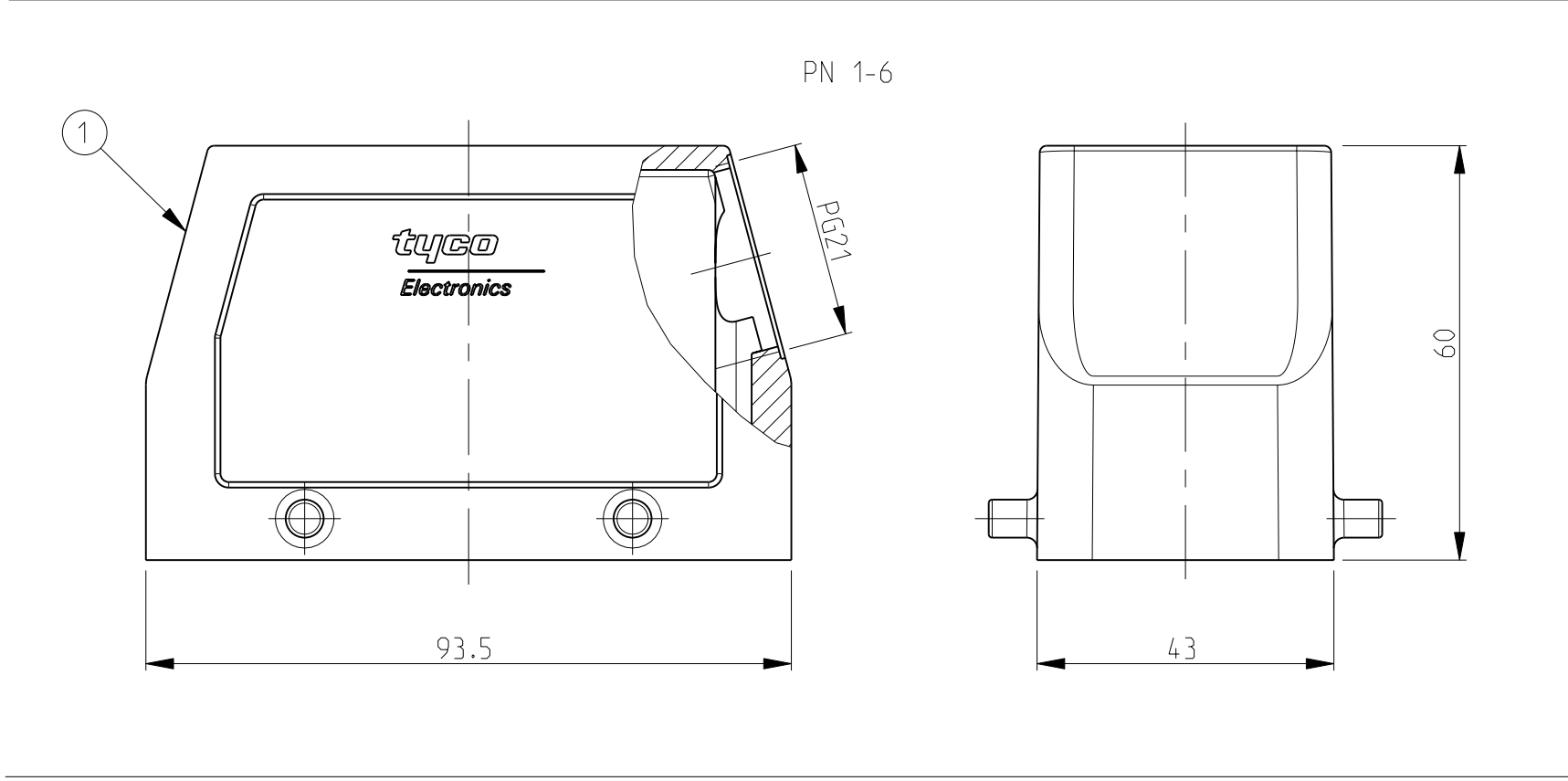
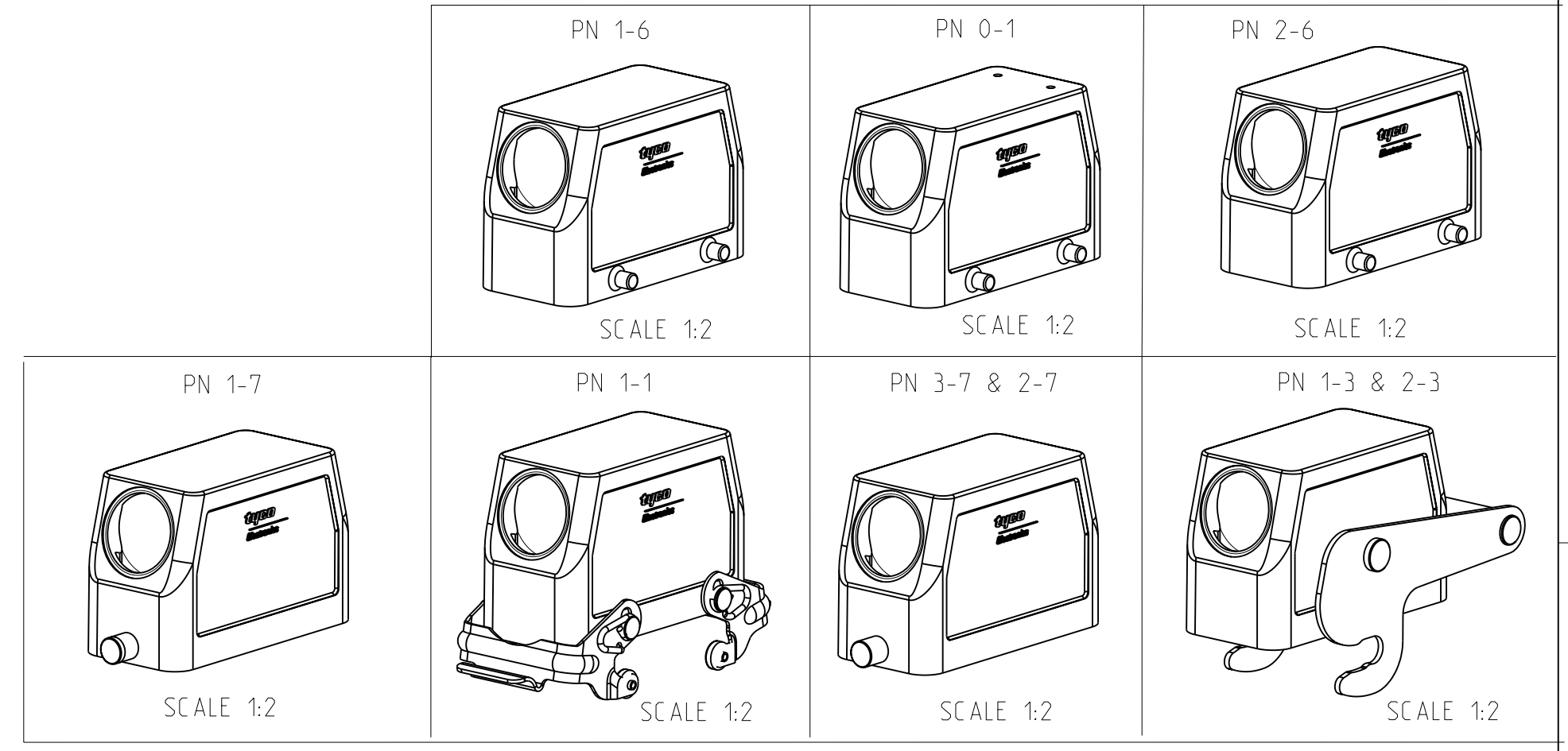


LOC	DIST	REVISIONS			
P	LTB	DESCRIPTION	DATE	DWN	APVD
A6		REVISED PER ECO-09-027197	16DEC2009	KK	AEQ



- NOTES
- Material: Housing: aluminium diecasting alloy
  - Surface: - Powder varnish grey  
- Aluminium oxide+  
- Varnish black
  - Varnish on the inside not necessary
  - Packaging  
Packaging quantity 5 piece in a box
- ⚠️ OBSOLETE PARTS: OBSOLETE CIS STREAMLINING PER D.RENAUD/D.SINISI



QTY	DESCRIPTION	MATERIAL	SURFACE	COLOR	ITEM NO	NOTES
10	Hood HB.16 Pg.1.21	Aluminium		Grey	10	2xM3 for nameplate
1	ZB-Locking Clip	Stainless steel			9	-
2	ZB-Locking Clip	Steel	Zinc plated	Blue	8	-
1	LB-Clip bolt	Stainless steel			7	-
2	LB-Clip bolt	Steel	Zinc plated	Blue	6	Special
1	VS-Locking clip	Steel	Zinc plated	Blue	5	-
1	VS-Clip bolt	Stainless steel			4	-
1	Hood HB.16 Pg.1.21	Aluminium		No varnish	3	-
1	Hood HB.16 Pg.1.21	Aluminium	Aluminium oxide	Black	2	Special
1	Hood HB.16 Pg.1.21	Aluminium		Grey	1	-

ORDERING TEXT

HB.16.STS.1.21.G  
 HB-K.16.STS.1.21.G  
 HB.16.STS-VS.1.21.G  
 HB.16.STS-GR.1.21.G  
 HB-K.16.STS-GR.1.21.G  
 HB-Z.16.STS-ZB.1.21.G  
 HB-K/Z.16.STS-ZB.1.21.G  
 HB.16.STS-GR.1.21.G-SO  
 HB.16.STS.1.21.G-SO

DRN	Schneider	31.03.1999	Tyco Electronics, AMP, GmbH 0-53819, Neunkirchen, Germany
CHK	Schweiger	31.03.1999	
APVD			NAME
PRODUCT SPEC	108-74.001		Hood
APPLICATION SPEC	108-74.003		HB.16.STS.1.21.G
	114-74.004		
WEIGHT			SIZE
CUSTOMER DRAW ING			CAGE CODE
			DRAWING NO
			RESTRICTED TO
			SCALE
			SHEET
			OF
			REV
			A6