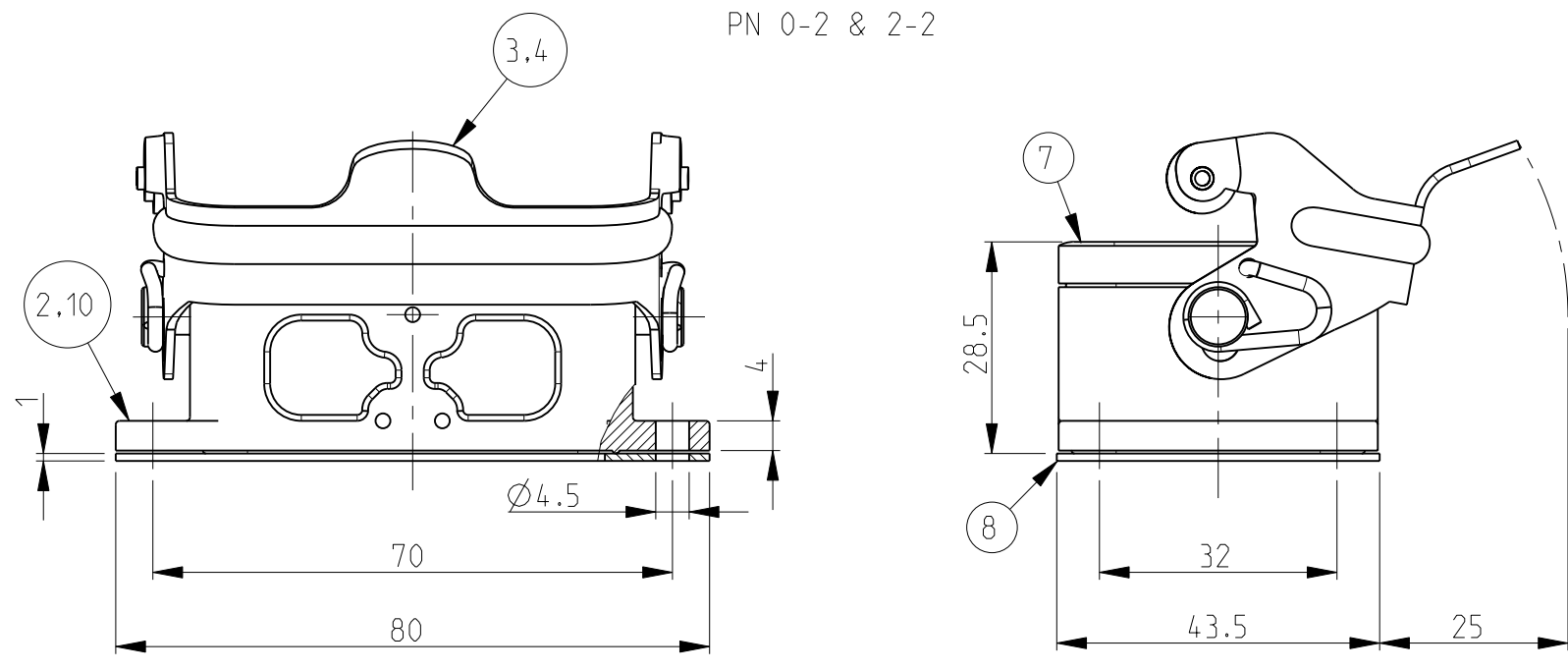


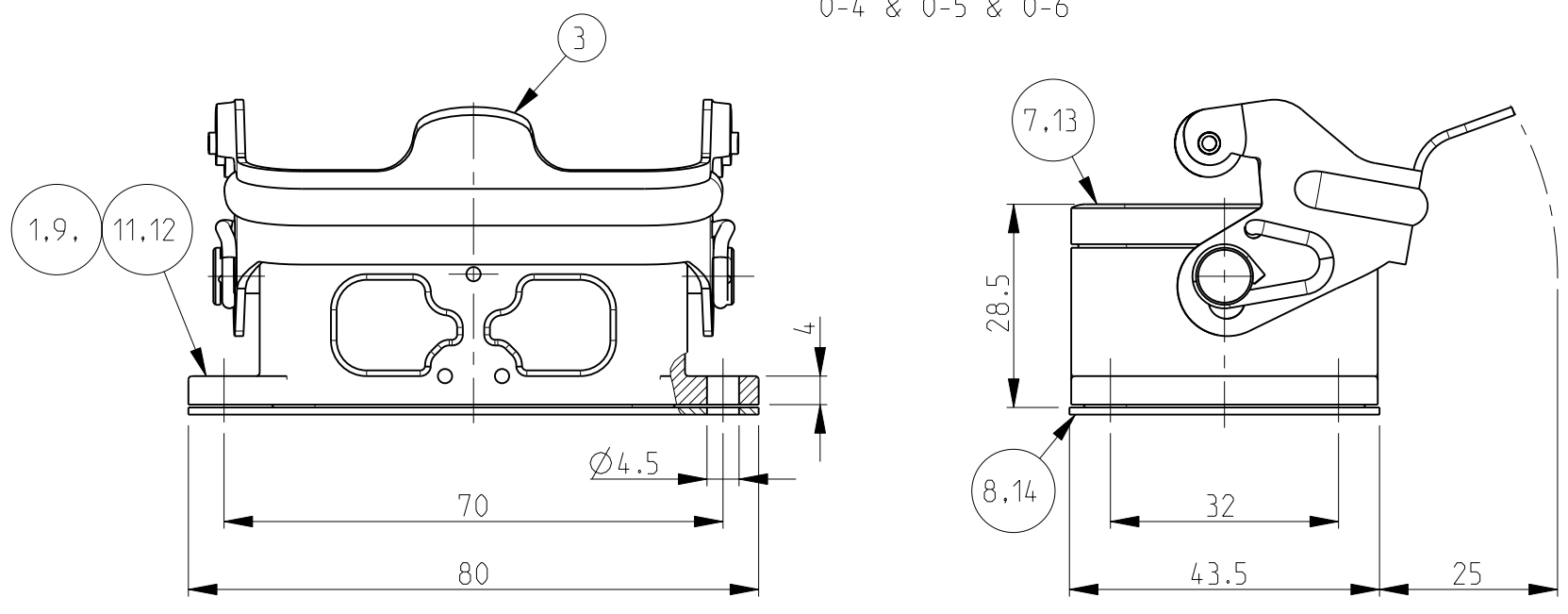
THIS DRAWING IS UNPUBLISHED. RELEASED FOR PUBLICATION .1997
 © COPYRIGHT 1997 BY TYCO ELECTRONICS CORPORATION. ALL RIGHTS RESERVED.

LOC	DIST	REVISIONS			
P	LTR	DESCRIPTION	DATE	DWN	APVD
A1		ECR - 001736	17SEP2009	GW	ST

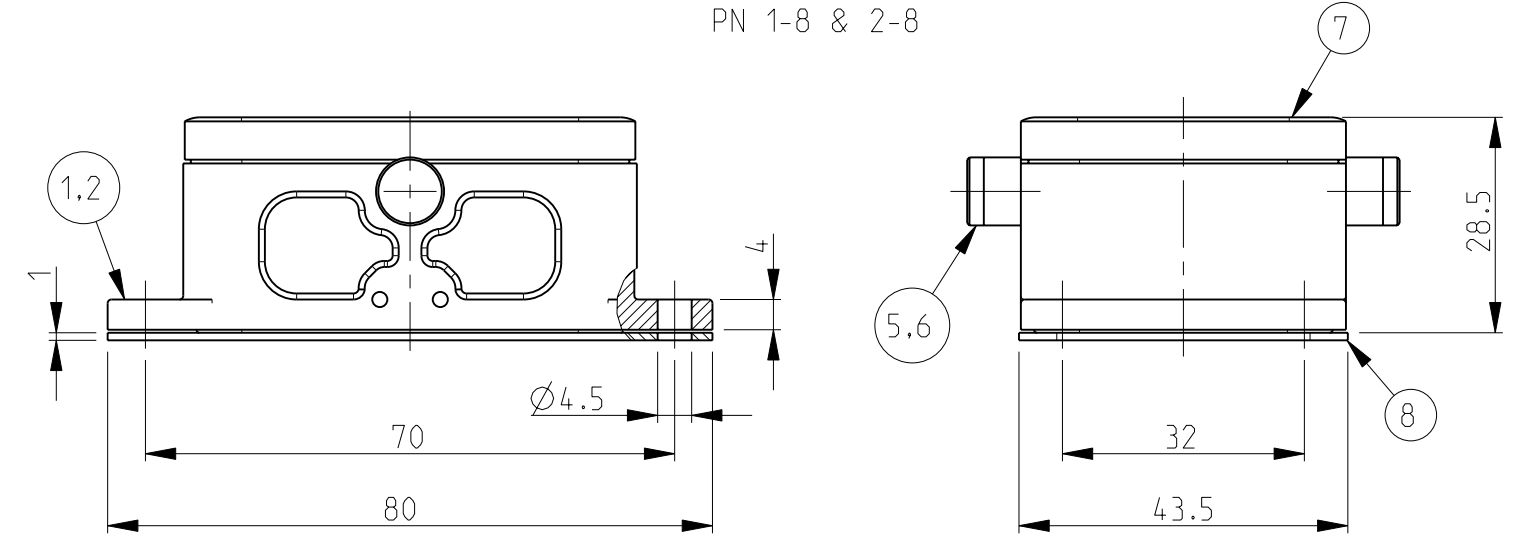
PN 0-2 & 2-2



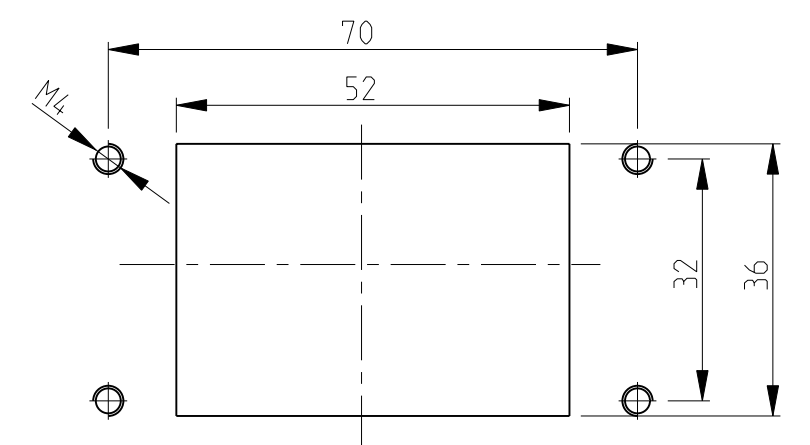
PN 1-2.0-1.0-3, 0-4 & 0-5 & 0-6



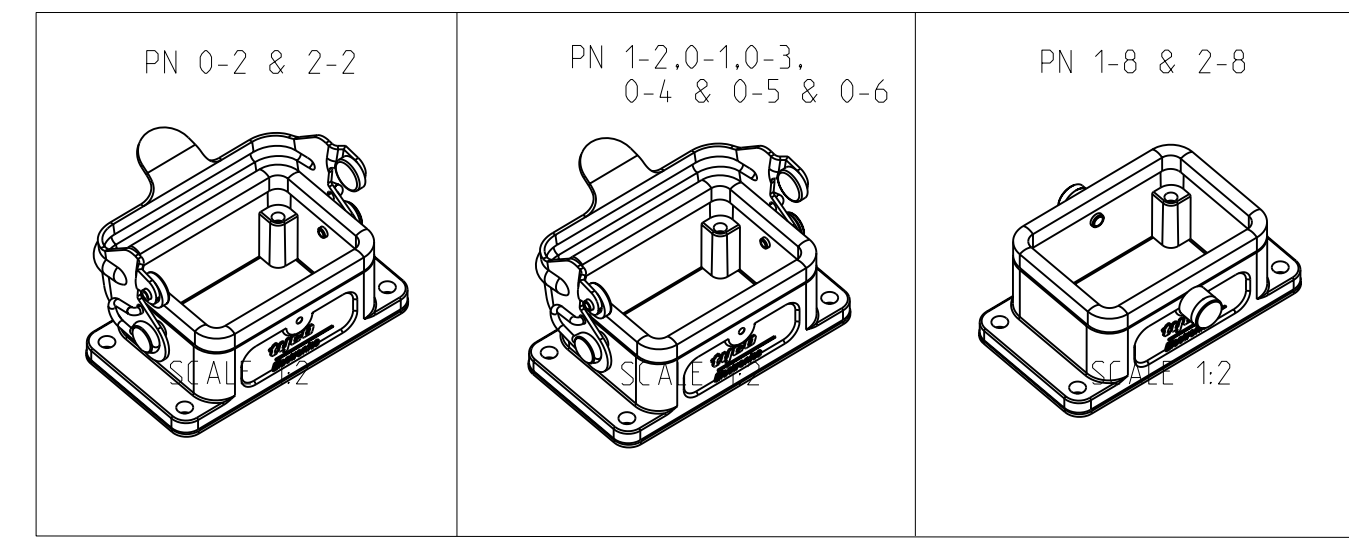
PN 1-8 & 2-8



Panel cut-out



- NOTES.
- Material:Housing:Aluminium Diecasting Alloy
Seals: Neoprene
 - Surface-Varnish Grey
-Aluminium Oxide +
Varnish Black
 - Varnish on the inside not necessary
 - Packaging
Quantity 5 Pieces in a box



OBSOLETE										DESCRIPTION	MATERIAL	SURFACE	COLOR	ITEM NO	NOTES
1										Flange seal	Viton			14	
1										Profile seal	Viton			13	
1	1									Surface mounted housing bottom entry HB	Aluminium		White RAL 9010	12	Without Logo
		1	1							Surface mounted housing bottom entry HB	Aluminium		Grey	11	Without Logo
				1						Surface mounted housing bottom entry HB	Aluminium		Without varnish	10	
					1					Surface mounted housing bottom entry HB	Aluminium		Borning ried	9	
	1	1	1	1	1	1	1	1	1	Flange seal	Neoprene		Black	8	
	1	1	1	1	1	1	1	1	1	Profile seal	Neoprene		Black	7	
						2				ZB-Clip bolt	Stainless steel			6	
							2			ZB-Clip bolt	Steel	Zinc plated	Blue	5	
								1		LB-Side clip	Stainless steel			4	
	1	1	1	1	1	1			1	LB-Side clip	Steel	Zinc plated	Blue	3	
									1	Surface mounted housing bottom entry HB-K	Aluminium	Aluminium oxide	Black	2	
						1			1	Surface mounted housing bottom entry HB	Aluminium		Grey	1	

THIS DRAWING IS A CONTROLLED DOCUMENT FOR TYCO ELECTRONICS CORPORATION IT IS SUBJECT TO CHANGE AND THE CONTROLLING ENGINEERING ORGANIZATION SHOULD BE CONTACTED FOR THE LATEST REVISION.

DWN: Schweiger 23.07.1997
 CHK: Kramer 26.06.1998
 APVD: Kramer

Tyco Electronics Tyco Electronics AMP GmbH
 D-53819, Neunkirchen, Germany

NAME: Surface mounted housing bottom entry HB6

PRODUCT SPEC: 108-74001/74003
 APPLICATION SPEC: 114-74004/74005

SIZE: A2 CAGE CODE: 00779 DRAWING NO: 1102244 RESTRICTED TO: -

MATERIAL: - WEIGHT: -

CUSTOMER DRAWING SCALE: 1:1 SHEET: 1 OF 1 REV: A8