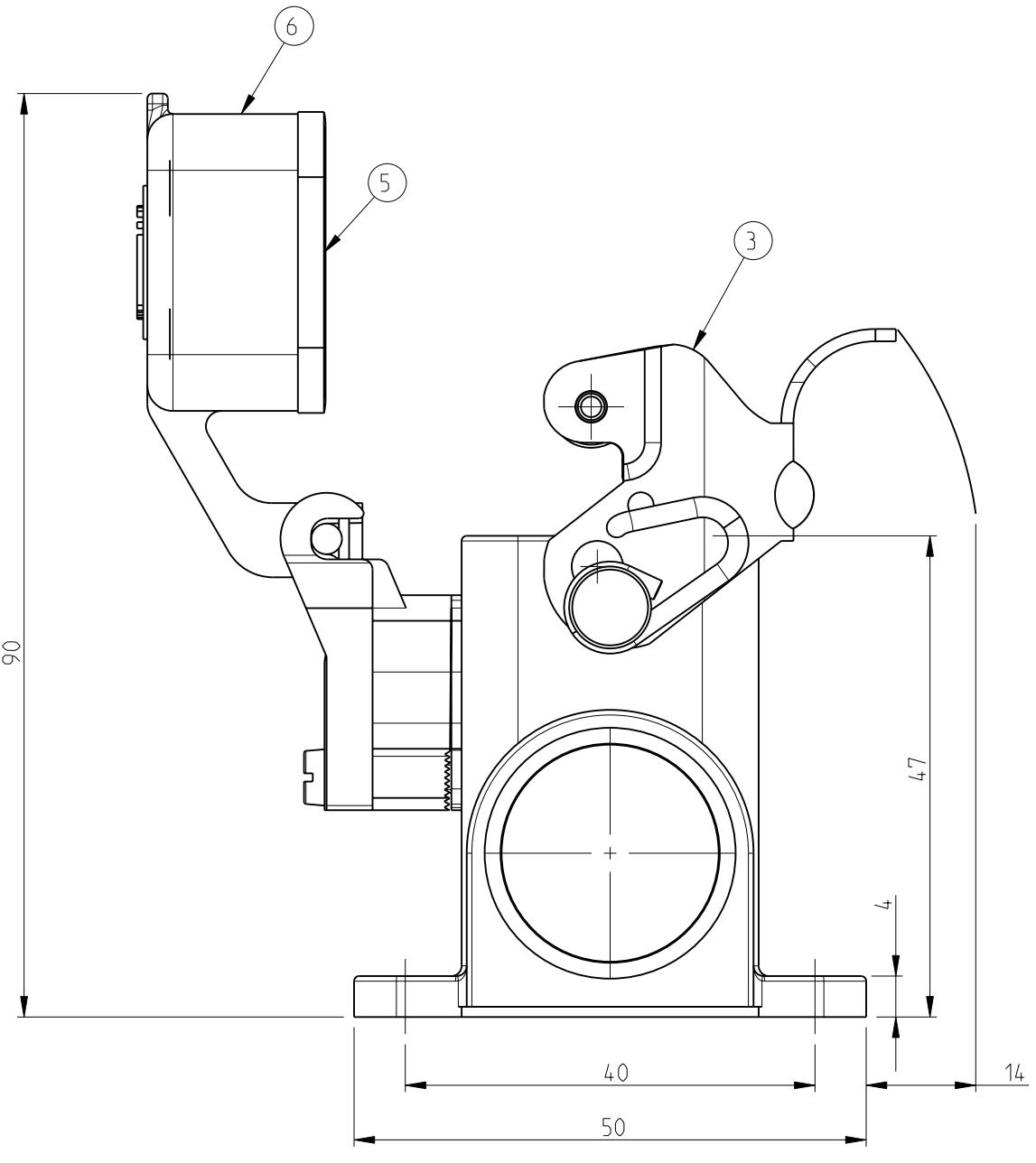
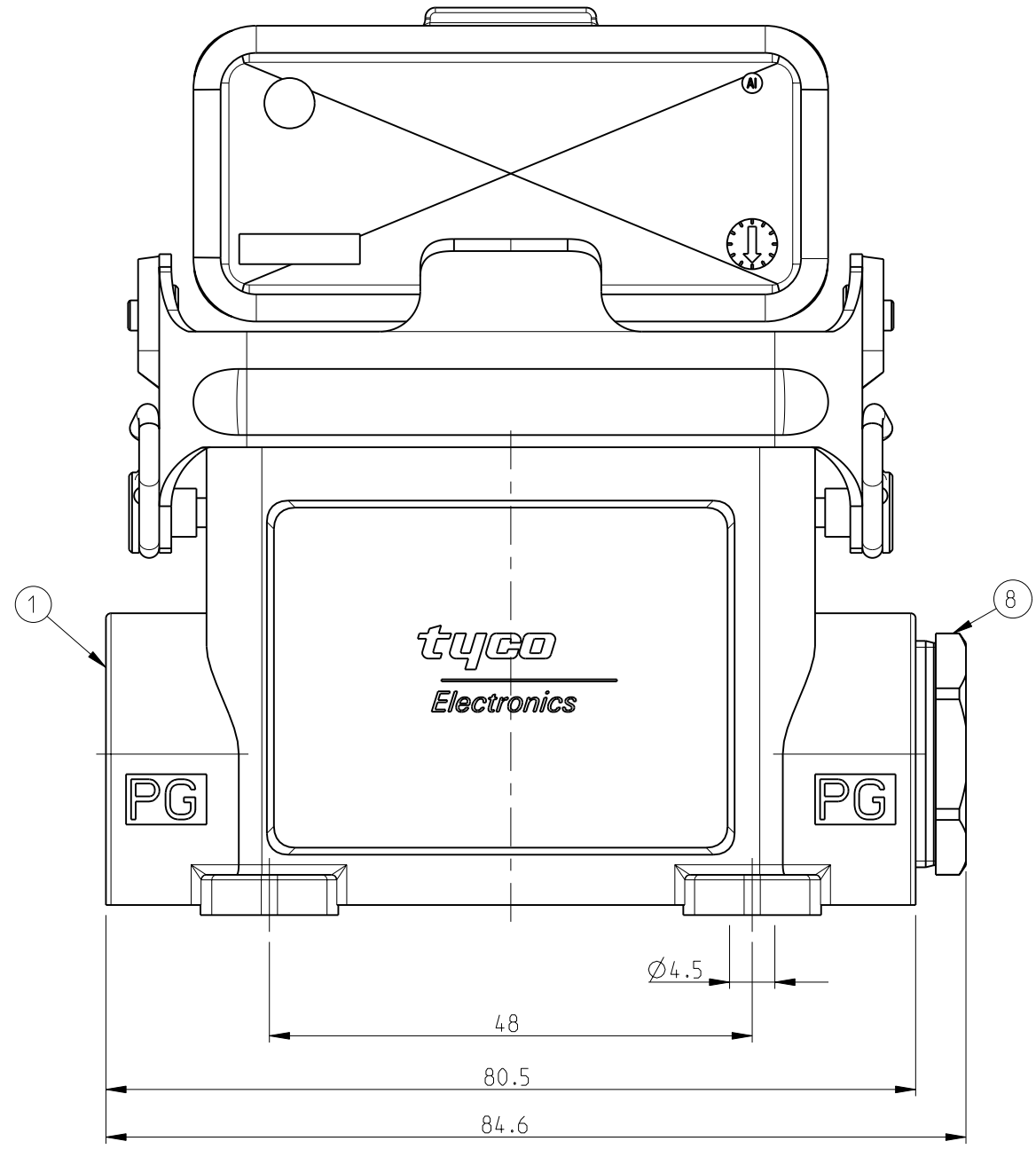
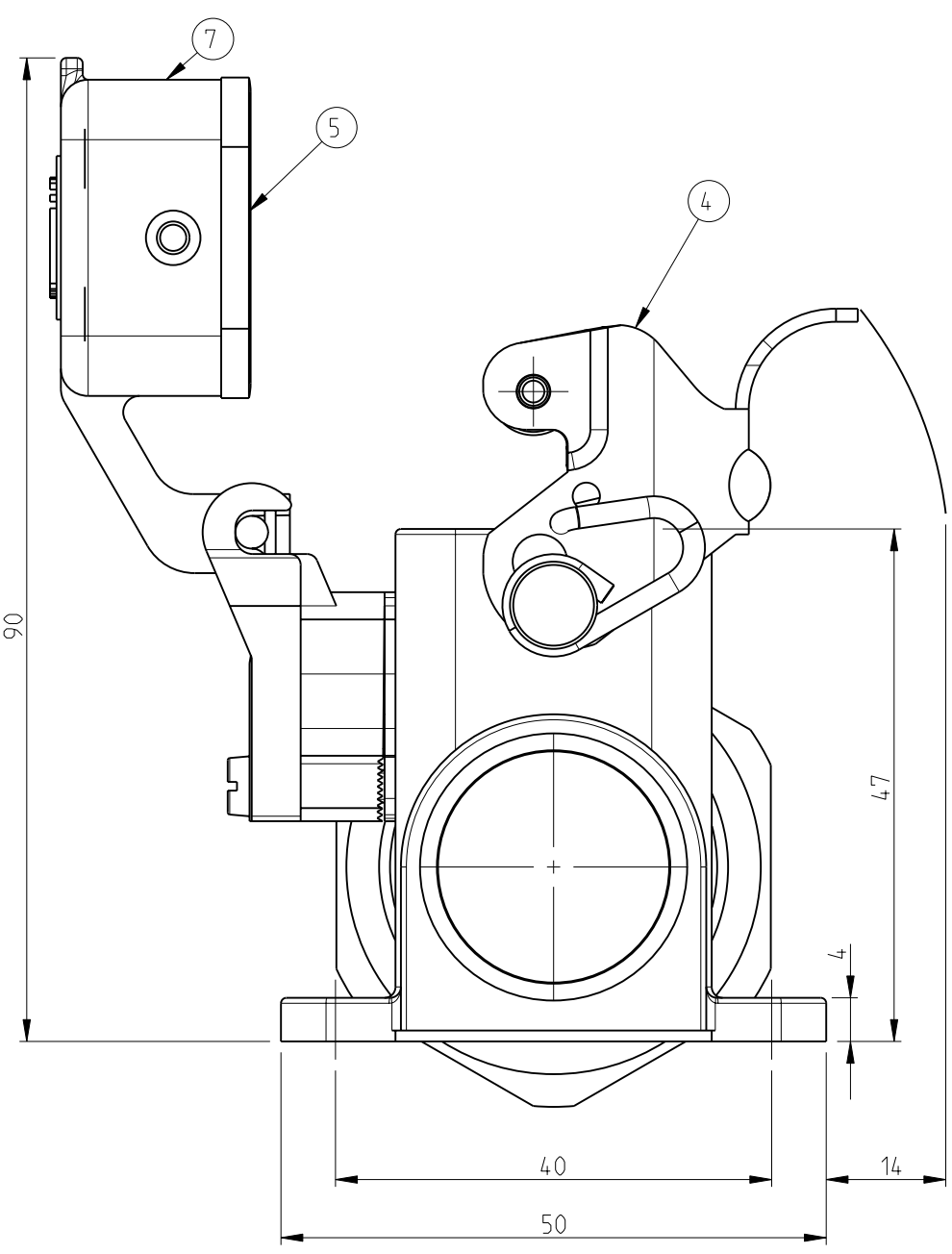
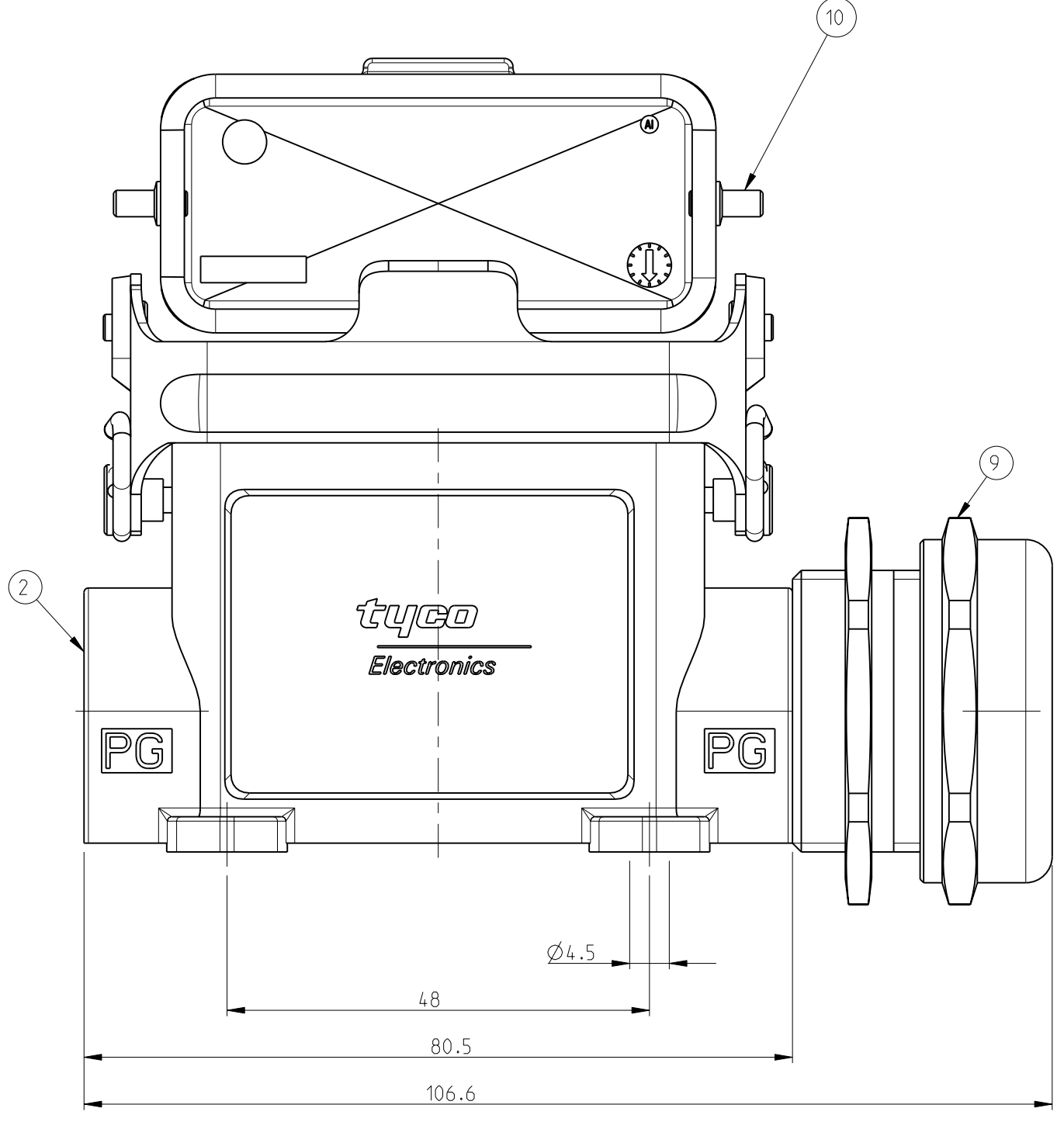


THIS DRAWING IS UNPUBLISHED. RELEASED FOR PUBLICATION 2000  
 © COPYRIGHT 2000 BY TYCO ELECTRONICS CORPORATION. ALL RIGHTS RESERVED.

PN 1-2



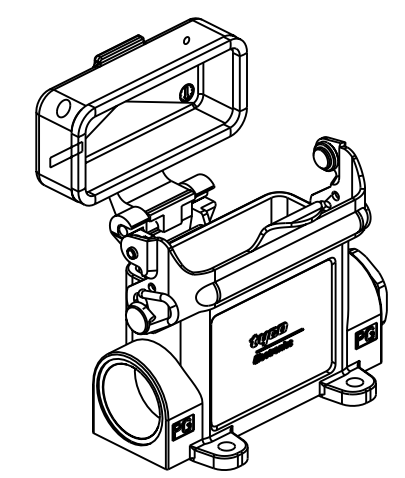
PN 2-2



LOC	DIST	REVISIONS				
P	LTR	DESCRIPTION	DATE	DWN	APVD	
AL	-	B2	RELEASED AS PER ECR-09-005170	05.MAR.2009	GG	TS

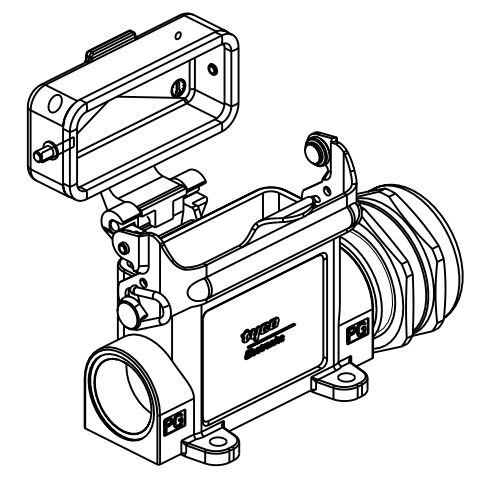
- NOTES
- 1 MATERIAL:HOUSING:ALUMINIUM DIECASTING ALLOY  
SEALS:NEOPRENE
  - 2 SURFACE:VARNISH-ALUMINIUM OXIDE+  
VARNISH BLACK  
-GREY
  - 3 PACKAGING QUANTITY:5 PIECES PER BOX
  - 4 VARNISH ON THE INSIDE NOT NECESSARILY

PN 1-2



SCALE 1:2

PN 2-2



SCALE 1:2

QTY	DESCRIPTION	MATERIAL	SURFACE	COLOR	ITEM NO	REMARKS
2	CLIP BOLT	STAINLES STEEL	-	-	10	-
1	GLAND FITTING Pg16	BRASS	NICKEL PLATED	-	9	-
1	CABLE FITTING Pg16	BRASS	NICKEL PLATED	-	8	-
1	COVER	ALUMINIUM	ALUMINIUM OXIDE	BLACK	7	-
1	COVER	ALUMINIUM	-	GREY	6	-
1	PROFILE SEAL	NEOPRENE	-	BLACK	5	-
1	CLIP	STAINLES STEEL	-	-	4	-
1	CLIP	STEEL	ZINC PLATED	BLUE	3	-
1	SURFACE MOUNTED HOUSING	ALUMINIUM	ALUMINIUM OXIDE	BLACK	2	-
1	SURFACE MOUNTED HOUSING	ALUMINIUM	-	GREY	1	-
2-2	DESCRIPTION	MATERIAL	SURFACE	COLOR	ITEM NO	REMARKS
HA-10.SG-LB.1.16						
HA-K.10.SG-LB.1.16						

THIS DRAWING IS A CONTROLLED DOCUMENT FOR TYCO ELECTRONICS CORPORATION  
 IT IS SUBJECT TO CHANGE AND THE CONTROLLING ENGINEERING ORGANIZATION  
 SHOULD BE CONTACTED FOR THE LATEST REVISION.

DIMENSIONS: mm

TOLERANCES UNLESS OTHERWISE SPECIFIED:  
 0 PLC ±  
 1 PLC ±  
 2 PLC ±  
 3 PLC ±  
 4 PLC ±  
 ANGLES ±

MATERIAL FINISH

DWN: S.KUMAR 02.27.2006  
 CHK: R.SRINIVAS 02.27.2006  
 APVD: T.SCHNURPFELT 02.27.2006

PRODUCT SPEC: 108-74009  
 APPLICATION SPEC: 114-74004  
 WEIGHT: -

CUSTOMER DRAWING

Tyco Electronics, AMP.GmbH  
 D-53757 Sankt Augustin, Germany

NAME: SURFACE MOUNTED HOUSING-SIDE ENTRY  
 HA.10.LB.1.16

SIZE: A2 CAGE CODE: 00779 DRAWING NO: 1102127 RESTRICTED TO: -

SCALE: 5:1 SHEET 1 OF 1 REV: B2