

A

B

C

D

1

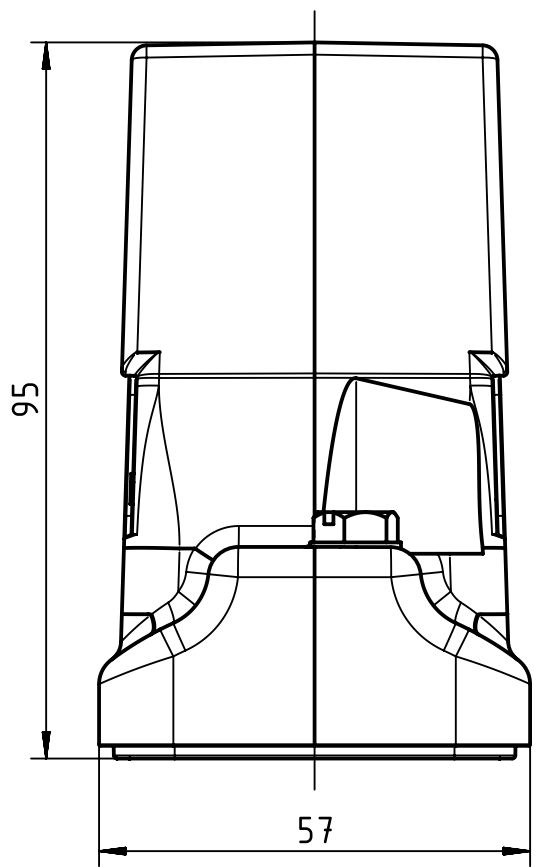
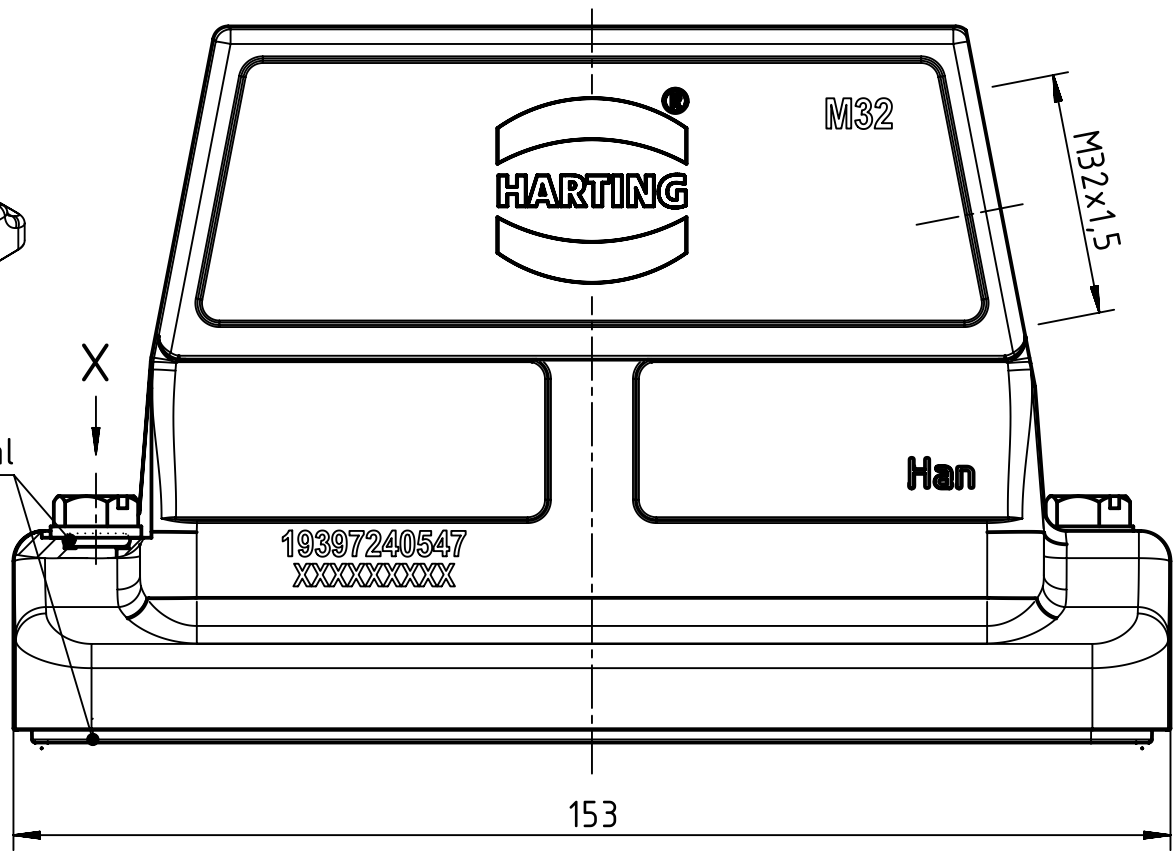
2

3

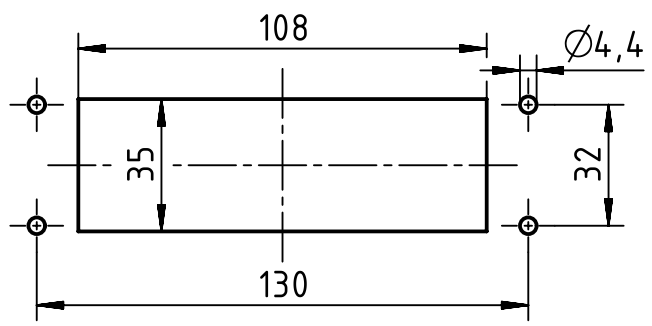
4

5

6



Panel cut out (1:2)



	All Dimensions in mm Original Size DIN A4		Scale 1:1	Free size tol.		Ref.
	All rights reserved Department EL PD - CN		Created by LONGL	Inspected by WENE	Standardisation SCHMIDTM	Sub.
HARTING (Zhuhai) Manufacturing Co., Ltd. 519085 Zhuhai, China			Title Han 24HP Direct/M-HSE-M32			Date 2017-03-20
			Number 19 39 724 0547		State Final Release	Doc-Key / ECM-Nr. 100664908/UGD/004/C 500000116979
			Type TB			Rev. C
					Page 1/1	