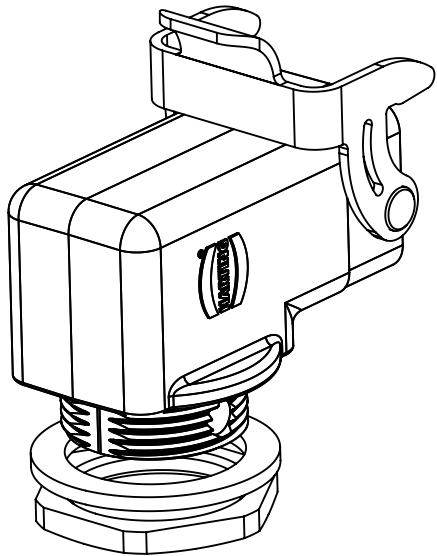
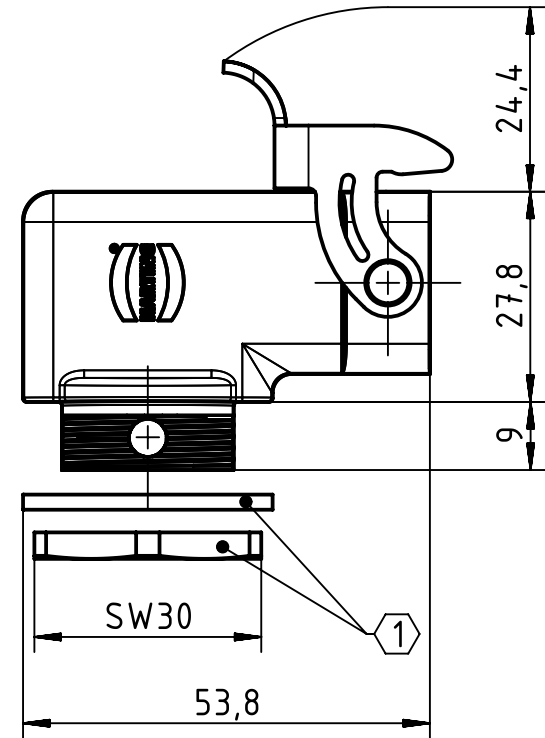
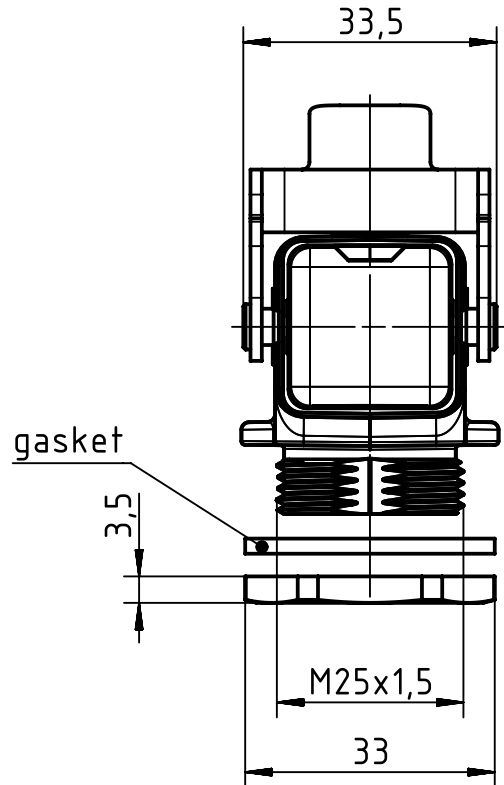
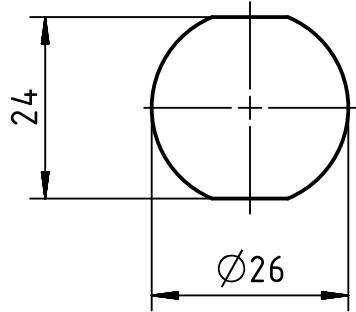


1:1
panel cut out



① enclosed separately

	All Dimensions in mm Original Size DIN A4		Scale 1:1	Free size tol.		Ref.	
						Sub.	
	All rights reserved Department EL PD - DE		Created by MOELLERLI	Inspected by BEISCHER	Standardisation RUETERA	Date 2018-04-11	State Final Release
	HARTING Electric GmbH & Co. KG D-32339 Espelkamp		Title Han 3M-Base angled-M25			Doc-Key / ECM-Nr. 100722072/UGD/001/C 500000133693	
			Type TB	Number 19 37 003 1165		Rev. C	Page 1/1