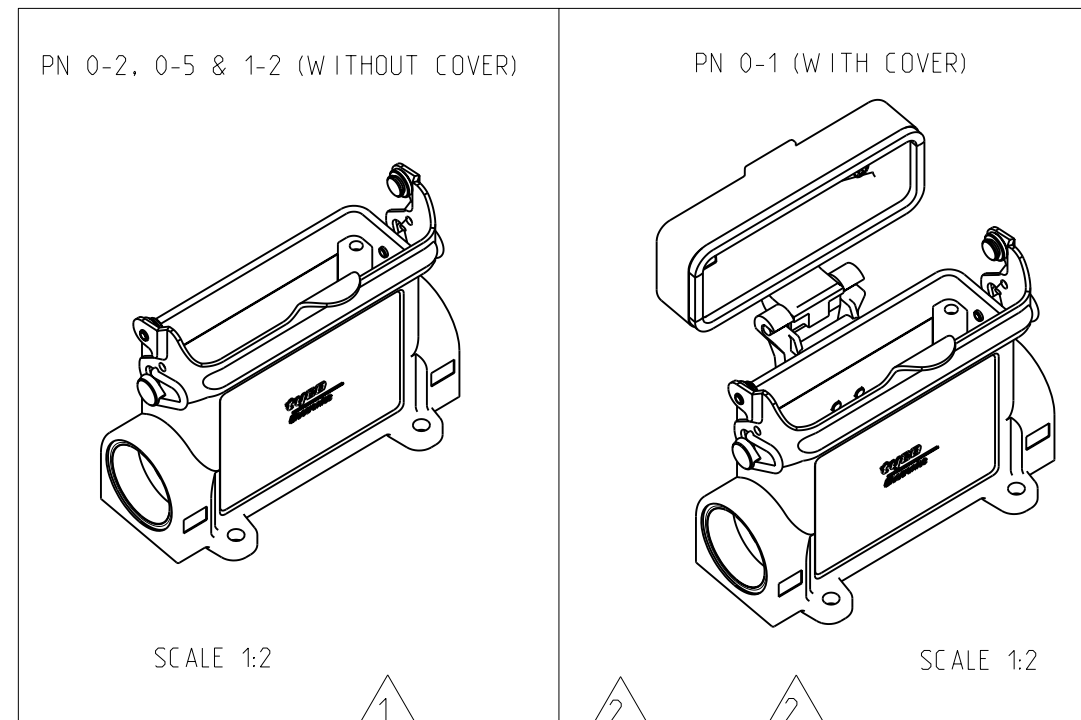
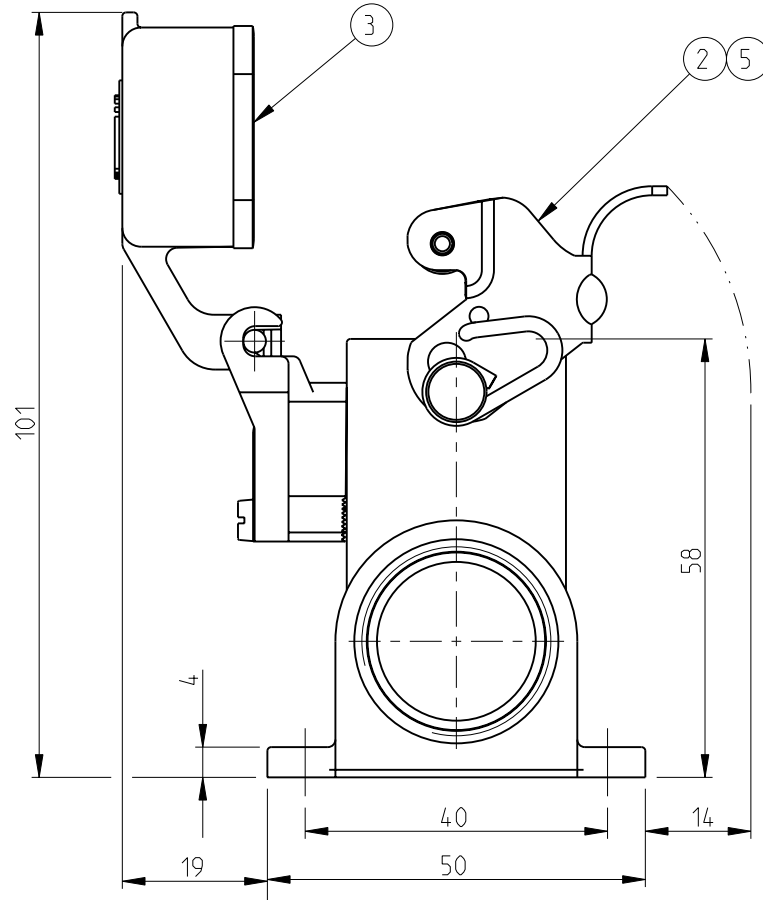
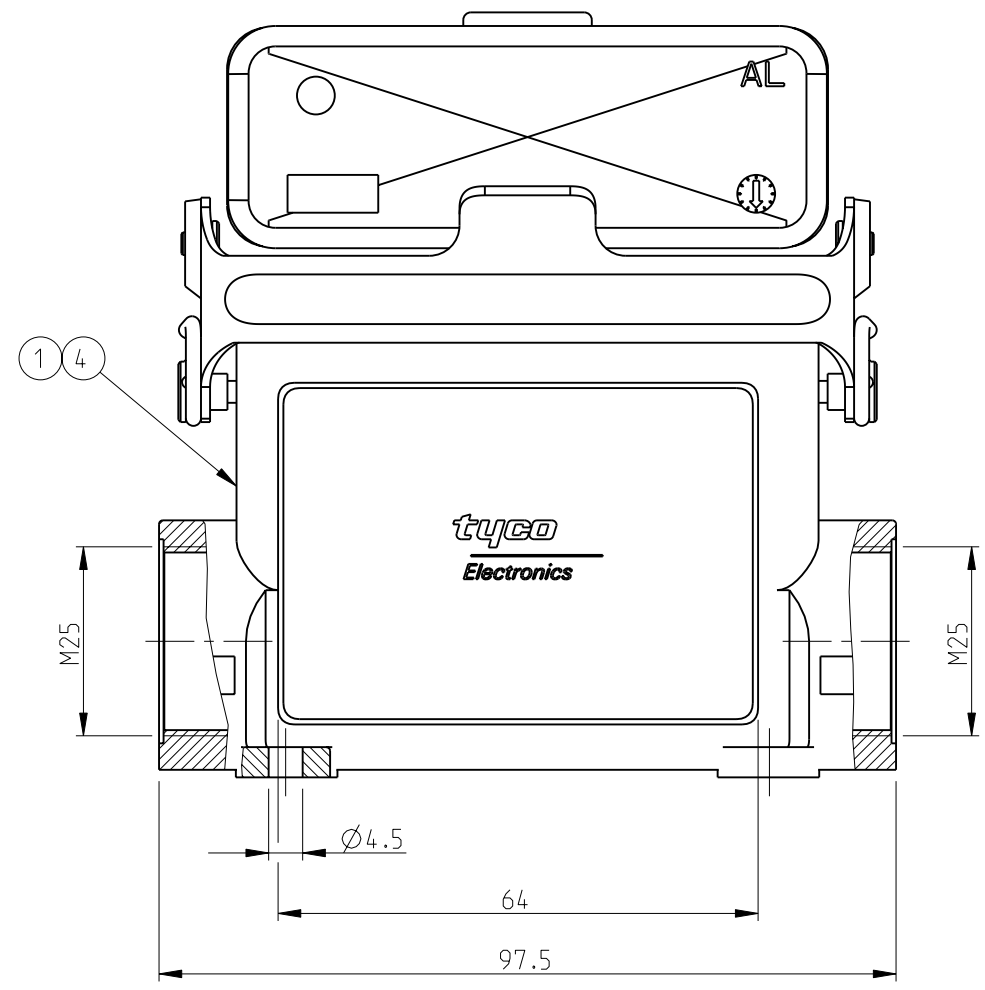


THIS DRAWING IS UNPUBLISHED. RELEASED FOR PUBLICATION 2000
 © COPYRIGHT 2000 BY TYCO ELECTRONICS CORPORATION. ALL RIGHTS RESERVED.

LOC	DIST	REVISIONS				
P	LTR	DESCRIPTION	DATE	DWN	APVD	
A1	-	B4	ECR-10-017493	01.02.11	SR	AR

- NOTES:
- 1 MATERIAL: SEE TABLE
 - 2 SURFACE: SEE TABLE
 - 3 VARNISH ON THE INSIDE NOT NECESSARY
 - 4 PACKAGING QUANTITY: 5 PIECES PER BOX
 - 5 SPECIAL PACKING



OBSOLETE				1		2		2	
1	2	3	4	DESCRIPTION	MATERIAL	SURFACE	COLOR	ITEM NO.	REMARKS
1	-	-	-	CLIP	STAINLESS STEEL	BLANK	-	5	
1	-	-	-	SURFACE MOUNTED HOUSING-SIDE ENTRY HD-K	ALUMINIUM	ALUMINIUM OXIDE	BLACK	4	
-	-	-	1	COVER	ALUMINIUM	-	GREY	3	
-	1	1	1	CLIP	STEEL	ZINC PLATED	BLUE	2	
-	1	1	1	SURFACE MOUNTED HOUSING-SIDE ENTRY HD	ALUMINIUM	-	GREY	1	

ORDERING TEXT
 HD25.SGD-LB.2.M25.Z — OBSOLETE
 HD25.SG-LB.2.M25.Z
 HD25.SG-LB.2.M25.Z.KM
 HD-K.25.SG-LB.1.M25.Z

<small>THIS DRAWING IS A CONTROLLED DOCUMENT FOR TYCO ELECTRONICS CORPORATION IT IS SUBJECT TO CHANGE AND THE CONTROLLING ENGINEERING ORGANIZATION SHOULD BE CONTACTED FOR THE LATEST REVISION.</small>		DWN S.KUMAR 4/24/2006 CHK P.BENNUR 4/24/2006 APVD T.SCHNURPFEL 4/24/2006		Tyco Electronics.AMP.GmbH 53757.SanktAugustin.Germany	
DIMENSIONS: mm 		TOLERANCES UNLESS OTHERWISE SPECIFIED: 0 PLC ± 1 PLC ± 2 PLC ± 3 PLC ± 4 PLC ± ANGLES ±		NAME SURFACE MOUNTED HOUSING SIDE ENTRY HD25.SG/SGD-LB.2.M25.Z PRODUCT SPEC 108-74009 APPLICATION SPEC 114-74004 WEIGHT -	
MATERIAL 1		FINISH 2		SIZE A3 CAGE CODE 00779 DRAWING NO C=1106441 RESTRICTED TO -	
CUSTOMER DRAWING				SCALE 1:1 SHEET 1 OF 1 REV B4	