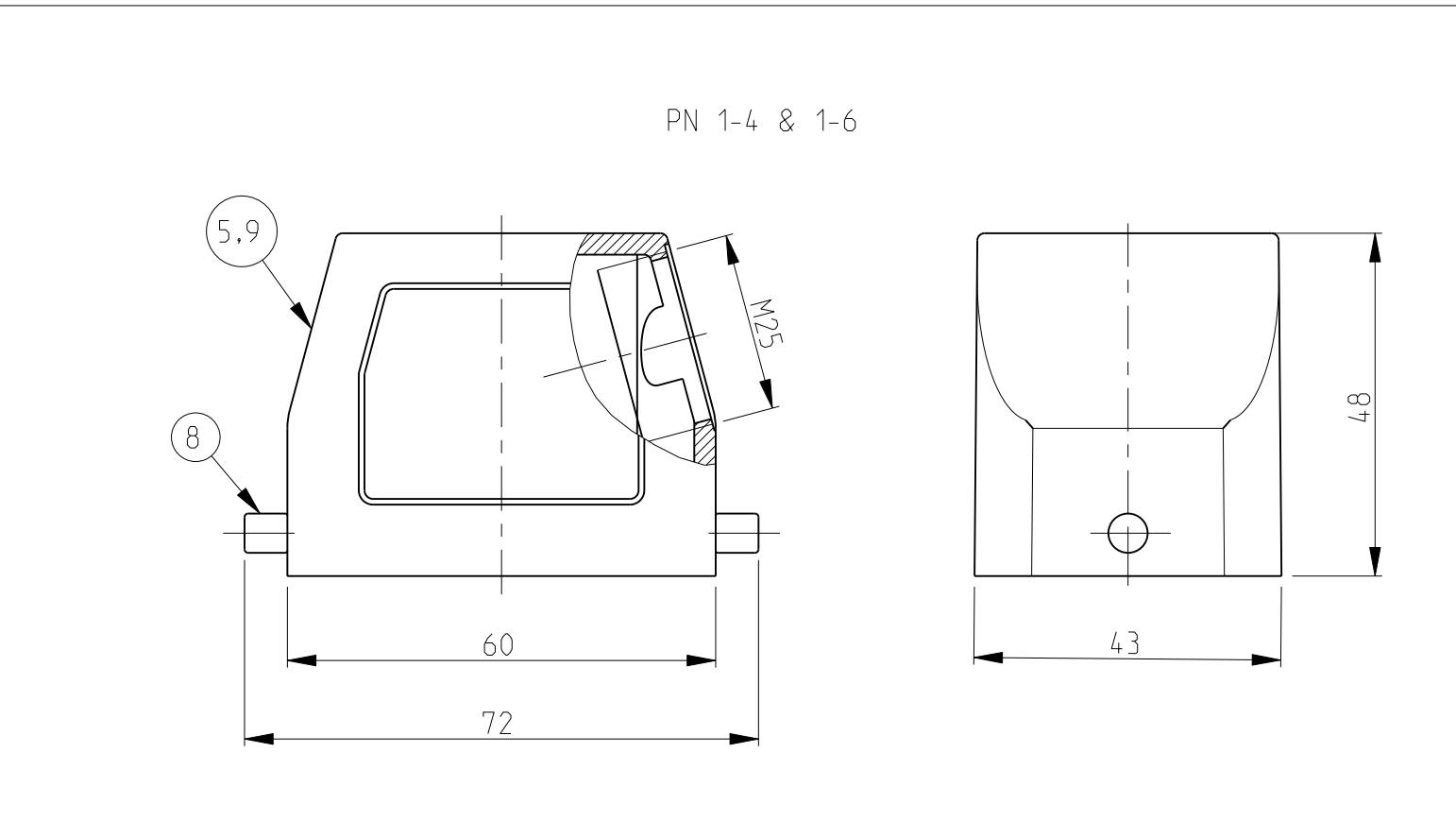
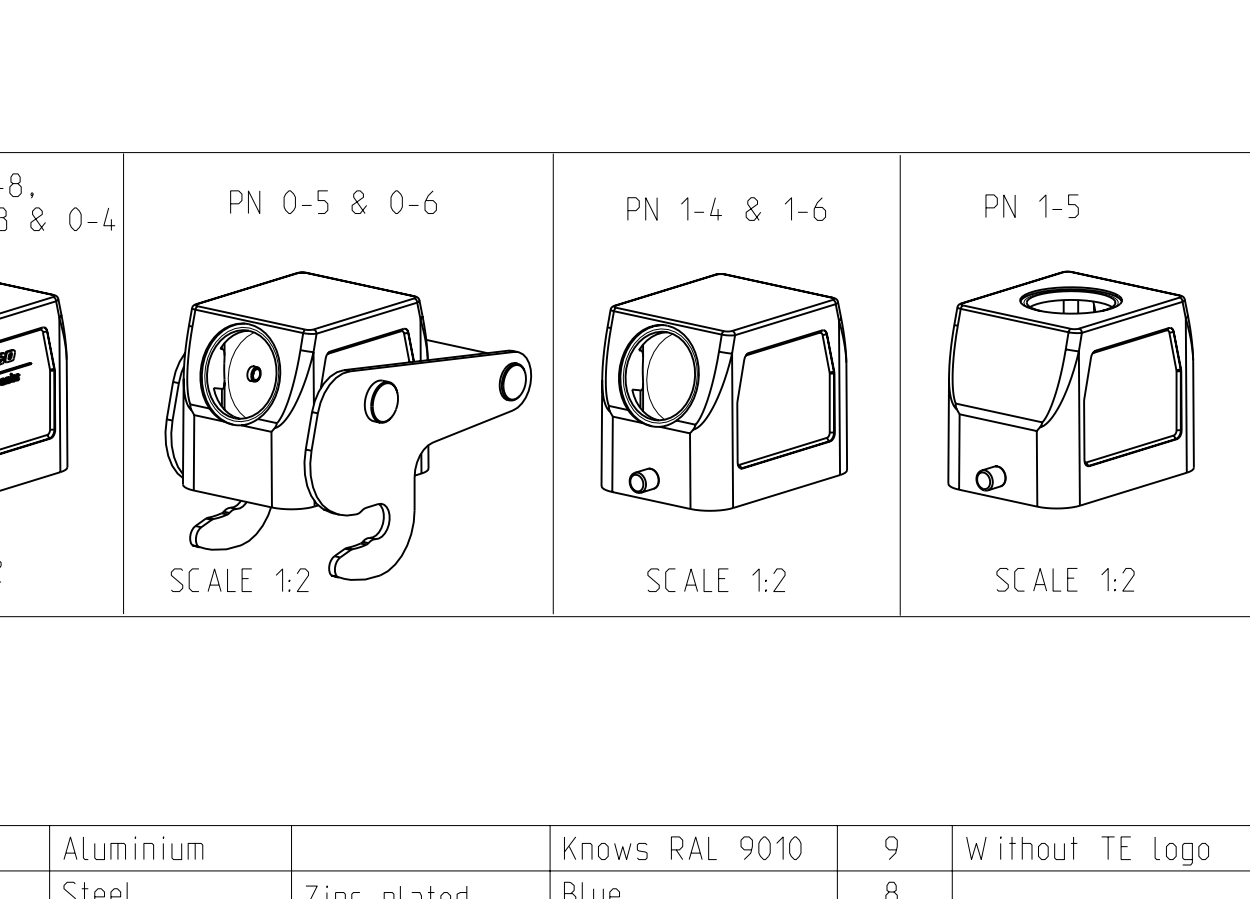


Notes

- 1 Material:Housing: Aluminium diecasting alloy
- 2 Surface:-Powder varnish-grey
-Aluminium oxide+varnish black
-chromit AL TCP passivation
+varnish black
- 3 Varnish on the inside not necessary
- 4 Packaging
Packaging quantity: 5 pieces in a box



1-7	1-6	1-5	1-4	1-3	1-2	1-1	1-0	0-9	0-8	0-7	0-6	0-5	0-4	0-3	0-2	0-1	DESCRIPTION	MATERIAL	SURFACE	COLOR	ITEM NO	NOTES
																	Hood HB	Aluminium		Knows RAL 9010	9	Without TE Logo
	2	2															LB-Clip bolt	Steel	Zinc plated	Blue	8	
1				1													Hood HB	Aluminium		Fire red RAL3000	7	
		1	1			1											Hood HB-EMV	Aluminium	SEE NOTE Δ	Black	6	
												1					Hood HB	Aluminium		Grey	5	Without TE Logo
													1				ZB-Locking clip	Stainless steel	Blank		4	
													1	1	1		ZB-Locking clip	steel	Zinc plated	Blue	3	
																1	Hood HB-K	Aluminium	Aluminium oxide	Black	2	
																1	Hood HB	Aluminium		Grey	1	

1	2	2	1	1	1	1	1	1	1	1	1	1	1	1	1	1	1	1	1	1	1	1
HB-EMV-6-STO-1.M25.G	HB-6-STO-1.M25.G	HB-6-STO-1.M25.G	HB-6-STO-1.M25.G	HB-6-STO-1.M25.G	HB-6-STO-1.M25.G	HB-6-STO-1.M25.G	HB-6-STO-1.M25.G	HB-6-STO-1.M25.G	HB-6-STO-1.M25.G	HB-6-STO-1.M25.G	HB-6-STO-1.M25.G	HB-6-STO-1.M25.G	HB-6-STO-1.M25.G	HB-6-STO-1.M25.G	HB-6-STO-1.M25.G	HB-6-STO-1.M25.G	HB-6-STO-1.M25.G	HB-6-STO-1.M25.G	HB-6-STO-1.M25.G	HB-6-STO-1.M25.G	HB-6-STO-1.M25.G	HB-6-STO-1.M25.G

THIS DRAWING IS A CONTROLLED DOCUMENT FOR TYCO ELECTRONICS CORPORATION
IT IS SUBJECT TO CHANGE AND THE CONTROLLING ENGINEERING ORGANIZATION
SHOULD BE CONTACTED FOR THE LATEST REVISION.

DIMENSIONS: mm

TOLERANCES UNLESS OTHERWISE SPECIFIED:

0	PLC	±
1	PLC	±
2	PLC	±
3	PLC	±
4	PLC	±
	ANGLES	±
	FINISH	±

MATERIAL

DWN	Schneider	28.11.02		Tyco Electronics AMP, GmbH D-53819, Neunkirchen, Germany
CHK	Schweiger	28.11.02		
APVD				
PRODUCT SPEC			NAME	
108-74001/74003			HOOD HB6	
APPLICATION SPEC			SIZE	CAGE CODE
114-74001/74004/74005			A2	00779
WEIGHT			DRAWING NO	RESTRICTED TO
CUSTOMER DRAWING			©=1106419	
SCALE 1:1			SHEET 1 OF 1	REV. A11