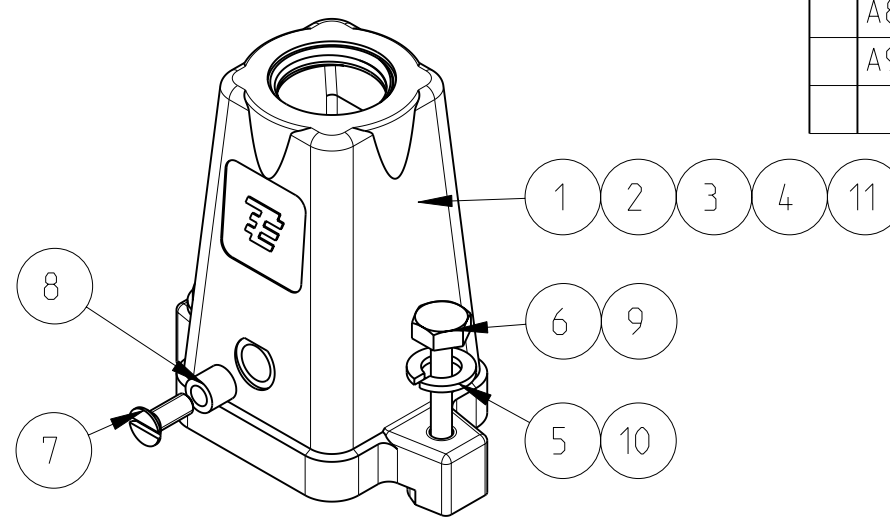
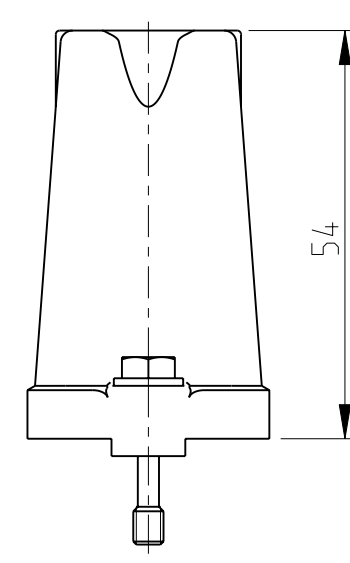
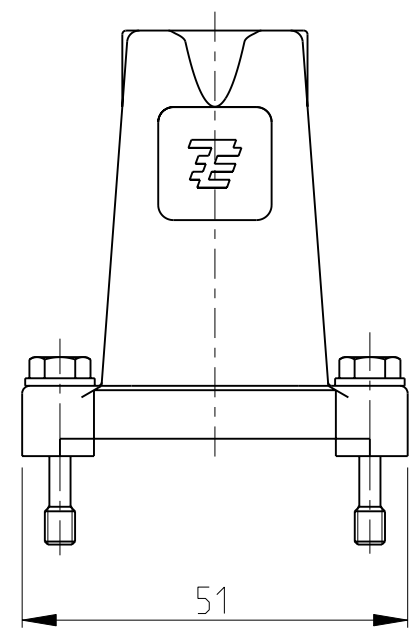


THIS DRAWING IS UNPUBLISHED. RELEASED FOR PUBLICATION 2009  
 © COPYRIGHT 2009 BY TYCO ELECTRONICS CORPORATION. ALL RIGHTS RESERVED.

LOC	DIST	REVISIONS			
P	LTR	DESCRIPTION	DATE	DWN	APVD
A1	-	A7	ECR-09-023155	22OCT2009	VG AR
		A8	ECR-10-000686	12JAN2010	SR AR
		A9	ECR-10-009092	28APR2010	RO BR

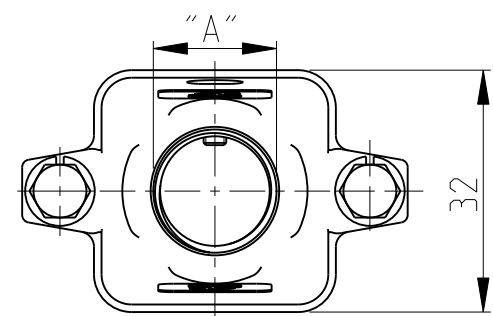


PN 0-1 AS SHOWN

PART NO.	ORDERING TEXT
0-1106402-7	EMV-K.3/4.ST-N
0-1106402-6	EMV-K.3/4.STO.1.M20.G
0-1106402-5	EMV-K.3/4.STO.1.M16.G
0-1106402-4	EMV.3/4.STO.1.M16.G
0-1106402-3	EMV-K.3/4.STO.1.M20.G
0-1106402-2	EMV.3/4.STO.1.M16.G
0-1106402-1	EMV-K.3/4.STO.1.M16.G

Notes

- 1 SUITABLE HOUSINGS: SERIES EMV, SIZE 1 CUSTOMER DRAWING 1102703; 1102702
- 2 STANDARDS: DIN EN 61984, DIN EN 60664-1
- 3 SURFACE: CHROMIT AL TCP PASSIVATION
- 4 TOOLS: SLOTTED SCREW DRIVER 4.0x0.8 HEXAGON SCREW DRIVER 7mm
- 5 VARNISH ON INSIDE AREA NOT NECESSARY
- 6 PACKAGING: 10 SETS IN A CARTON, PRE-MOUNTED



PN/QTY	DESCRIPTION	"A"	MATERIAL	COLOR/SURFACE	NOTE	ITEM	
1	CONNECTOR HOUSING		ALU ALLOY	BLACK	SERIES EMV-K.3/4.ST-N, SIZE 1, METRIC, W/O THREAD & LOGO	11	
- 2 2 2	WASHER, PLAIN		STAINL. STEEL	BLANK	A4, DIN EN ISO 7089, 200HV (V4A)	10	
- 2 2 2	SCREW, HEXAGON BOLT		STAINL. STEEL	BLANK	M4x22 DIN EN ISO 7964, REDUCED SHUNK (V4A)	9	
1 1 1 1 1 1 1	HOSE SECTION		FKM	BLACK	SERIES EMV / HIP, Ø3x1x4.5	8	
1 1 1 1 1 1 1	SCREW, SLOTTED COUNTERS. FLAT HEAD		STAINL. STEEL	BLANK	M3x8 DIN EN ISO 2009	7	
2 - - - 2 2 2	SCREW, HEXAGON BOLT		STAINL. STEEL	BLANK	M4x22 DIN EN ISO 7964, REDUCED SHUNK	6	
2 - - - 2 2 2	WASHER, PLAIN		STAINL. STEEL	BLANK	A4, DIN EN ISO 7089, 200HV	5	
- 1 - - - - -	CONNECTOR HOUSING	M20	ALU ALLOY	WHITE	3	SERIES EMV-K, SIZE 1, METRIC	4
- - - - 1 - -	CONNECTOR HOUSING	M20	ALU ALLOY	BLACK	3	SERIES EMV-K, SIZE 1, METRIC	3
- - 1 - - 1 -	CONNECTOR HOUSING	M16	ALU ALLOY	BLACK	3	SERIES EMV-K, SIZE 1, METRIC	2
- - - 1 - - 1	CONNECTOR HOUSING	M16	ALU ALLOY	GREY		SERIES EMV, SIZE 1, METRIC	1

PARTS LIST (PER ONE UNIT)

<small>THIS DRAWING IS A CONTROLLED DOCUMENT FOR TYCO ELECTRONICS CORPORATION IT IS SUBJECT TO CHANGE AND THE CONTROLLING ENGINEERING ORGANIZATION SHOULD BE CONTACTED FOR THE LATEST REVISION.</small>		DWN V.GLUMM 14AUG2009 CHK H.Braun 14AUG2009 APVD T.Schnurpfeil 14AUG2009	Tyco Electronics AMP GmbH 53757 Sankt Augustin (Germany)
DIMENSIONS: mm 	TOLERANCES UNLESS OTHERWISE SPECIFIED: 0 PLC ±- 1 PLC ±- 2 PLC ±- 3 PLC ±- 4 PLC ±- ANGLES ±1°	NAME CONNECTOR HOUSING ASS'Y, TOP ENTRY SERIES EMV, SIZE 1, METRIC	SIZE A3 CAGE CODE 00779 DRAWING NO C=1106402
MATERIAL -	FINISH -	PRODUCT SPEC - APPLICATION SPEC - WEIGHT -	RESTRICTED TO - SCALE 1:1 SHEET 1 OF 1 REV A9