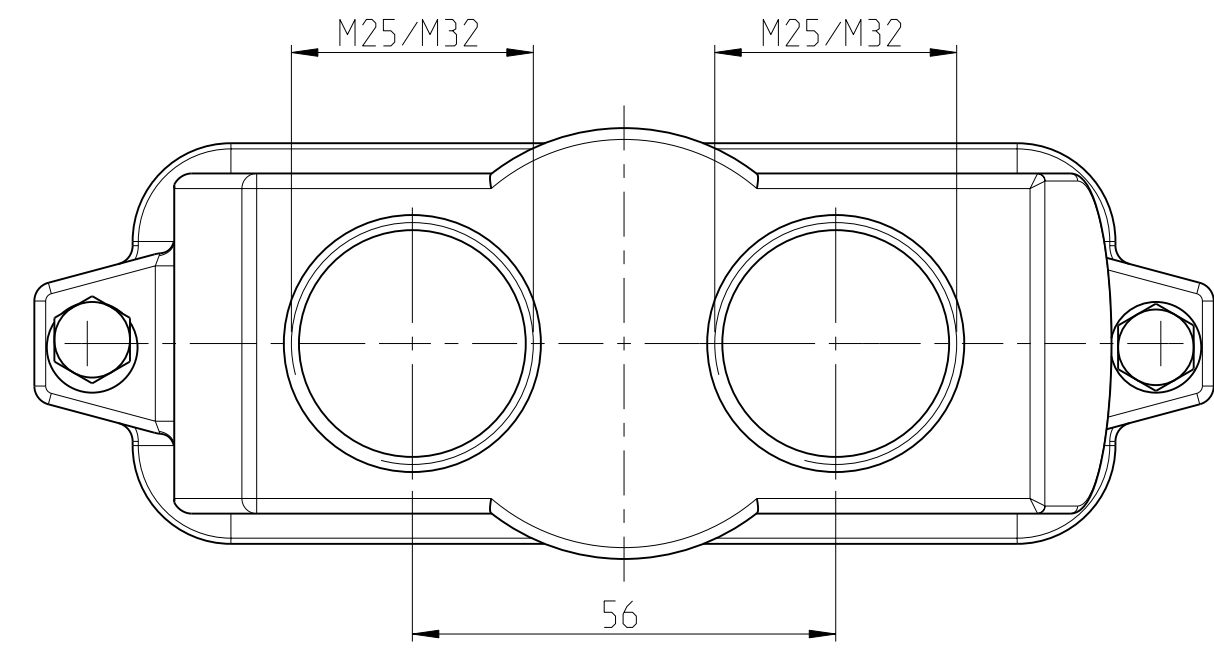
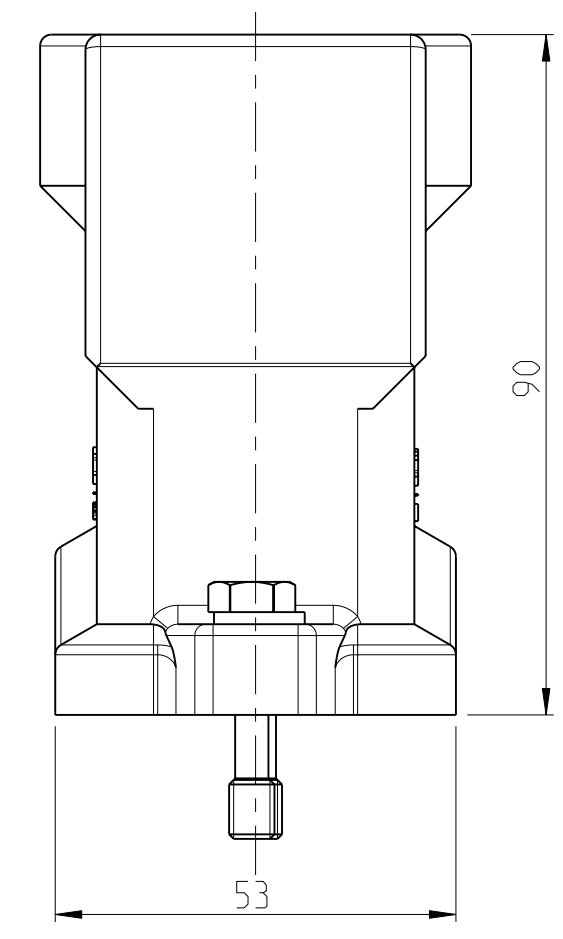
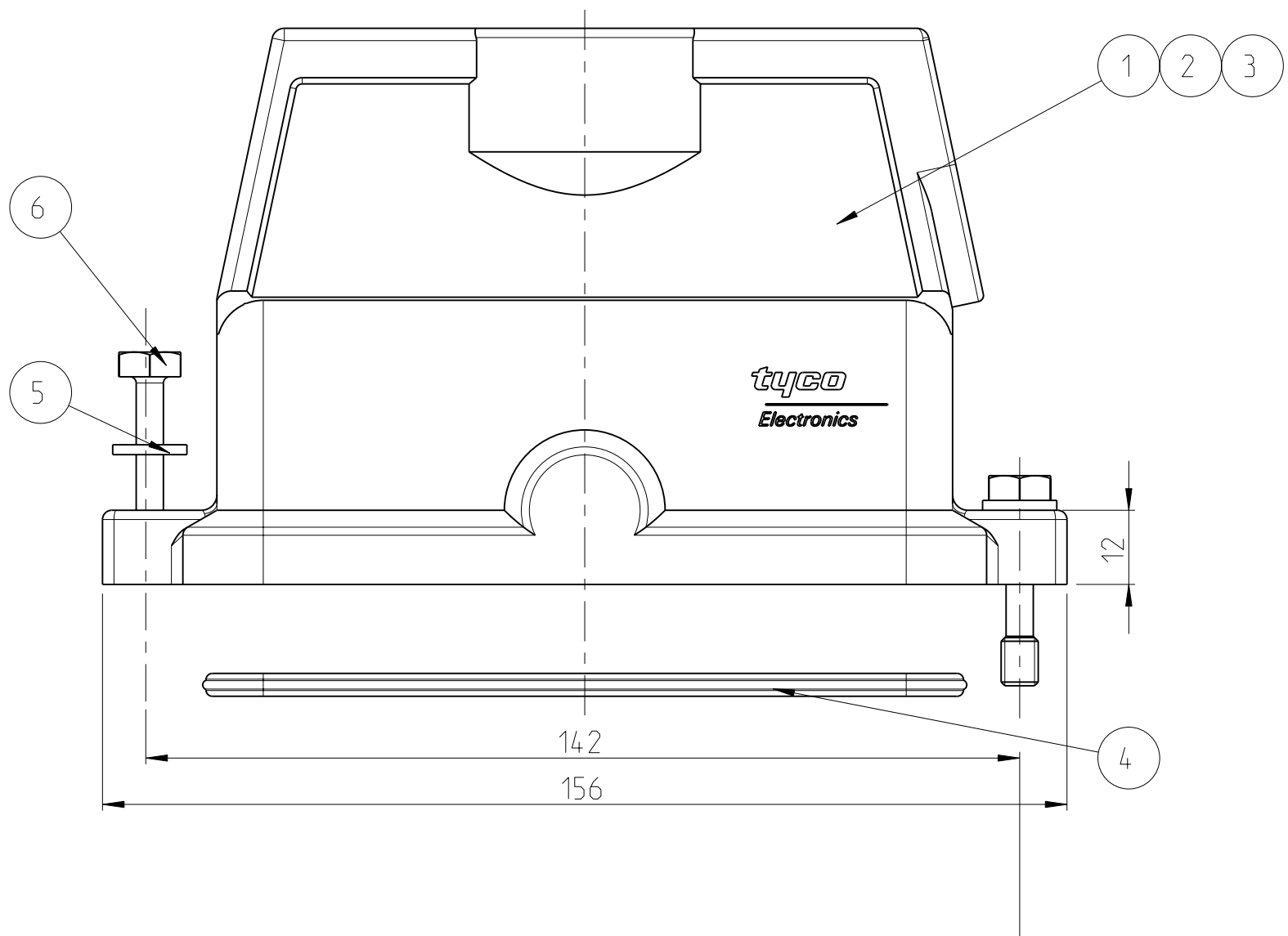


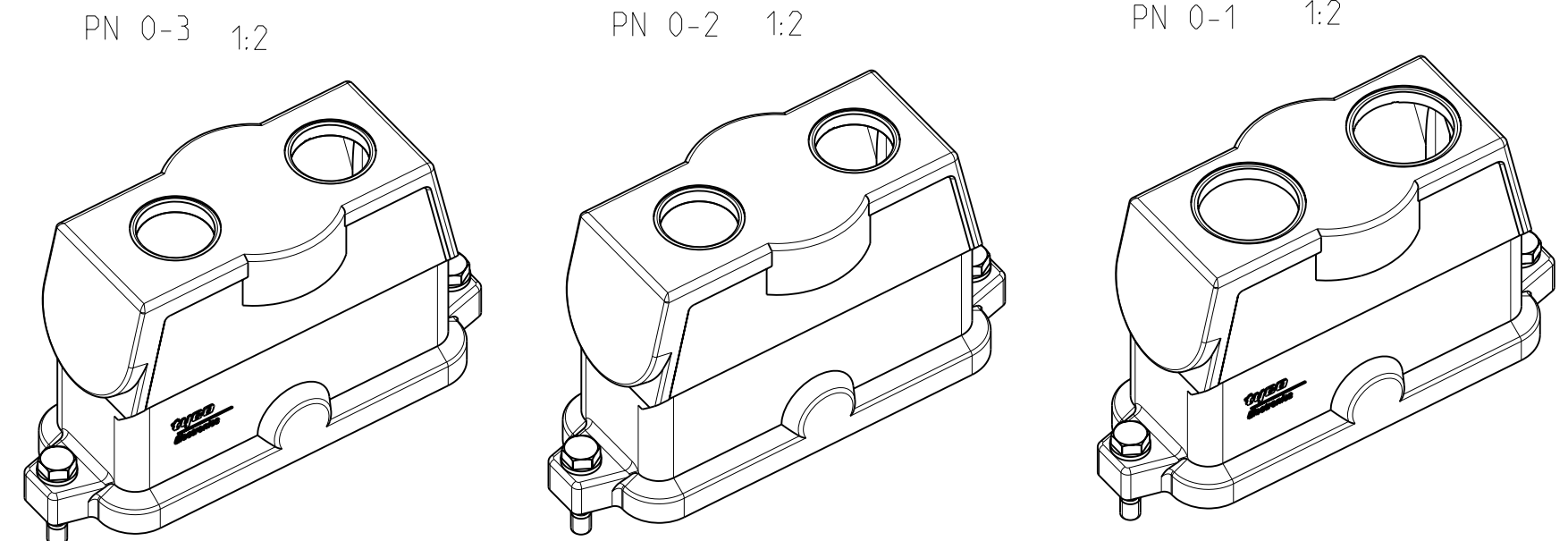
THIS DRAWING IS UNPUBLISHED. RELEASED FOR PUBLICATION 2009  
 © COPYRIGHT 2009 BY TYCO ELECTRONICS CORPORATION. ALL INTERNATIONAL RIGHTS RESERVED.

LOC		DIST		REVISIONS			
P	LTR	DESCRIPTION	DATE	DWN	APVD		
A1	-	A5	ECR-10-005196	11FEB2010	VG	BR	



NOTES

- 1 SUITABLE HOUSINGS:  
CUSTOMER DRAWING: 1102665, 1102626, 1102628, 1108533, 1102624, 1102625, 1106472
- 2 STANDARDS:  
DIN EN 61984, DIN EN 60664-1
- 3 TOOL:  
HEXAGONAL DRIVE SIZE 10
- 4 VARNISH ON INSIDE AREA NOT NECESSARY
- 5 PACKAGING: 5 PIECES IN A CARTON BOX
- SEE TE QUALITYMANAGEMENT PROCEDURE EMEA 1012



0-1102792-3	HIP-K.24/64.STO.2.M25.G
0-1102792-2	HIP-K.24/64.STO.2.M25.G
0-1102792-1	HIP-K.24/64.STO.2.M32.G
PART NO.	ORDERING TEXT

QTY	PN/QTY	DESCRIPTION	MATERIAL	COLOR/SURFACE	NOTE	ITEM	
2	2	2	SCREW, HEXAGONAL BOLT	STAINL. STEEL	BLANK	M6x30, DIN 7964, RED. SHUNK	6
2	2	2	WASHER, PLAIN	STAINL. STEEL	BLANK	B6, EN ISO 7089, 200 HV	5
1	1	1	PROFILE SEAL	NEOPRENE	BLACK	SIZE 8	4
1	-	-	CONNECTOR HOUSING	ALU	BLACK	SIZE 8, THREAD M25	3
-	1	-	CONNECTOR HOUSING	ALU	BLACK	SIZE 8, THREAD M25, WITHOUT LOGO	2
-	-	1	CONNECTOR HOUSING	ALU	BLACK	SIZE 8, THREAD M32	1

PARTS LIST (PER ONE UNIT)

THIS DRAWING IS A CONTROLLED DOCUMENT FOR TYCO ELECTRONICS CORPORATION IT IS SUBJECT TO CHANGE AND THE CONTROLLING ENGINEERING ORGANIZATION SHOULD BE CONTACTED FOR THE LATEST REVISION.		DWN V.GLUMM 11FEB2010 CHK G.WROBLEWSKI 11FEB2010 APVD H.BRAUN 11FEB2010	Tyco Electronics AMP GmbH 64625 Bensheim (Germany)
DIMENSIONS: mm 	TOLERANCES UNLESS OTHERWISE SPECIFIED: 0 PLC ± 1 PLC ± 2 PLC ± 3 PLC ± 4 PLC ± ANGLES ±° FINISH	PRODUCT SPEC APPLICATION SPEC WEIGHT CUSTOMER DRAWING	NAME CONNECTOR HOUSING ASSY SERIES HIP-K.24/64, SIZE 8, STO SIZE CAGE CODE DRAWING NO RESTRICTED TO A2 00779 C=1102792 SCALE 5:1 SHEET 1 OF 1 REV A5