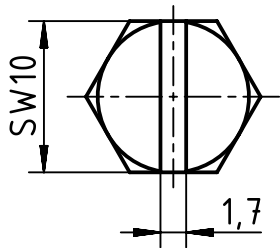
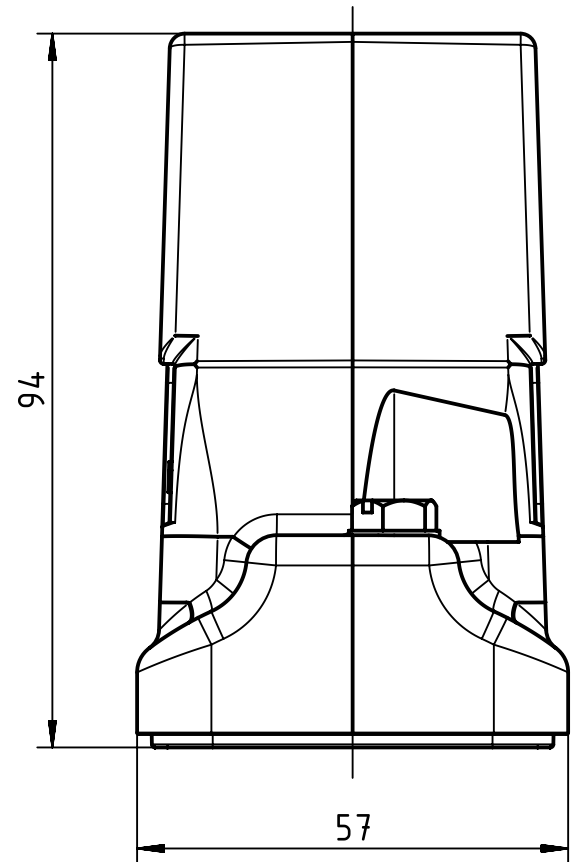
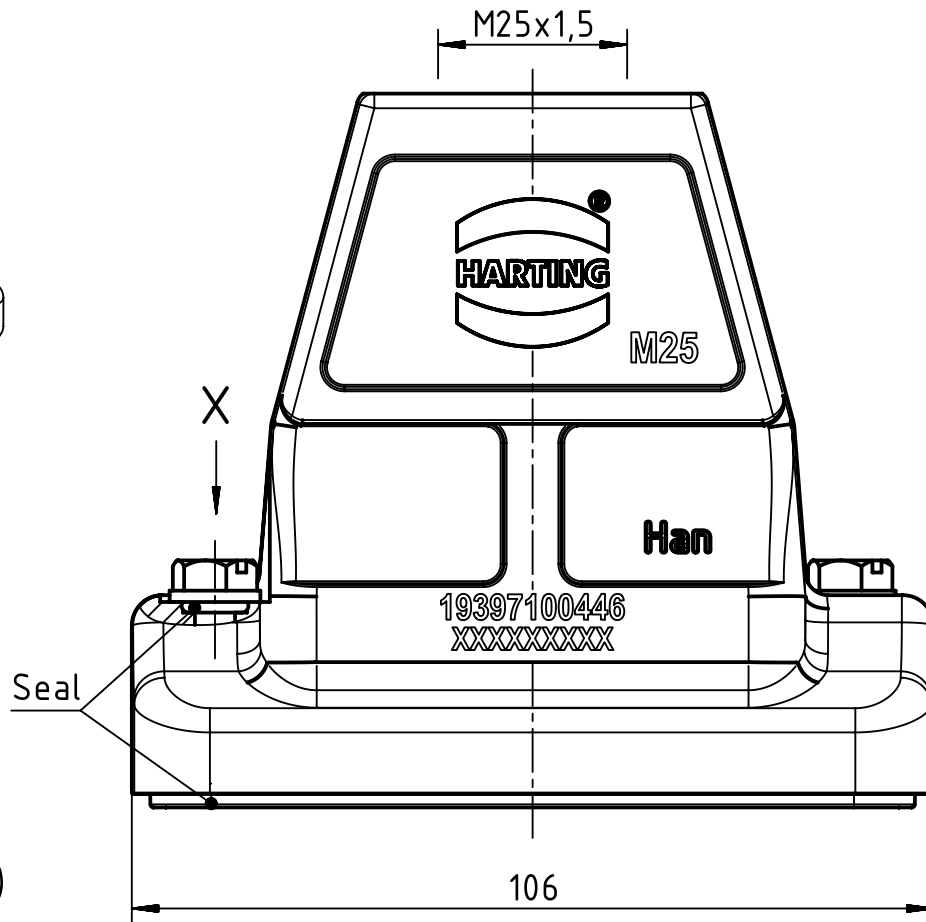
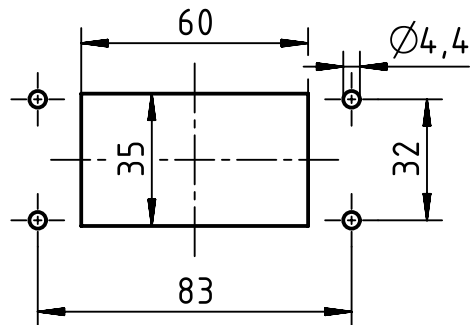



X (2:1)



Panel cut out (1:2)



	All Dimensions in mm Original Size DIN A4		Scale 1:1	Free size tol.		Ref.
	All rights reserved		Created by LONGL	Inspected by WENE	Standardisation SCHMIDTM	Sub.
Department EL PD - CN		Title Han 10HP Direct/M-HTE-M25		Date 2017-03-20	State Final Release	
HARTING (Zhuhai) Manufacturing Co., Ltd. 519085 Zhuhai, China		Type TB	Number 19 39 710 0446		Doc-Key / ECM-Nr. 100663880/UGD/003/C 500000116977	Rev. C
						Page 1/1