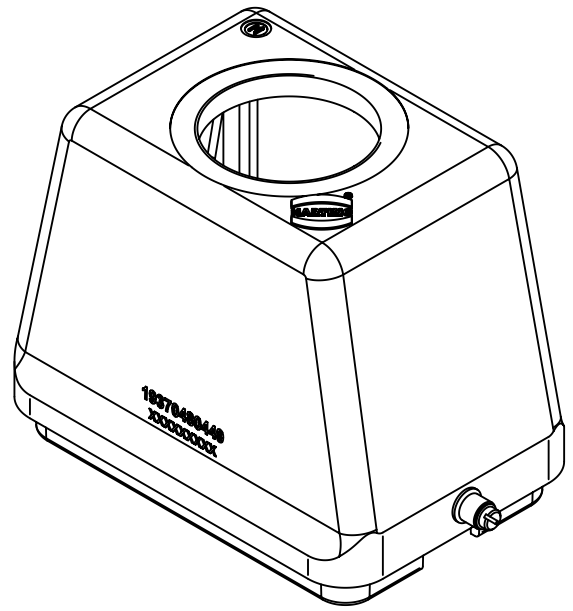
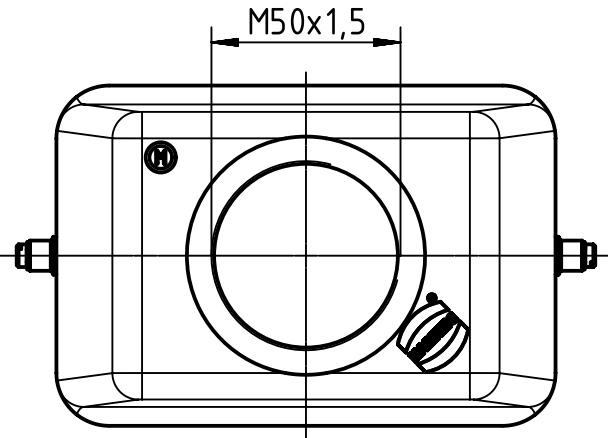
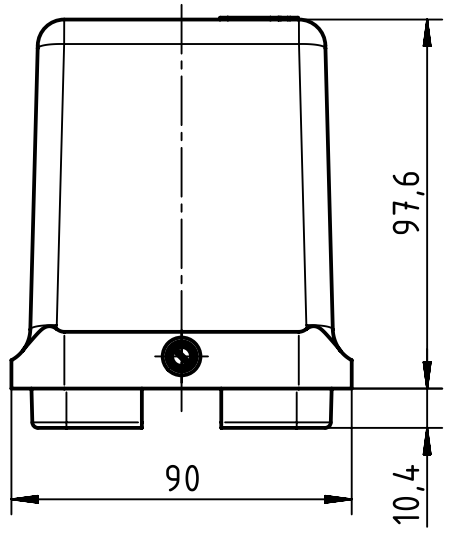
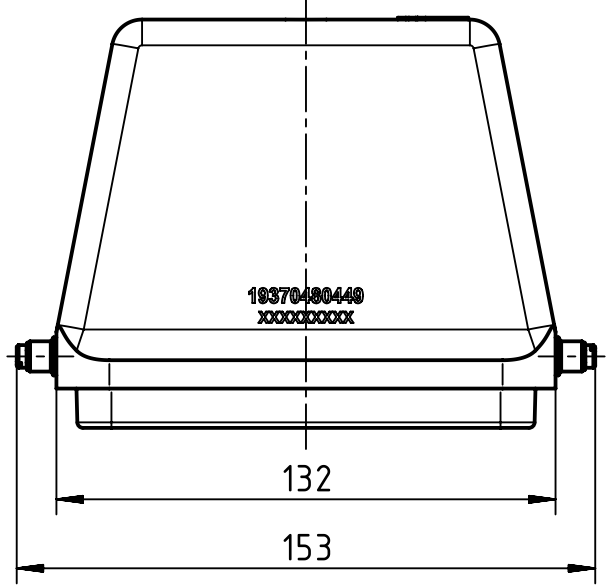



1 2 3 4 5 6

A
B
C
D



	All rights reserved Department EL PD - DE HARTING Electric GmbH & Co. KG D-32339 Espelkamp	All Dimensions in mm Original Size DIN A4	Scale 1:2	Free size tol.	Ref. Sub.
		Created by FINKEV	Inspected by BERGHORN	Standardisation TIEMANNA	Date 2015-06-19
Title Han 48M-gg-M50					Doc-Key / ECM-Nr. 100173598/UGD/004/A 500000089203
Type TB				Number 19 37 048 0449	Rev. A
					Page 1/1