

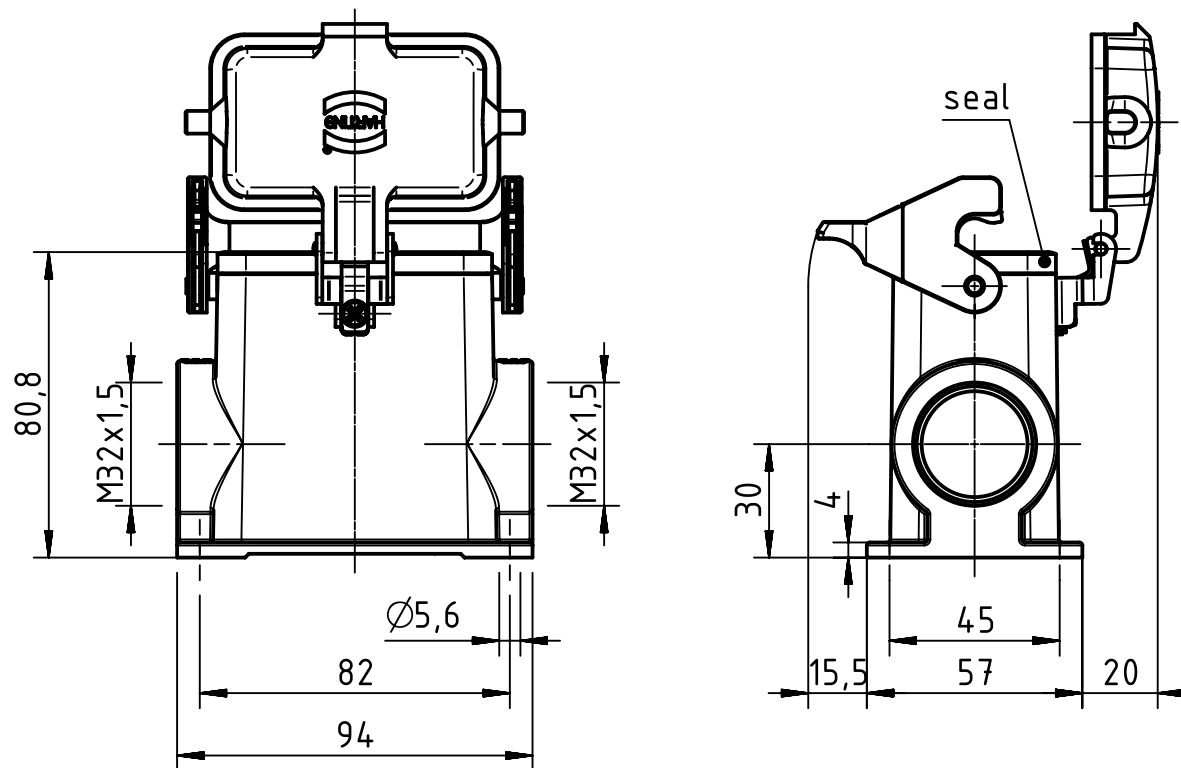
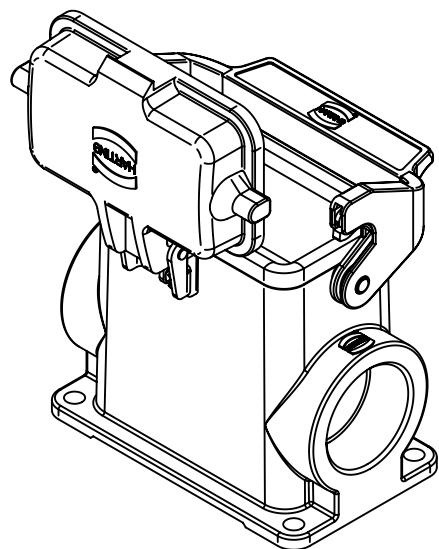
1 2 3 4 5 6

A

B

C

D



	All Dimensions in mm Original Size DIN A4		Scale 1:2	Free size tol.		Ref.
						Sub.
	All rights reserved		Created by SPRENB	Inspected by BERGHORN	Standardisation TIEMANNA	Date 2014-01-30
	Department EL PD - DE		Title Han B Base SM HC plastic cover 2 x M32			State Final Release
HARTING Electric GmbH & Co. KG D-32339 Espelkamp			Type TB	Number 19 30 010 0297		Doc-Key / ECM-Nr. 100209290/UGD/004/A 500000071121
					Rev. A	Page 1/1