

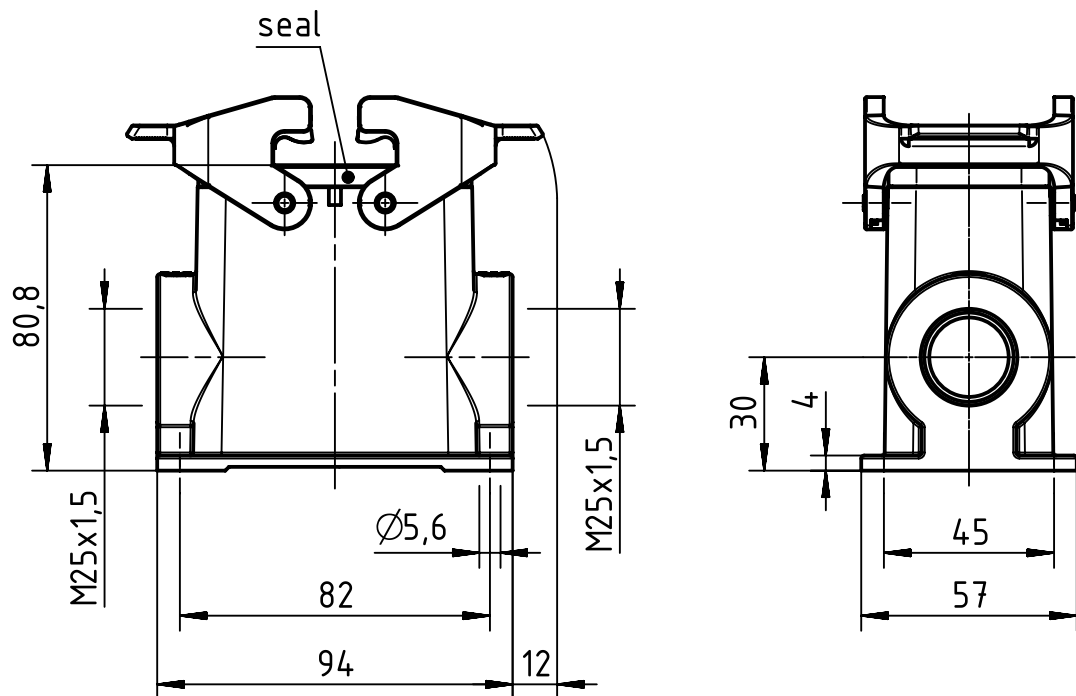
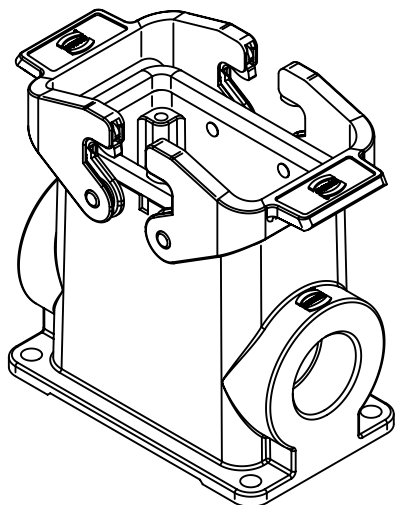
1 2 3 4 5 6

A

B

C

D



	All Dimensions in mm Original Size DIN A4	Scale 1:2		Free size tol.		Ref.	
						Sub. TB 19 30 010 0271 v. 19.02.09	
	All rights reserved Department EL PD - DE	Created by RULLKOETTER	Inspected by SCHNIEDER	Standardisation RUETERA	Date 2014-06-06	State Final Release	
		Title Han 10B-HSM-DL-2xM25					Doc-Key / ECM-Nr. 100209276/UGD/006/B 500000075782
HARTING Electric GmbH & Co. KG D-32339 Espelkamp		Type TB	Number 19 30 010 0271			Rev. B	Page 1/1