


HC-D 7-KML-61/O1M20

Order No.: 1604883

The illustration shows version HC-D 7-KML-51/M1PG11/ALU

<http://eshop.phoenixcontact.de/phoenix/treeViewClick.do?UID=1604883>

HEAVYCON coupling housing D7, with single locking latch, height 61 mm, with support 1xM20, zinc

Commercial data	
GTIN (EAN)	 4 017918 881597
sales group	D011
Pack	10 pcs.
Customs tariff	85389099
Catalog page information	Page 509 (PC-2009)

Product notesWEEE/RoHS-compliant since:
03/01/2006

<http://www.download.phoenixcontact.com>
Please note that the data given here has been taken from the online catalog. For comprehensive information and data, please refer to the user documentation. The General Terms and Conditions of Use apply to Internet downloads.

Technical data

General data	
Note	For contact inserts HC-D7, D8, A3, A4, B5, HS2-D7
Design	D7
Height	61 mm
Width	26.5 mm
Length	26.5 mm

Housing type	Coupling housings
Locking type	With single locking latch
Type of the screw connection	1x M20
Degree of protection	IP54 / IP65 with sealing screw
Ambient temperature (operation)	-40 °C ... 125 °C
Housing material	Zinc die-cast
Housing surface material	Powder-coated, gray
Material lock	Steel, galvanized

Certificates / Approvals



Certification GOST

Accessories

Item	Designation	Description
------	-------------	-------------

Assembly

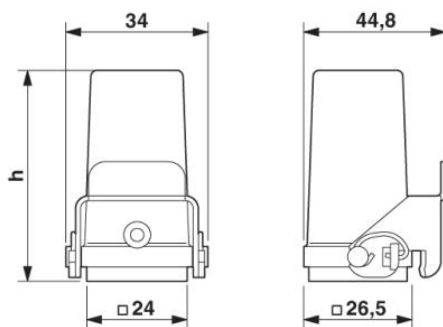
1686229	HC-D 7-DS-IP65	Sealing screw, for IP65 protection
---------	----------------	------------------------------------

General

1647967	HC-M-DE-M20	Pressure screw set, for housing with M20 thread, consisting of notched seal, 2 washers and pressure screw
---------	-------------	---

Diagrams/Drawings

Dimensioned drawing



Address

PHOENIX CONTACT Inc., USA
586 Fulling Mill Road
Middletown, PA 17057, USA
Phone (800) 888-7388
Fax (717) 944-1625
<http://www.phoenixcon.com>



© 2010 Phoenix Contact
Technical modifications reserved;