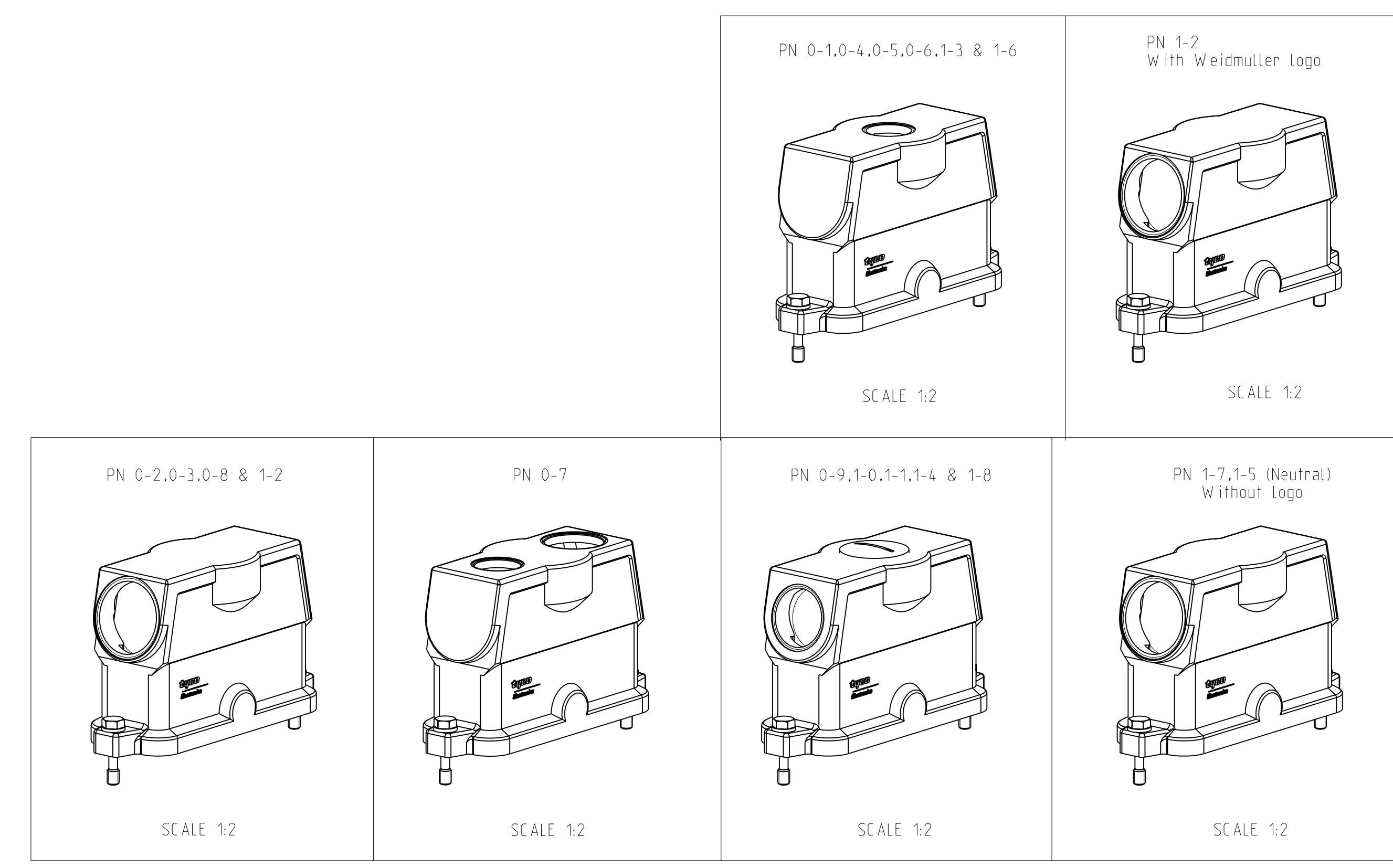
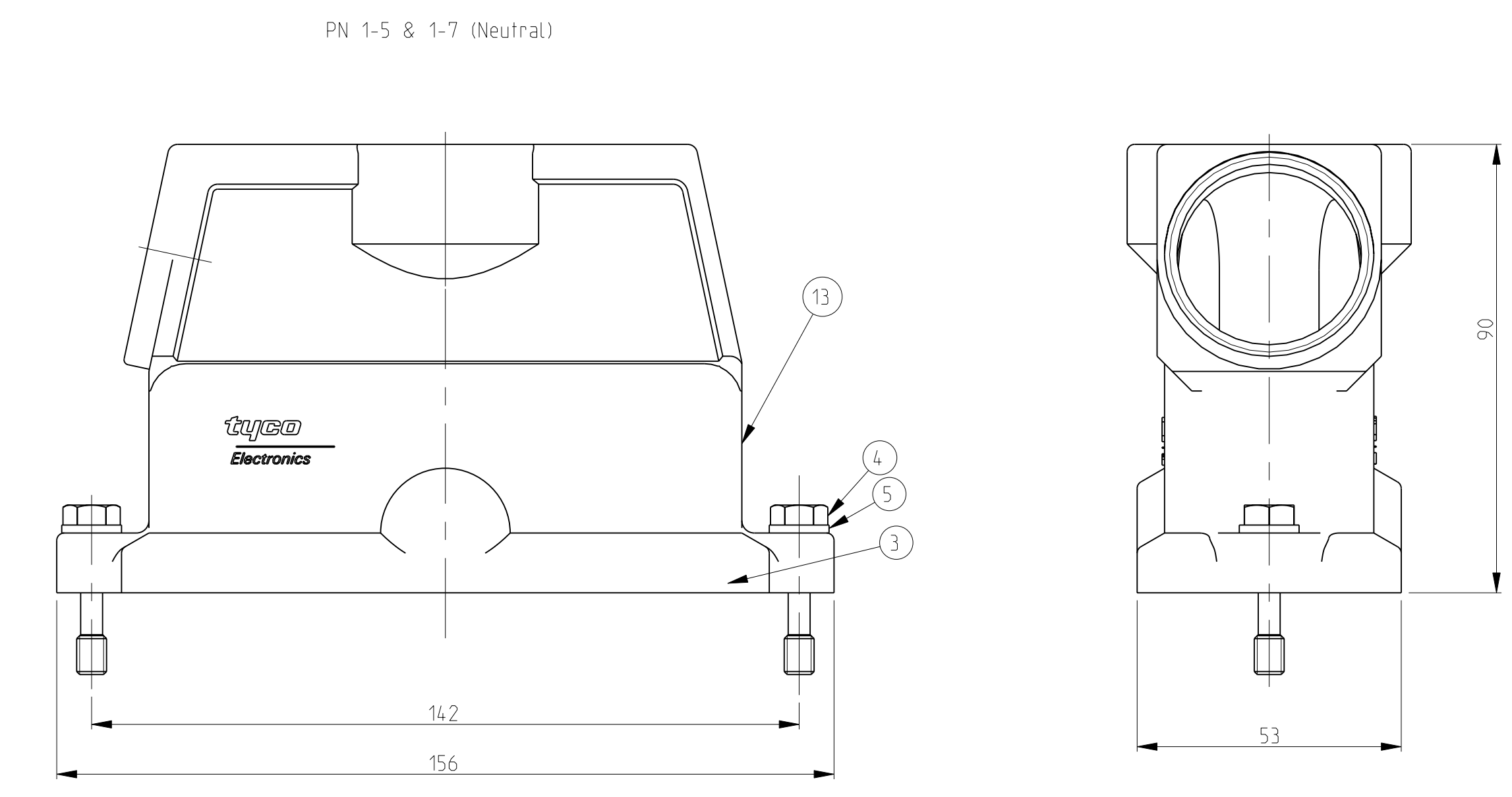
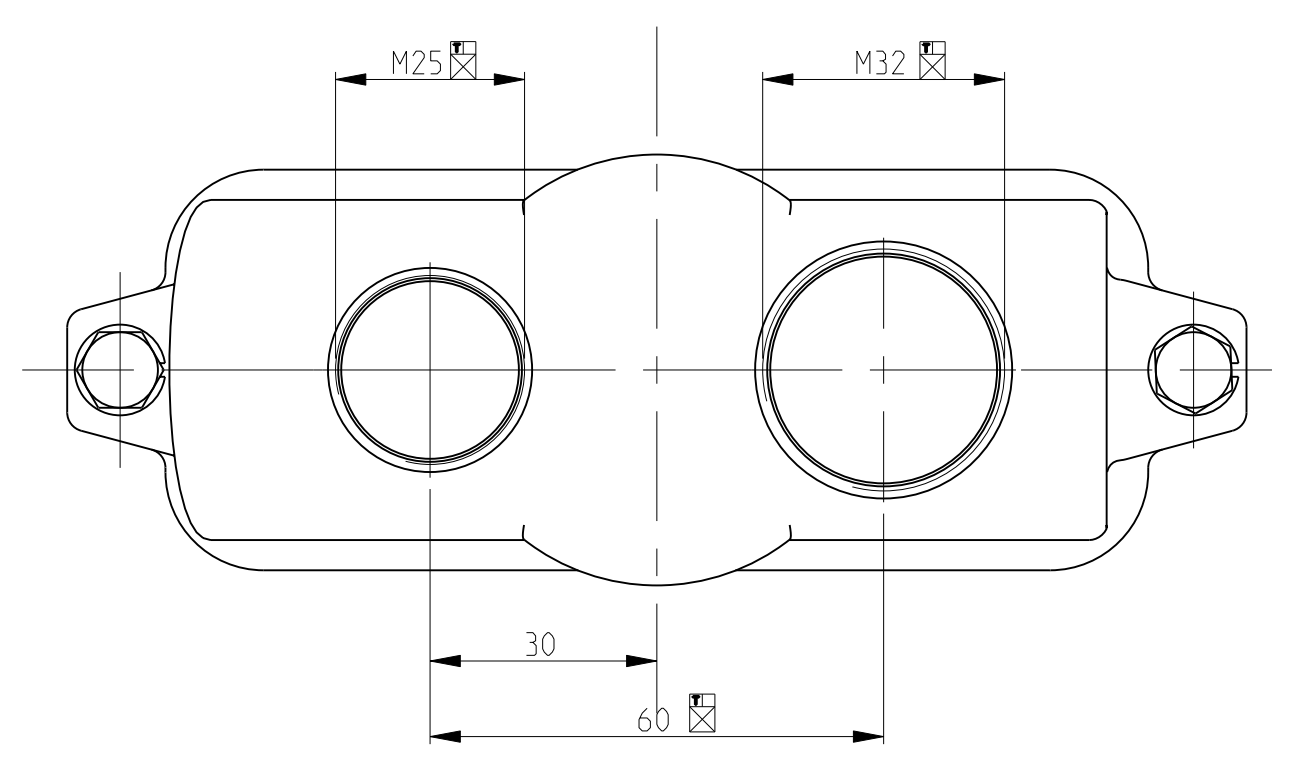
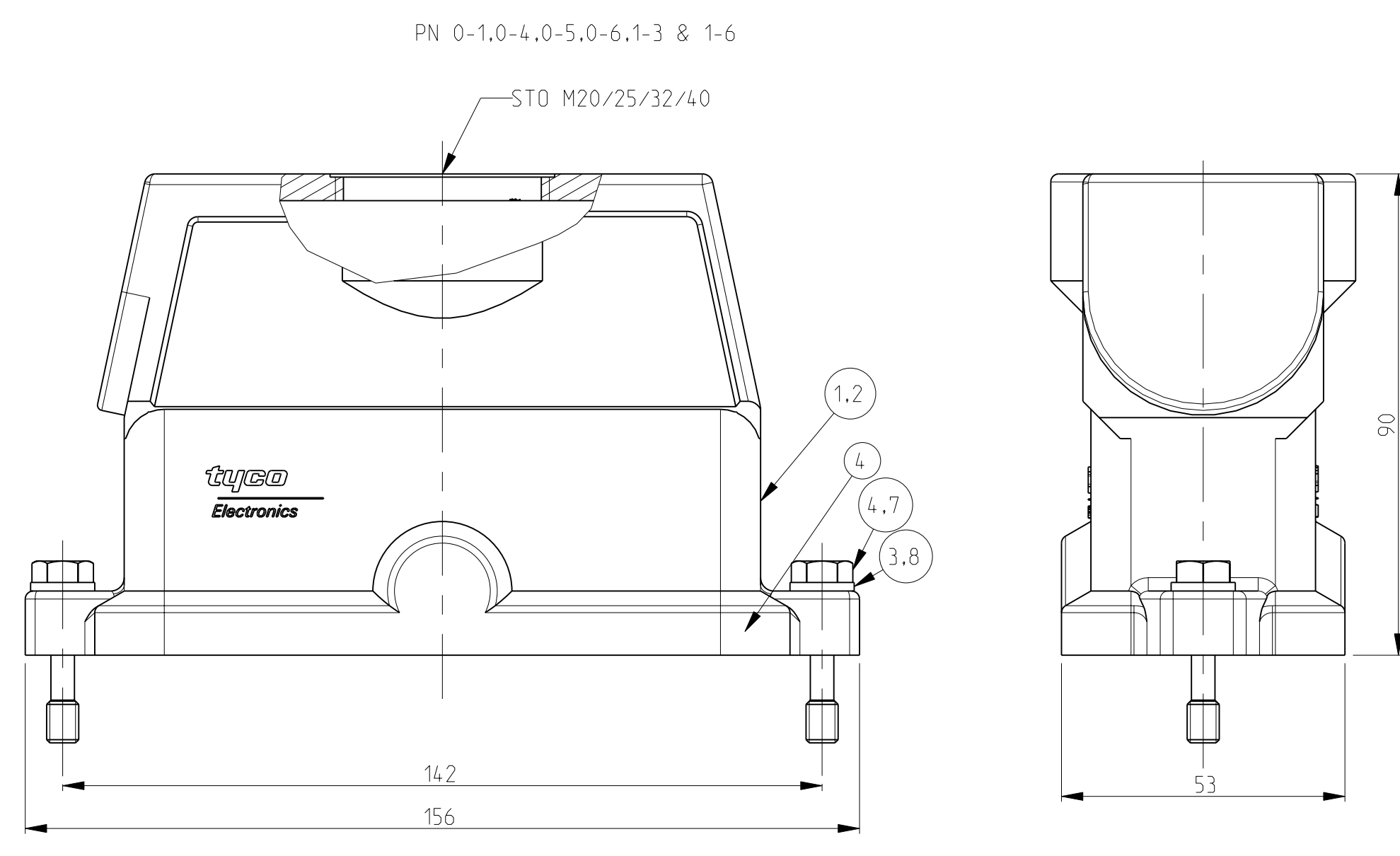
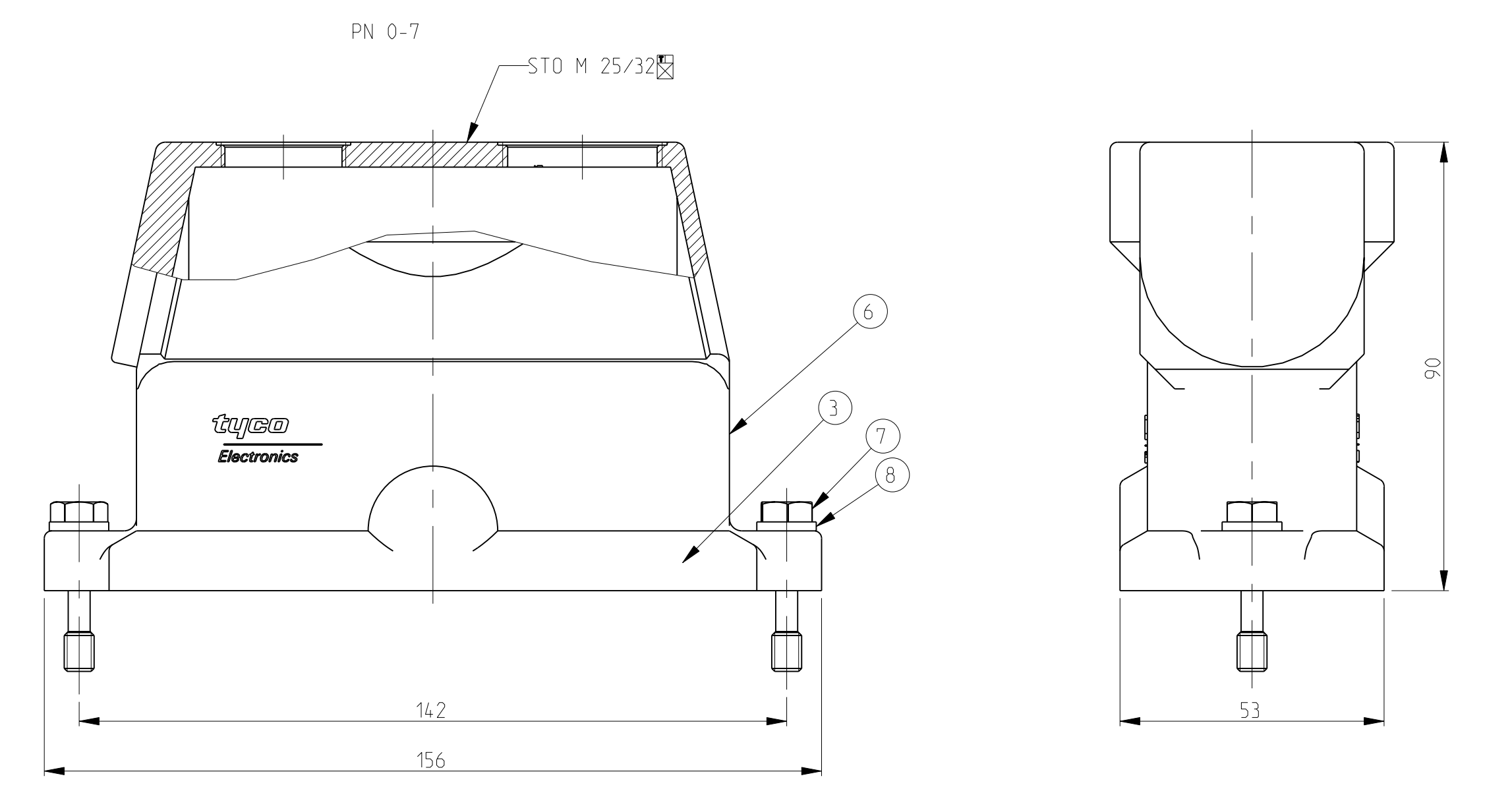
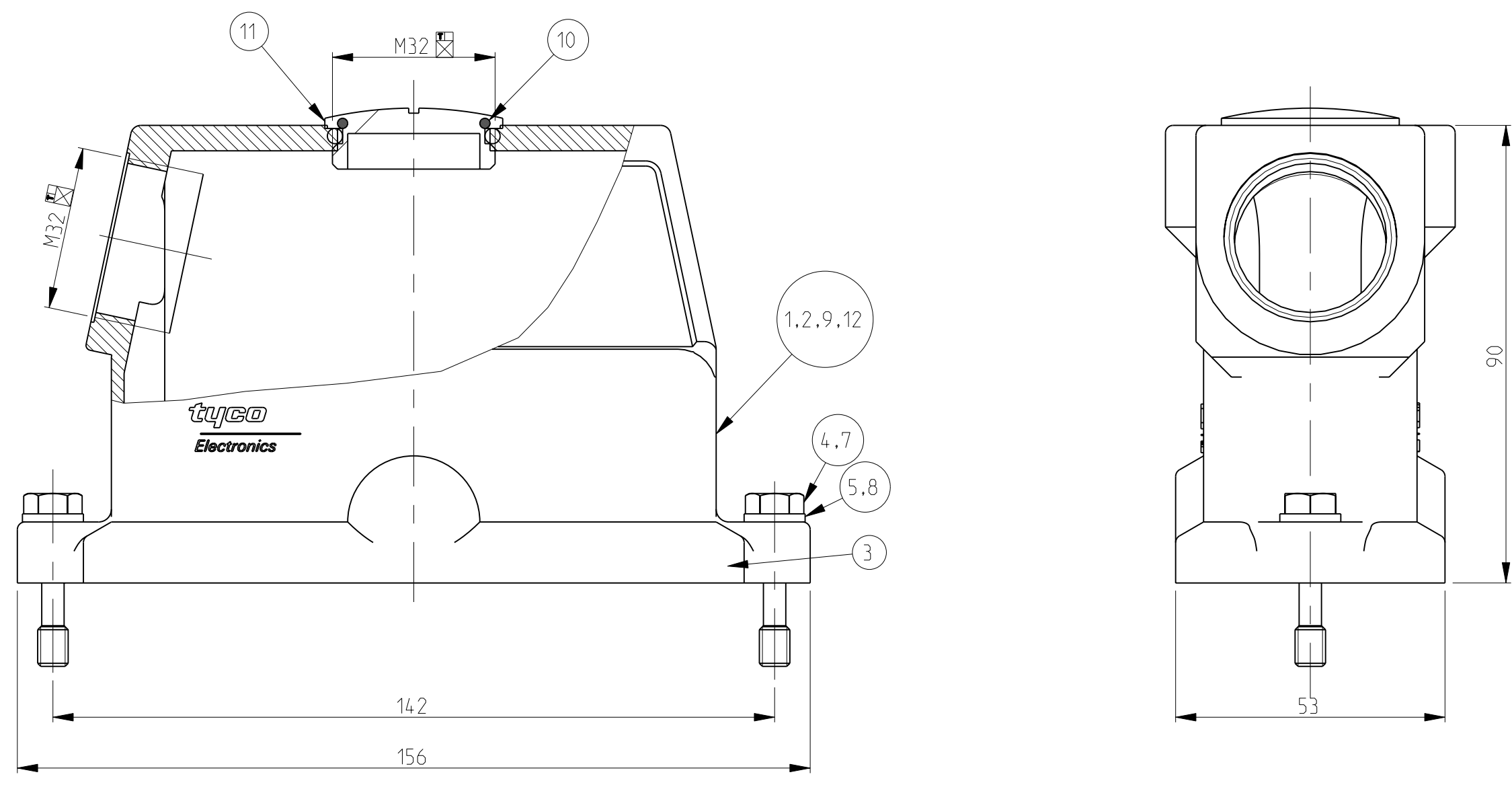
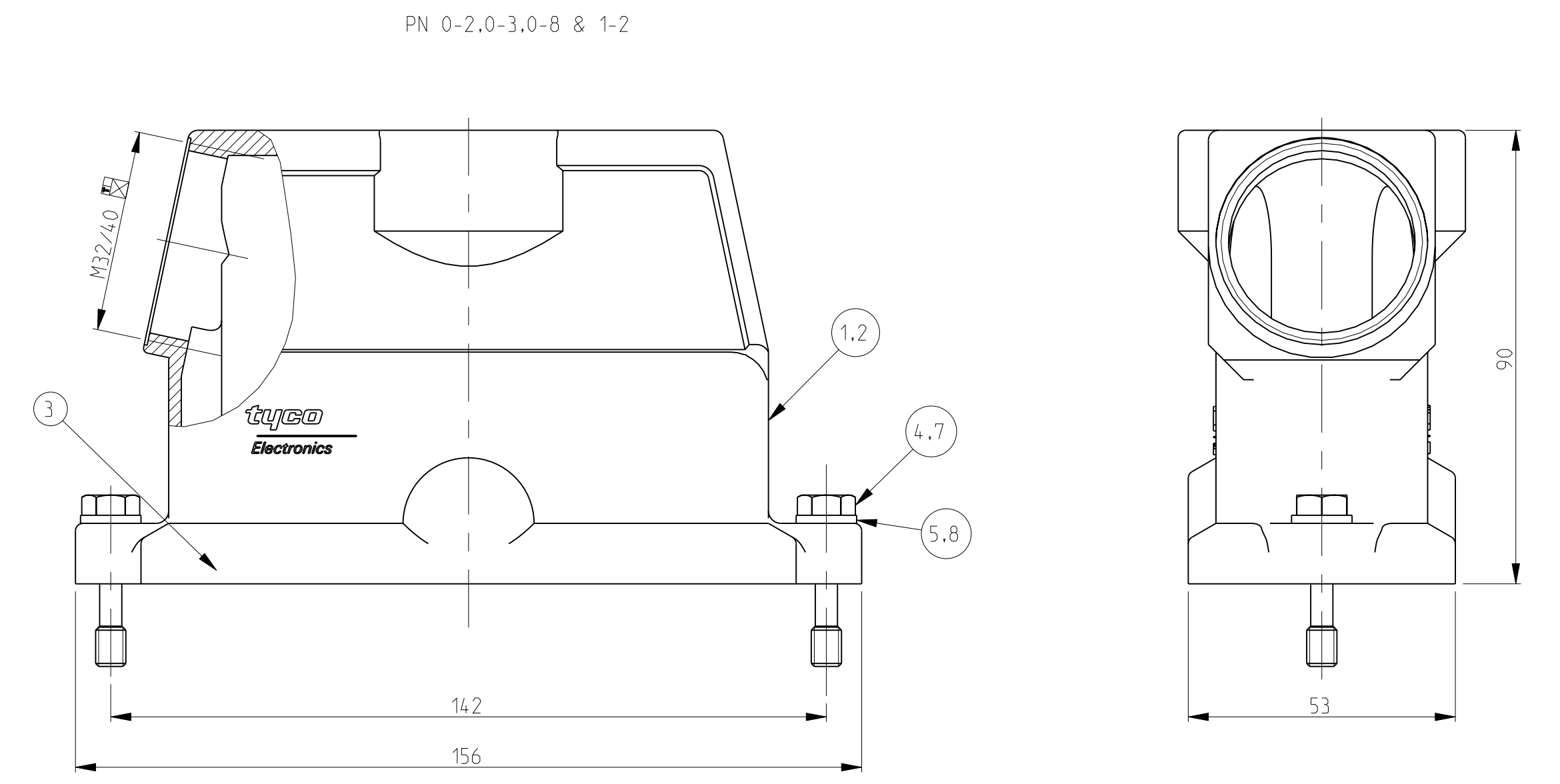


LOC	DIST	REV	DESCRIPTION	DATE	BY	APPD
A1	-	1	Released as per ECR-08-021956	29-Aug-2008	SP	TS

- NOTES.
- △ Material:Housing:Aluminium Diecasting Alloy
Seals:Neoprene conductivity
 - △ Surface:Varnish grey
_ChromITAL TCP passivation -Varnish Black
 - △ Packaging
Quantity 5 Pieces in a box
 - △ Special Packaging
Quantity 25 Pieces in a box
 - 5 Varnish on the inside not necessarily



QTY	DESCRIPTION	MATERIAL	SURFACE	COLOR	ITEM NO	REMARKS																	
1	Hood size 8 finished product	Aluminium	SUR TEC 650	Black RAL9005	13																		
1	Hood size 8 finished product	Aluminium		Without varnish	12																		
1	Blanking Piece	Brass	Nickel plated	Blue	11																		
1	O-Ring	Neoprene		Black	10																		
1	Hood size 8 finished product	Aluminium		White Aluminium	9																		
2	Washer, Plain	Stainless steel	Blank		8	B6.4																	
2	Screw, Hexagon Bolt	Stainless steel	Blank		7	M6x30																	
2	Hood size 8 finished product	Aluminium	SUR TEC 650	Black RAL9005	6																		
2	Washer, Plain	Stainless steel	Blank		5	B6.4																	
2	Screw, Hexagon Bolt	Stainless steel	Blank		4	M6x30																	
1	Seal	Neoprene		Black	3	Conductivity																	
1	Hood size 8 finished product	Aluminium	SUR TEC 650	Black RAL9005	2																		
1	Hood size 8 finished product	Aluminium		Grey RAL7001	1																		
1-8	1-7	1-6	1-5	1-4	1-3	1-2	1-1	1-0	0-9	0-8	0-7	0-6	0-5	0-4	0-3	0-2	0-1	DESCRIPTION	MATERIAL	SURFACE	COLOR	ITEM NO	REMARKS
																			EMV-24/64-STO-1.M40.G	△			
																			EMV-24/64-STO-1.M40.G	△			
																			EMV-K-24/64-STO-1.M40.G	△			
																			EMV-K-24/64-STO-1.M40.G	△			
																			EMV-24/64-STO-1.M20.G	△			
																			EMV-24/64-STO-1.M25.G	△			
																			EMV-K-24/64-STO-1.M32.G	△			
																			EMV-K-24/64-STO-1.M32.G	△			
																			EMV-24/64-STO-1.M32.G-STO-1.M32.G	△			
																			EMV-24/64-STO-1.M32.G-STO-1.M32.G	△			
																			EMV-K-24/64-STO-1.M40.G-WE	△			
																			EMV-K-24/64-STO-1.M25.G	△			
																			EMV-24/64-STO-1.M32.G-STO-1.M32.G	△			
																			EMV-K-24/64-STO-1.M32.G	△			
																			EMV-K-24/64-STO-1.M32.G	△			
																			EMV-K-24/64-STO-1.M40.G-Neutral	△			
																			EMV-24/64-STO-1.M32.G-STO-1.M32.G	△			

TYCO ELECTRONICS CORPORATION
Schneider Electric
EMV-24/64-STO-1.M40.G
EMV-24/64-STO-1.M40.G
EMV-K-24/64-STO-1.M40.G
EMV-K-24/64-STO-1.M40.G
EMV-24/64-STO-1.M20.G
EMV-24/64-STO-1.M25.G
EMV-K-24/64-STO-1.M32.G
EMV-K-24/64-STO-1.M32.G
EMV-24/64-STO-1.M32.G-STO-1.M32.G
EMV-24/64-STO-1.M32.G-STO-1.M32.G
EMV-K-24/64-STO-1.M40.G-WE
EMV-K-24/64-STO-1.M25.G
EMV-24/64-STO-1.M32.G-STO-1.M32.G
EMV-K-24/64-ST
EMV-K-24/64-STO-1.M32.G
EMV-K-24/64-STO-1.M40.G-Neutral
EMV-24/64-STO-1.M32.G-STO-1.M32.G

DATE: 01.08.2008
BY: Schneider
APPD: Schneider

TYCO ELECTRONICS
Tyco Electronics - AMP-EMV
0-53757 Saint Augustin, Germany

NAME: Hood
EMV-24/64-Sto/Sts with M-Thread

SCALE: 1:1
SHEET: 1 of 1
REV: A10