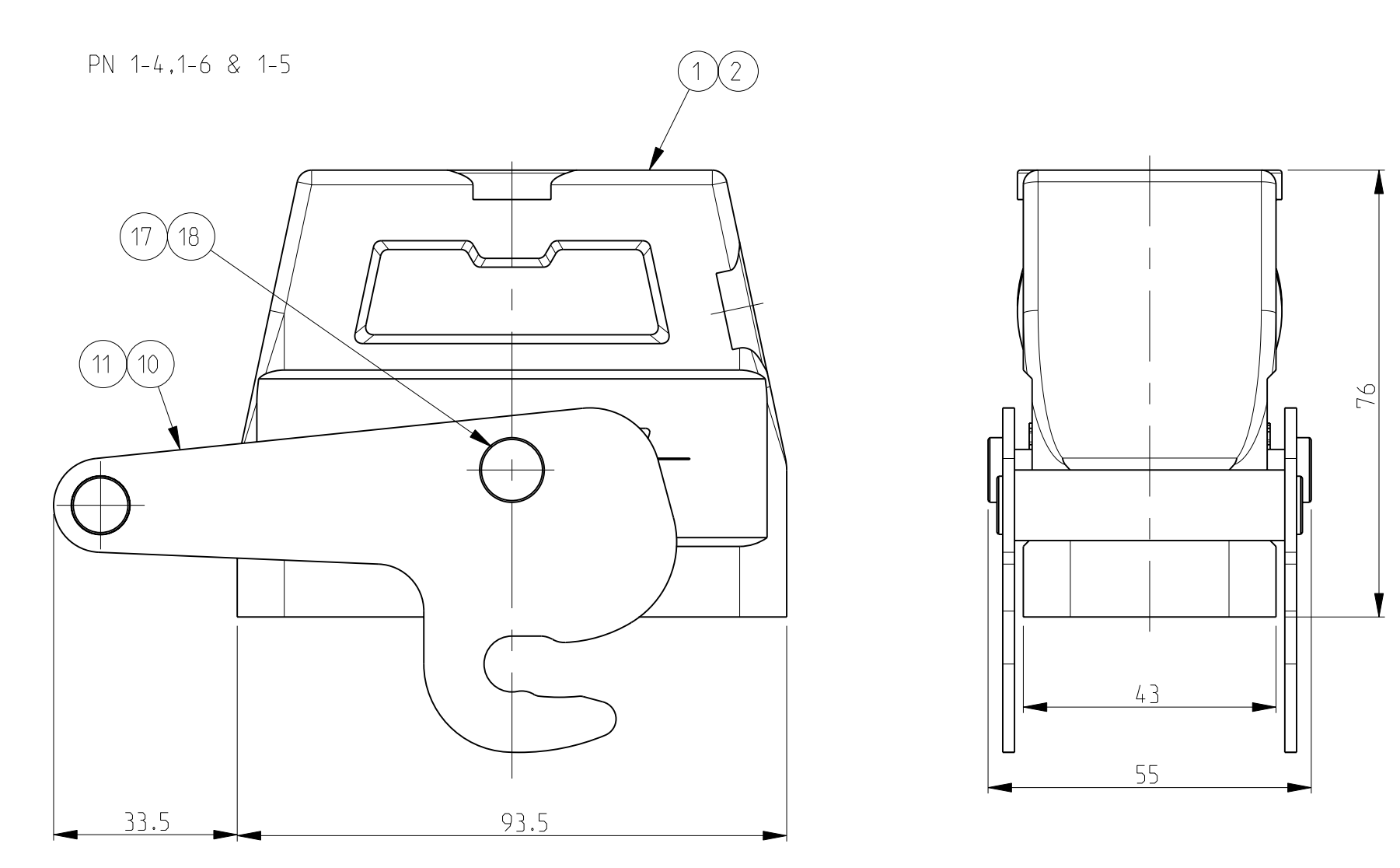
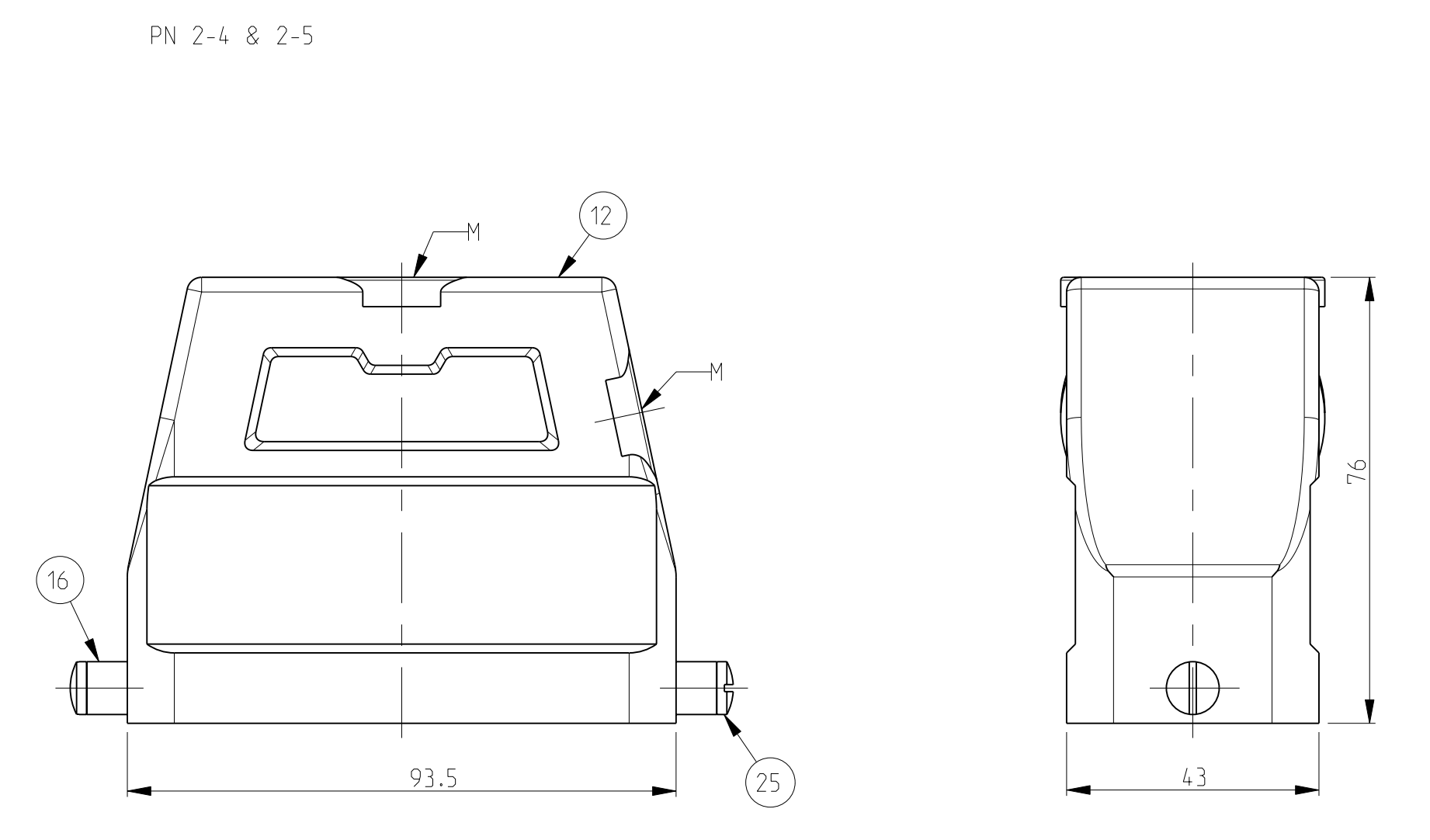
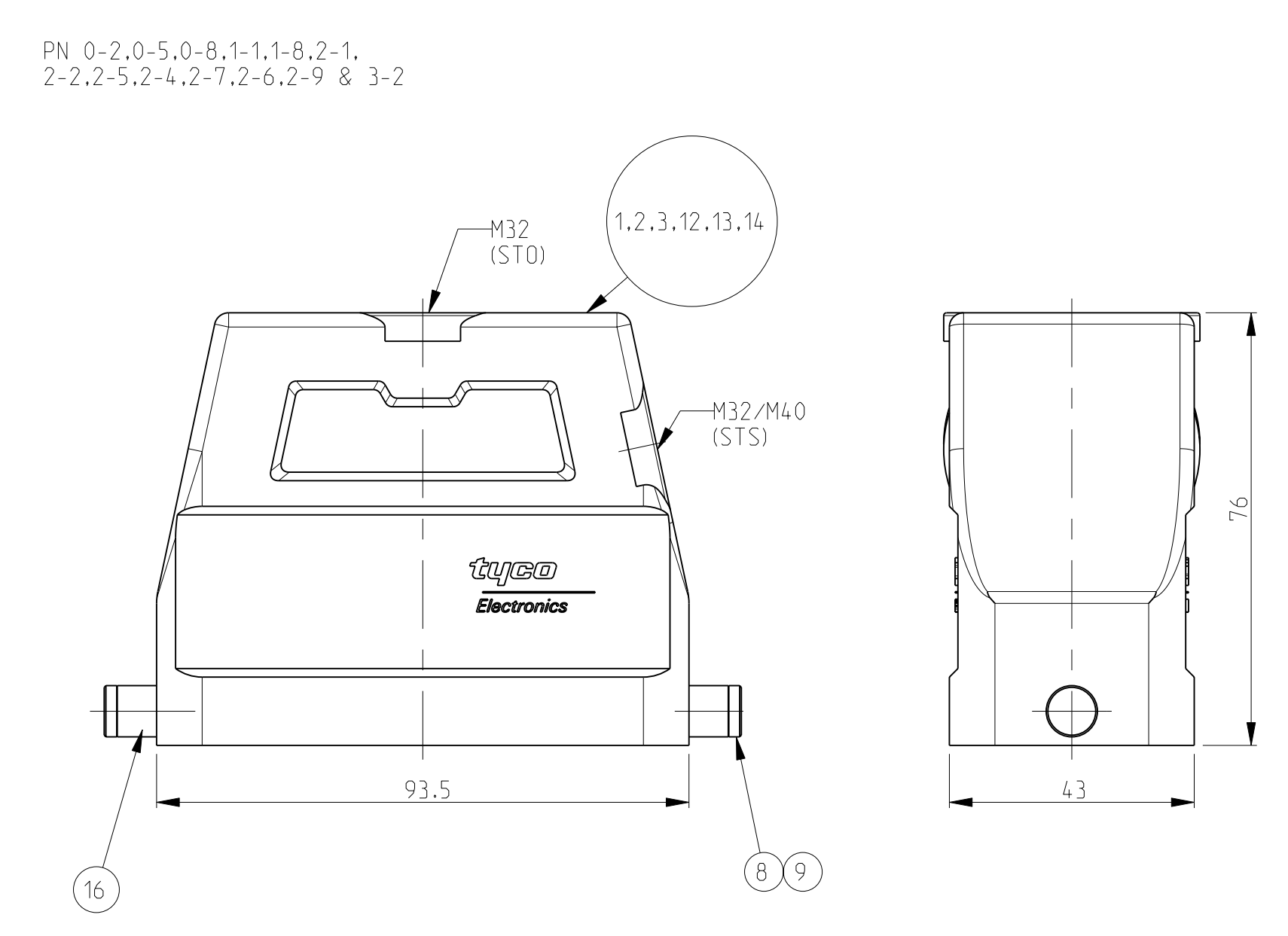
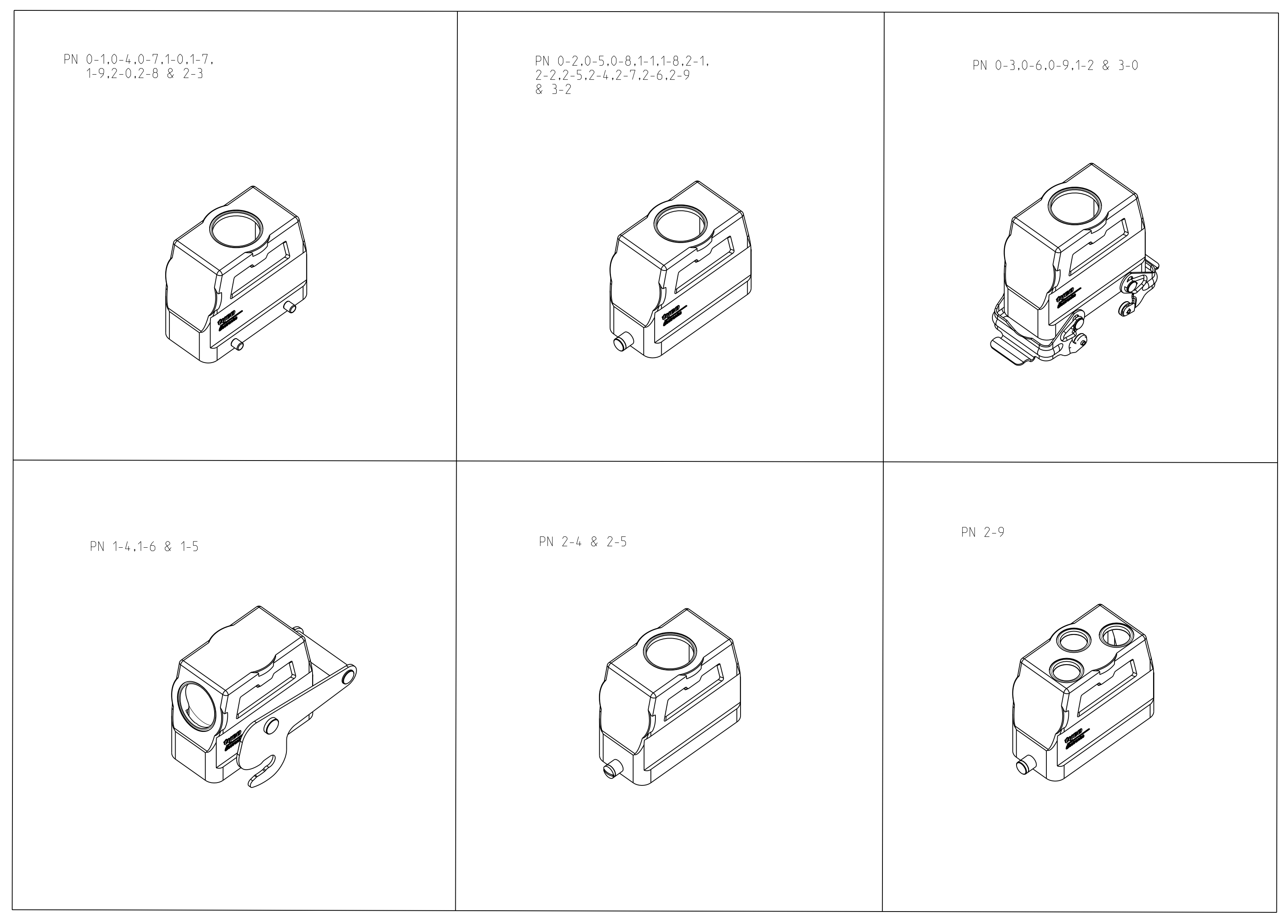
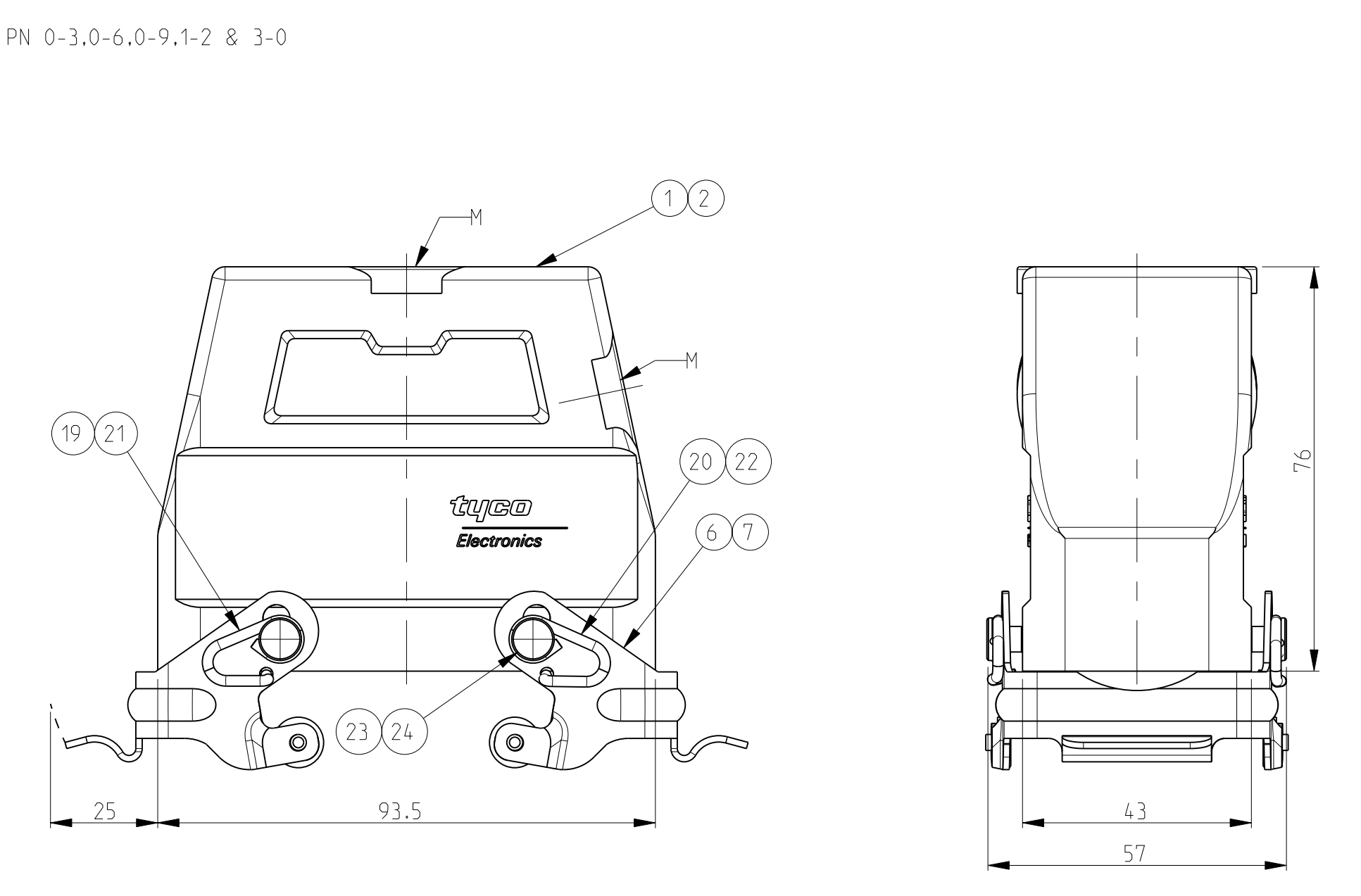
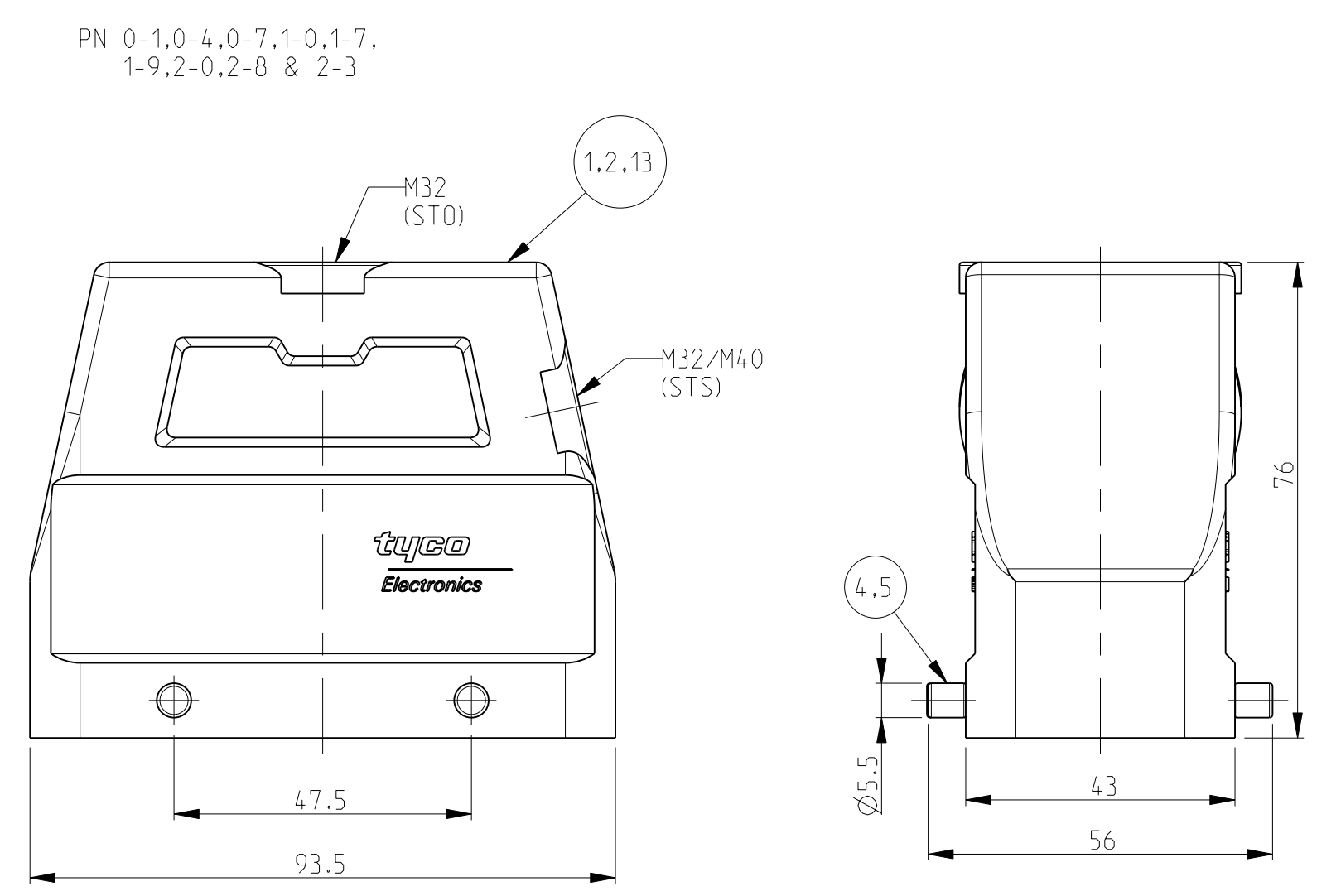
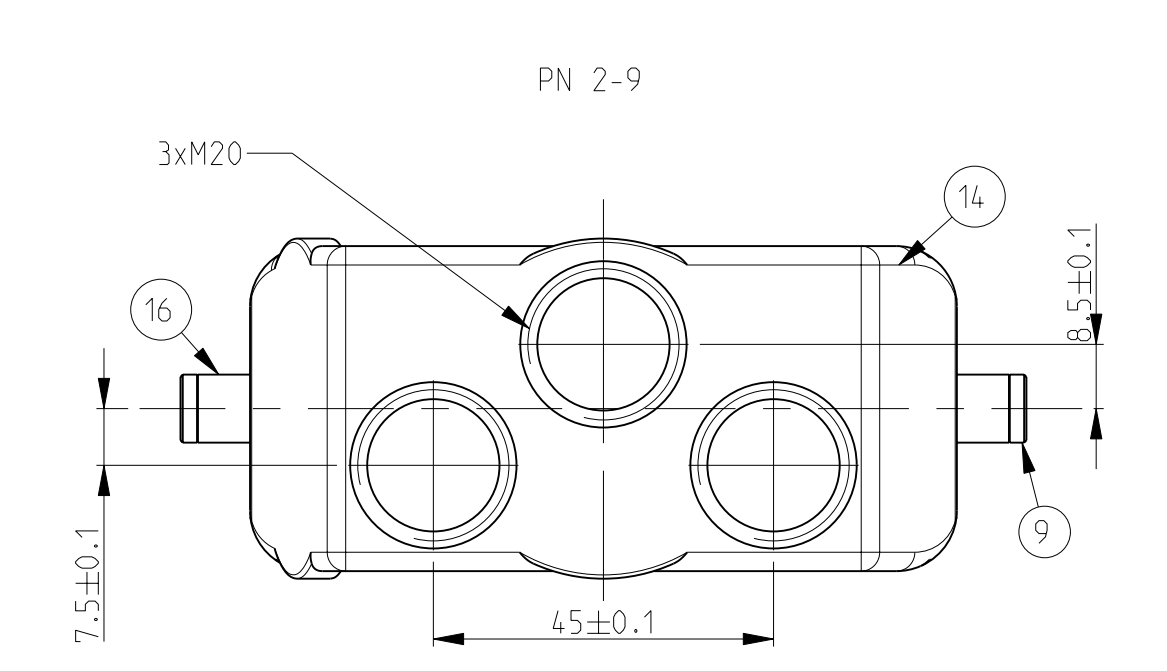
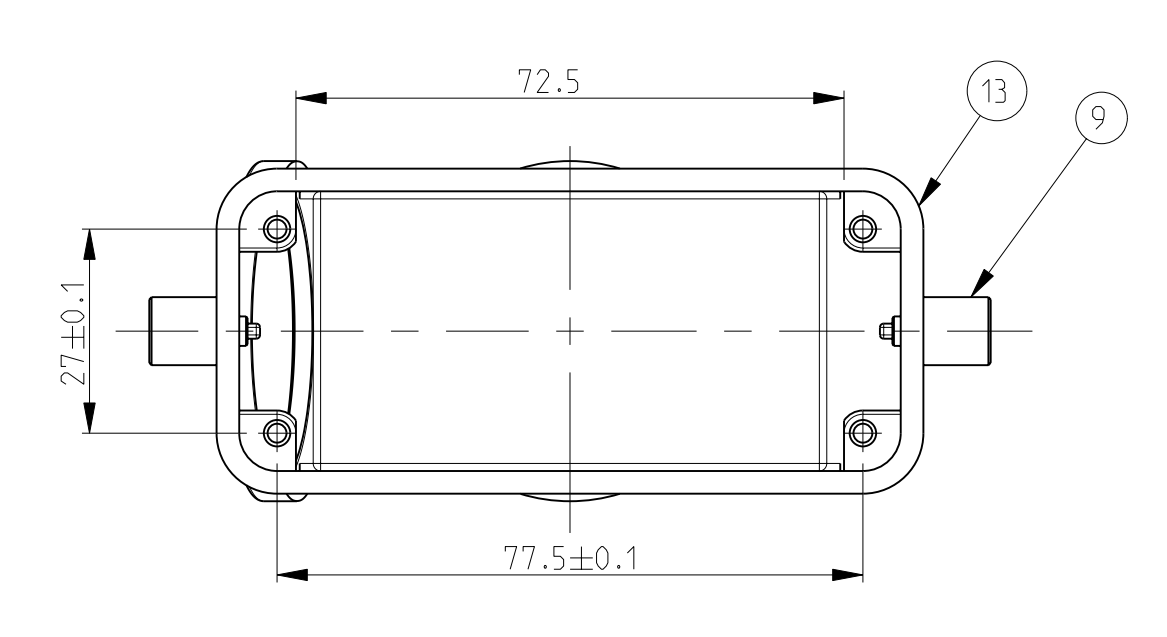


REVISONS		DATE	BY	APPD
P	L/R	DESCRIPTION		
A	16	ECR-10-01573	08.A0210	SR



Valid only for PN 2-7 and 2-8
 Landing at measure 72.5 (20mm Deep) milled off : bothsides



- NOTES
- ▲ MATERIAL-HOUSING ALUMINIUM DIECASTING ALLOY
 - ▲ SURFACE-POWDER VARNISH-GREY - VARNISH BLACK
 - 3 VARNISH ON THE INSIDE NOT NECESSARY
 - ▲ WITH OUT TE LOGO
 - ▲ PACKAGING QUANTITY 5 PIECES IN A BOX

QTY	DESCRIPTION	MATERIAL	SURFACE	COLOR	ITEM NO	NOTES
1	HD HOOD	ALUMINIUM			44	WITHOUT LOGO&DRILLING
1	HD HOOD	ALUMINIUM			43	WITHOUT LOGO&DRILLING
1	HD HOOD	ALUMINIUM		GREY	42	
1	HD HOOD	ALUMINIUM	UNPAINTED		41	SINGLE PART
1	HD HOOD	ALUMINIUM		GREY	40	3xM20
1	LB-CLIP BOLT	STEEL	ZINC PLATED	BLUE	39	M5
1	HD-K HOOD	ALUMINIUM	ALUMINIUM OXIDE	BLACK	38	
1	HD-K HOOD	ALUMINIUM	ALUMINIUM OXIDE	BLACK	37	
1	HD HOOD	ALUMINIUM		GREY	36	WITH OUT TE-LOGO
1	HD HOOD	ALUMINIUM		GREY	35	WITH OUT TE-LOGO
1	HD HOOD	ALUMINIUM		GREY	34	WITH OUT TE-LOGO
1	HD HOOD	ALUMINIUM		GREY	33	
1	ZB-CLIP POSITIONER	STAINLESS STEEL			32	
1	ZB-CLIP POSITIONER	STEEL	ZINC PLATED	BLUE	31	
1	ZB-LOCKING CLIP	STAINLESS STEEL		BLANK	30	
1	ZB-LOCKING CLIP	STEEL	ZINC PLATED	BLUE	29	
1	LB-SLIDE SPOOL	STEEL	ZINC PLATED	BLUE	28	
1	LB-CLIP BOLT	STAINLESS STEEL		BLANK	27	
1	LB-CLIP BOLT	STEEL	ZINC PLATED	BLUE	26	
1	VS-CLIP SPRING RIGHT	STAINLESS STEEL		BLANK	25	
1	VS-CLIP SPRING RIGHT	STEEL	ZINC PLATED	BLUE	24	
1	VS-CLIP SPRING LEFT	STAINLESS STEEL		BLANK	23	
1	VS-CLIP SPRING LEFT	STEEL	ZINC PLATED	BLUE	22	
1	VS-CLIP POSITIONER	STAINLESS STEEL		BLANK	21	
1	VS-CLIP POSITIONER	STEEL	ZINC PLATED	BLUE	20	
1	VS-LOCKING CLIP	STAINLESS STEEL		BLANK	19	
1	VS-LOCKING CLIP	STEEL	ZINC PLATED	BLUE	18	
1	VS-CLIP BOLT	STAINLESS STEEL		BLANK	17	
1	VS-CLIP BOLT	STEEL	ZINC PLATED	BLUE	16	
1	HD HOOD	ALUMINIUM		GREY	15	WITH OUT TE-LOGO
1	HD HOOD	ALUMINIUM		GREY	14	WITH OUT TE-LOGO
1	HD HOOD	ALUMINIUM		GREY	13	WITH OUT TE-LOGO
1	HD HOOD	ALUMINIUM		GREY	12	WITH OUT TE-LOGO
1	HD HOOD	ALUMINIUM		GREY	11	
1	HD HOOD	ALUMINIUM		GREY	10	
1	HD-K HOOD	ALUMINIUM	ALUMINIUM OXIDE	BLACK	9	
1	HD-K HOOD	ALUMINIUM	ALUMINIUM OXIDE	BLACK	8	
1	HD-K HOOD	ALUMINIUM	ALUMINIUM OXIDE	BLACK	7	
1	HD-K HOOD	ALUMINIUM	ALUMINIUM OXIDE	BLACK	6	
1	HD-K HOOD	ALUMINIUM	ALUMINIUM OXIDE	BLACK	5	
1	HD HOOD	ALUMINIUM		GREY	4	
1	HD HOOD	ALUMINIUM		GREY	3	
1	HD HOOD	ALUMINIUM		GREY	2	
1	HD HOOD	ALUMINIUM		GREY	1	

QTY	DESCRIPTION	MATERIAL	SURFACE	COLOR	ITEM NO	NOTES
1	HD HOOD	ALUMINIUM			44	WITHOUT LOGO&DRILLING
1	HD HOOD	ALUMINIUM			43	WITHOUT LOGO&DRILLING
1	HD HOOD	ALUMINIUM		GREY	42	
1	HD HOOD	ALUMINIUM	UNPAINTED		41	SINGLE PART
1	HD HOOD	ALUMINIUM		GREY	40	3xM20
1	LB-CLIP BOLT	STEEL	ZINC PLATED	BLUE	39	M5
1	HD-K HOOD	ALUMINIUM	ALUMINIUM OXIDE	BLACK	38	
1	HD-K HOOD	ALUMINIUM	ALUMINIUM OXIDE	BLACK	37	
1	HD HOOD	ALUMINIUM		GREY	36	WITH OUT TE-LOGO
1	HD HOOD	ALUMINIUM		GREY	35	WITH OUT TE-LOGO
1	HD HOOD	ALUMINIUM		GREY	34	WITH OUT TE-LOGO
1	HD HOOD	ALUMINIUM		GREY	33	
1	ZB-CLIP POSITIONER	STAINLESS STEEL			32	
1	ZB-CLIP POSITIONER	STEEL	ZINC PLATED	BLUE	31	
1	ZB-LOCKING CLIP	STAINLESS STEEL		BLANK	30	
1	ZB-LOCKING CLIP	STEEL	ZINC PLATED	BLUE	29	
1	LB-SLIDE SPOOL	STEEL	ZINC PLATED	BLUE	28	
1	LB-CLIP BOLT	STAINLESS STEEL		BLANK	27	
1	LB-CLIP BOLT	STEEL	ZINC PLATED	BLUE	26	
1	VS-CLIP SPRING RIGHT	STAINLESS STEEL		BLANK	25	
1	VS-CLIP SPRING RIGHT	STEEL	ZINC PLATED	BLUE	24	
1	VS-CLIP SPRING LEFT	STAINLESS STEEL		BLANK	23	
1	VS-CLIP SPRING LEFT	STEEL	ZINC PLATED	BLUE	22	
1	VS-CLIP POSITIONER	STAINLESS STEEL		BLANK	21	
1	VS-CLIP POSITIONER	STEEL	ZINC PLATED	BLUE	20	
1	VS-LOCKING CLIP	STAINLESS STEEL		BLANK	19	
1	VS-LOCKING CLIP	STEEL	ZINC PLATED	BLUE	18	
1	VS-CLIP BOLT	STAINLESS STEEL		BLANK	17	
1	VS-CLIP BOLT	STEEL	ZINC PLATED	BLUE	16	
1	HD HOOD	ALUMINIUM		GREY	15	WITH OUT TE-LOGO
1	HD HOOD	ALUMINIUM		GREY	14	WITH OUT TE-LOGO
1	HD HOOD	ALUMINIUM		GREY	13	WITH OUT TE-LOGO
1	HD HOOD	ALUMINIUM		GREY	12	WITH OUT TE-LOGO
1	HD HOOD	ALUMINIUM		GREY	11	
1	HD HOOD	ALUMINIUM		GREY	10	
1	HD-K HOOD	ALUMINIUM	ALUMINIUM OXIDE	BLACK	9	
1	HD-K HOOD	ALUMINIUM	ALUMINIUM OXIDE	BLACK	8	
1	HD-K HOOD	ALUMINIUM	ALUMINIUM OXIDE	BLACK	7	
1	HD-K HOOD	ALUMINIUM	ALUMINIUM OXIDE	BLACK	6	
1	HD-K HOOD	ALUMINIUM	ALUMINIUM OXIDE	BLACK	5	
1	HD HOOD	ALUMINIUM		GREY	4	
1	HD HOOD	ALUMINIUM		GREY	3	
1	HD HOOD	ALUMINIUM		GREY	2	
1	HD HOOD	ALUMINIUM		GREY	1	

ORDERING TEXT

HD-2.00-ST-ZB-N	HD-4.00-ST-N	HD-4.00-STD-GR-1.M40.G-NEUTRAL	HD-K.40.S1S-VS-1.M40.G	HD-4.00.S1D-GR-3.M20.G	HD-K.40.S1S-GR-1.M40.G	HD-4.00.S1S-GR	HD-4.00.S1S-GR-1.M32.G	HD-2.40.S1D-ZB-1.M32.G	HD-4.00.S1S-1.M32.G-GRM	HD-4.00.S1S-GR-1.M32.G	HD-4.00.S1S-1.M40.G	HD-4.00.S1D-1.M32.G-GRM	HD-4.00.S1S-1.M40.G	HD-2.40.S1S-ZB-1.M32.G	HD-K.40.S1S-ZB-1.M32.G	HD-K.40.S1S-VS-1.M32.G	HD-K.40.S1S-GR-1.M32.G	HD-K.40.S1D-VS-1.M32.G	HD-K.40.S1D-GR-1.M32.G	HD-K.40.S1D-1.M32.G	HD-4.00.S1S-VS-1.M32.G	HD-4.00.S1S-GR-1.M32.G	HD-4.00.S1D-VS-1.M32.G	HD-4.00.S1D-GR-1.M32.G
-----------------	--------------	--------------------------------	------------------------	------------------------	------------------------	----------------	------------------------	------------------------	-------------------------	------------------------	---------------------	-------------------------	---------------------	------------------------	------------------------	------------------------	------------------------	------------------------	------------------------	---------------------	------------------------	------------------------	------------------------	------------------------

DATE: 10.01.2002
 DRAWN: SCHNEIDER
 CHECKED: SCHWEIGER
 APPD: SCHNEIDER

TYCO Electronics
 Tyco Electronics AMP GmbH
 D-53757 Sankt Augustin, Germany

PRODUCT SPEC: HOOD
 APPLICATION SPEC: HD.40.STD/STS.M32/M40.G

SCALE: 1:1
 SHEET: 1 OF 1
 REVISION: A16