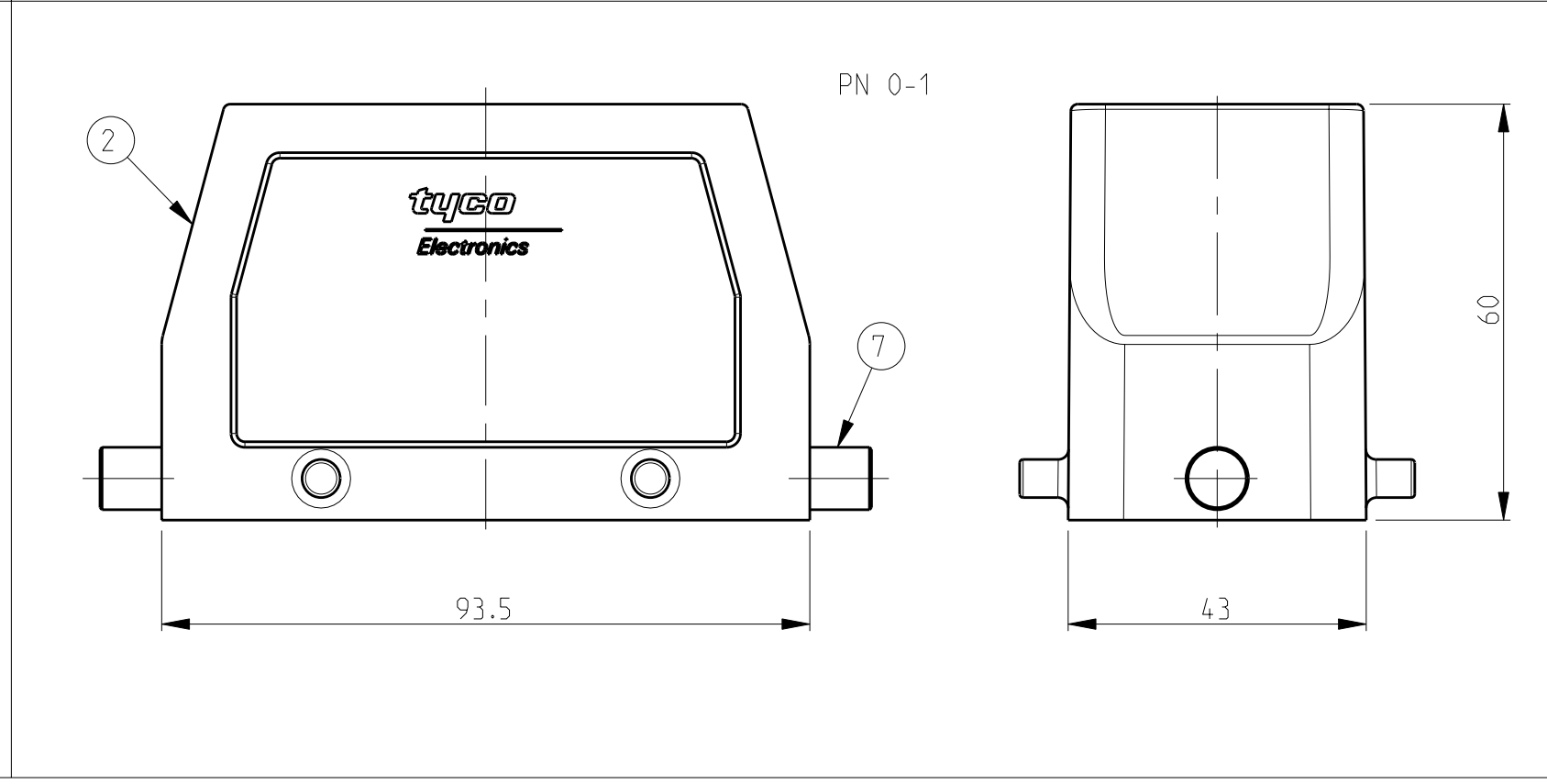
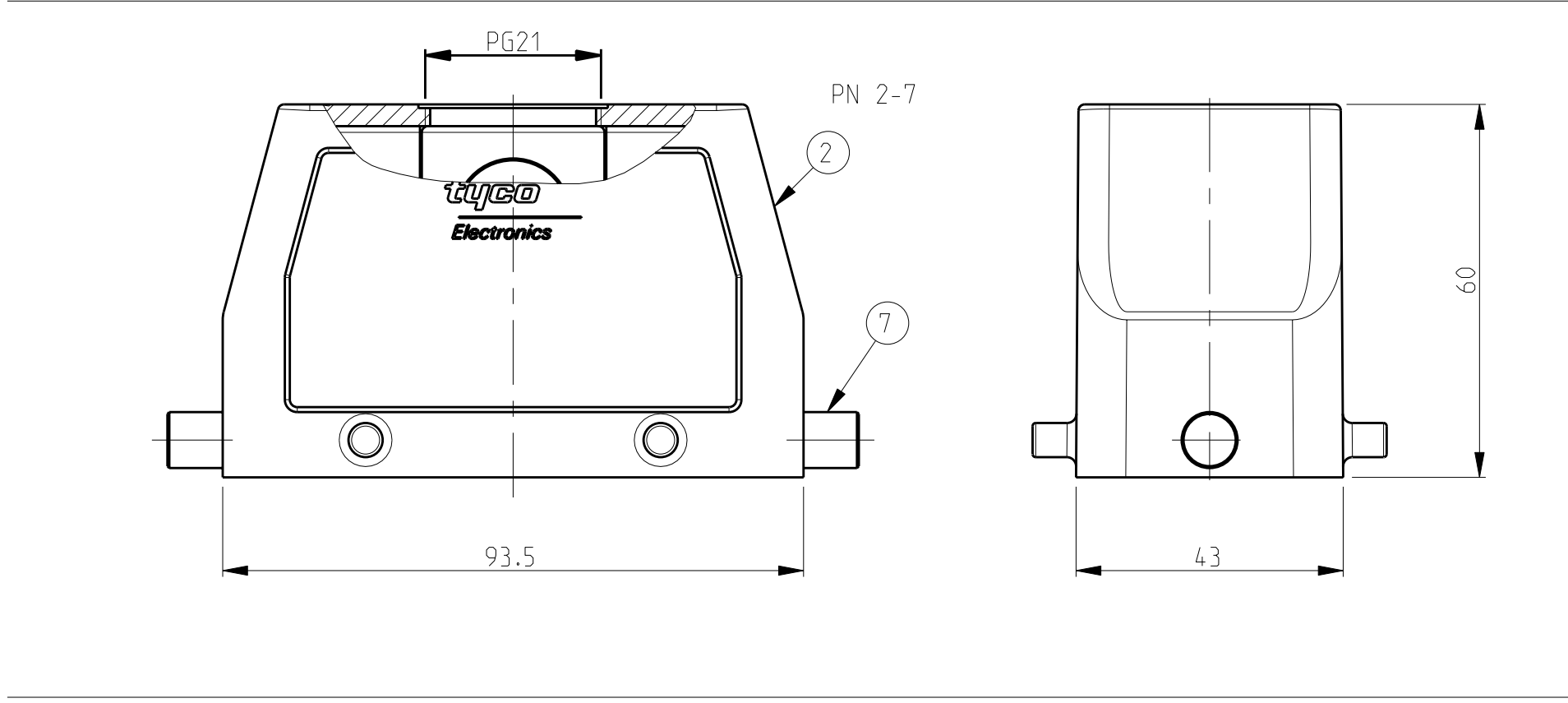
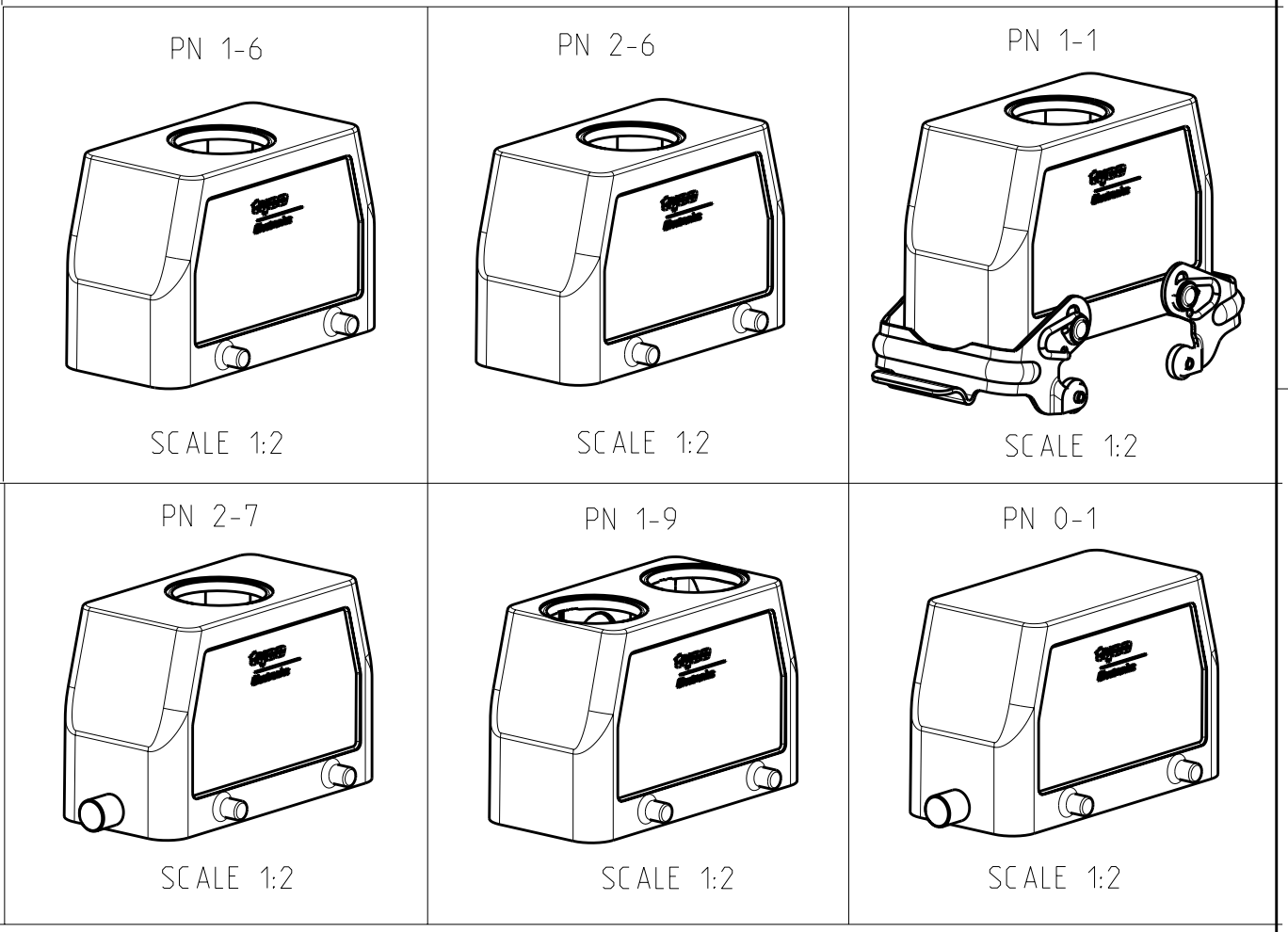
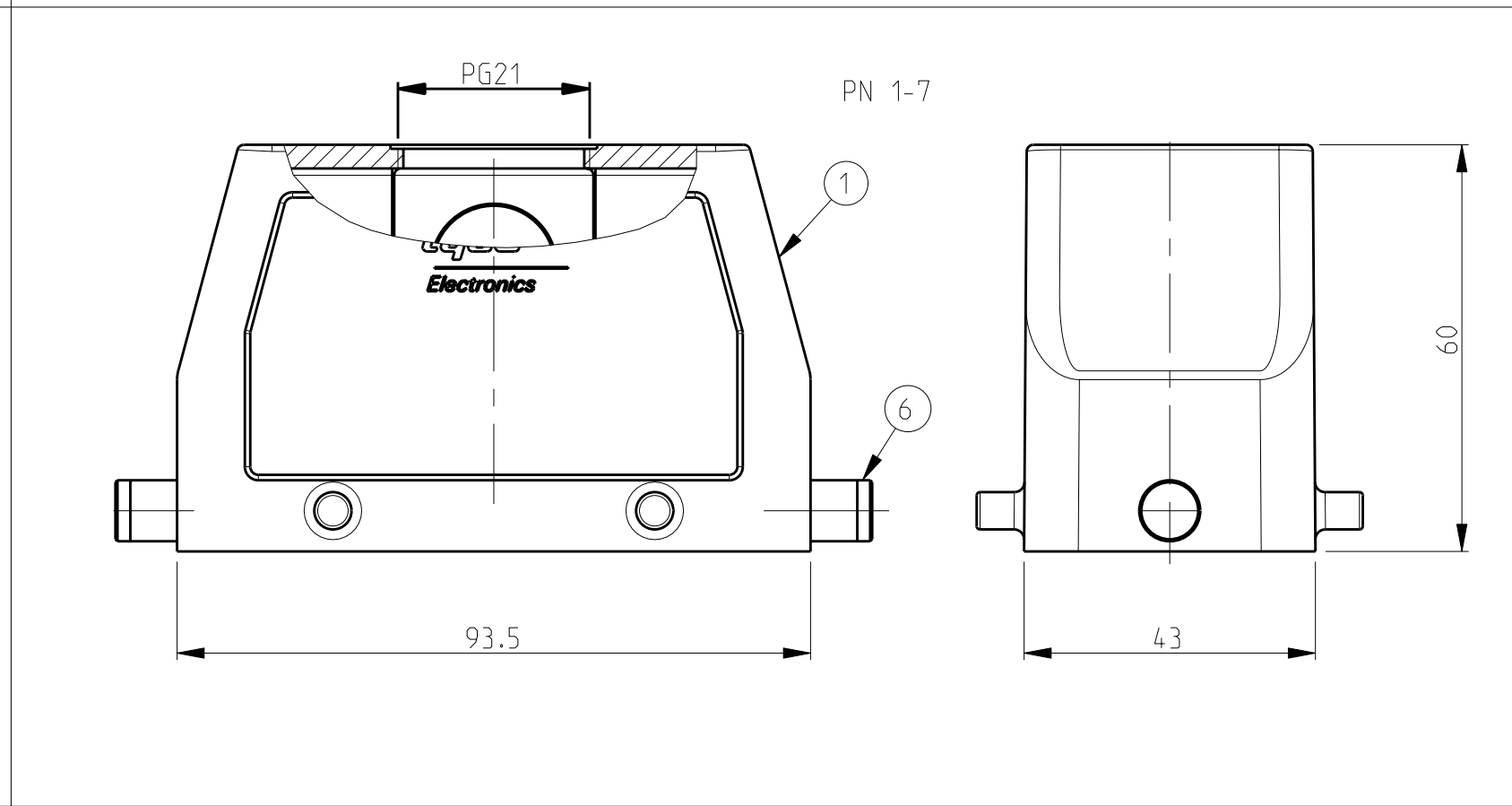
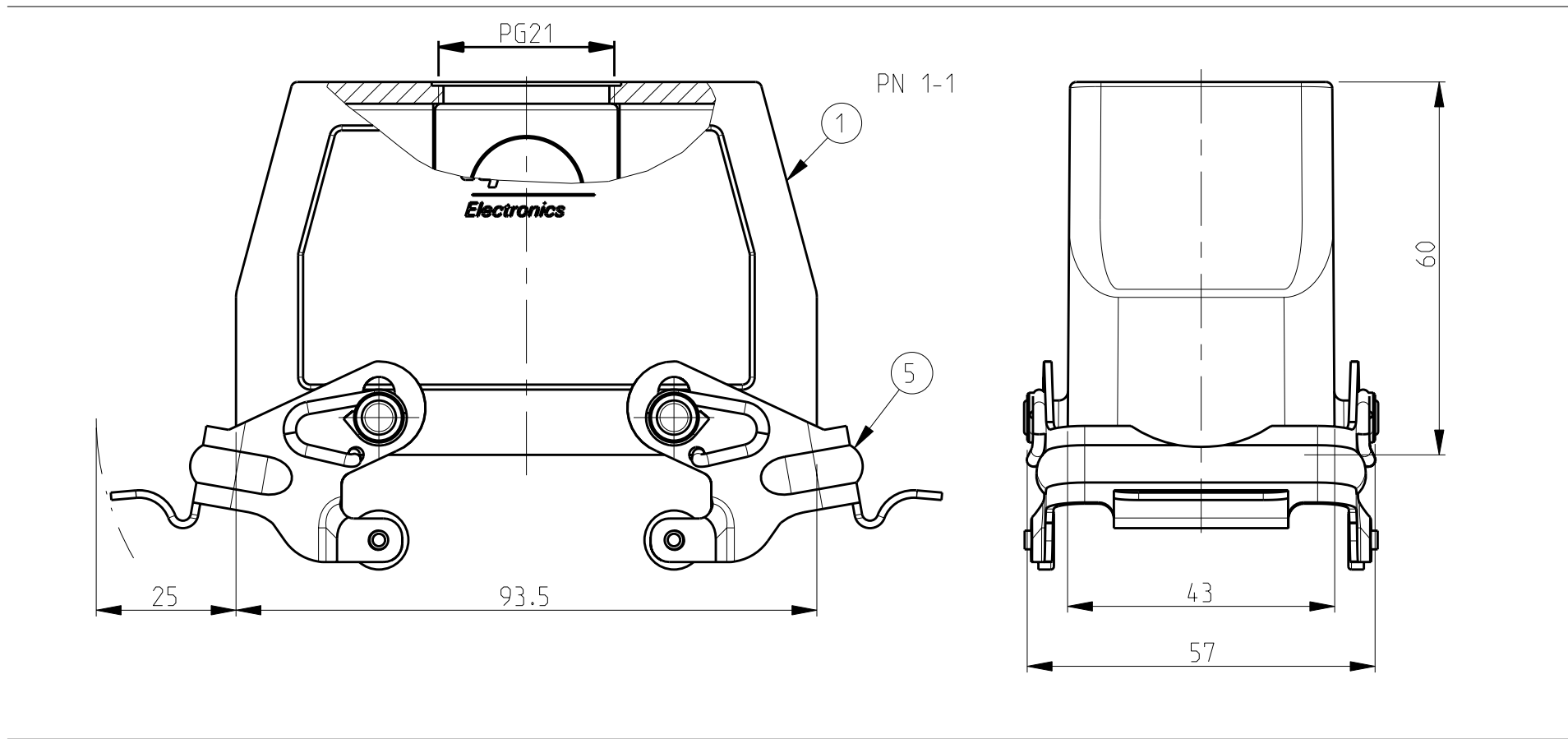


- NOTES
- 1 Material: Housing: aluminium diecasting alloy
  - 2 Surface:- Varnish grey  
Aluminium oxide+Varnish Black
  - 3 Varnish on the inside not necessary
  - 4 Packaging  
Packaging quantity 5 piece in a box



QTY	DESCRIPTION	MATERIAL	SURFACE	COLOR	ITEM NO	NOTES
2	LB-clip bolt	Stainless steel	Blank		7	
2	LB-clip bolt	Steel	Zinc plated	Blue	6	
2	VS-Locking clip	Steel	Zinc plated	Blue	5	
	VS-Clip positioner	Stainless steel	Blank		4	
1	HB Hood	Aluminium		Grey	3	2xPg21
1	HB-K Hood	Aluminium	Aluminium oxide	Black	2	
1	HB Hood	Aluminium		Grey	1	

ORDERING TEXT

HB.16.STO.1.21.G  
 HB-K.16.STO.1.21.G  
 HB.16.STO-VS.1.21.G  
 HB.16.STO-GR.1.21.G  
 HB-K.16.STO-GR.1.21.G  
 HB.16.STO.2.21.G  
 HB-K.16.ST-GR

DIMENSIONS: mm 		TOLERANCES UNLESS OTHERWISE SPECIFIED: mm: 0.10, 0.20, 0.30, 0.50, 0.75, 1.00, 1.50, 2.00, 3.00, 4.00, 5.00, 6.00, 8.00, 10.00, 15.00, 20.00, 30.00, 40.00, 50.00, 60.00, 80.00, 100.00, 150.00, 200.00, 300.00, 400.00, 500.00, 600.00, 800.00, 1000.00 ANGLES: ± 0.5°		DWN: Schneider 10.11.02 CHK: Schwegler 10.11.02 APVD: -		Tyco Electronics Tyco Electronics AMP GmbH 0-53819, Neunkirchen, Germany	
MATERIAL: - FINISH: -		PRODUCT SPEC: 108-74.001 108-74.003 APPLICATION SPEC: 116-74.001 116-74.004		NAME: Hood HB.16.STO.1.21.G		SIZE: A4 CAGE CODE: 00779 DRAWING NO: C=1102295 RESTRICTED TO: A4	
CUSTOMER DRAWING		WEIGHT: -		SCALE: 1:1 SHEET: 1 OF 1 REV: A4		CUSTOMER DRAWING	