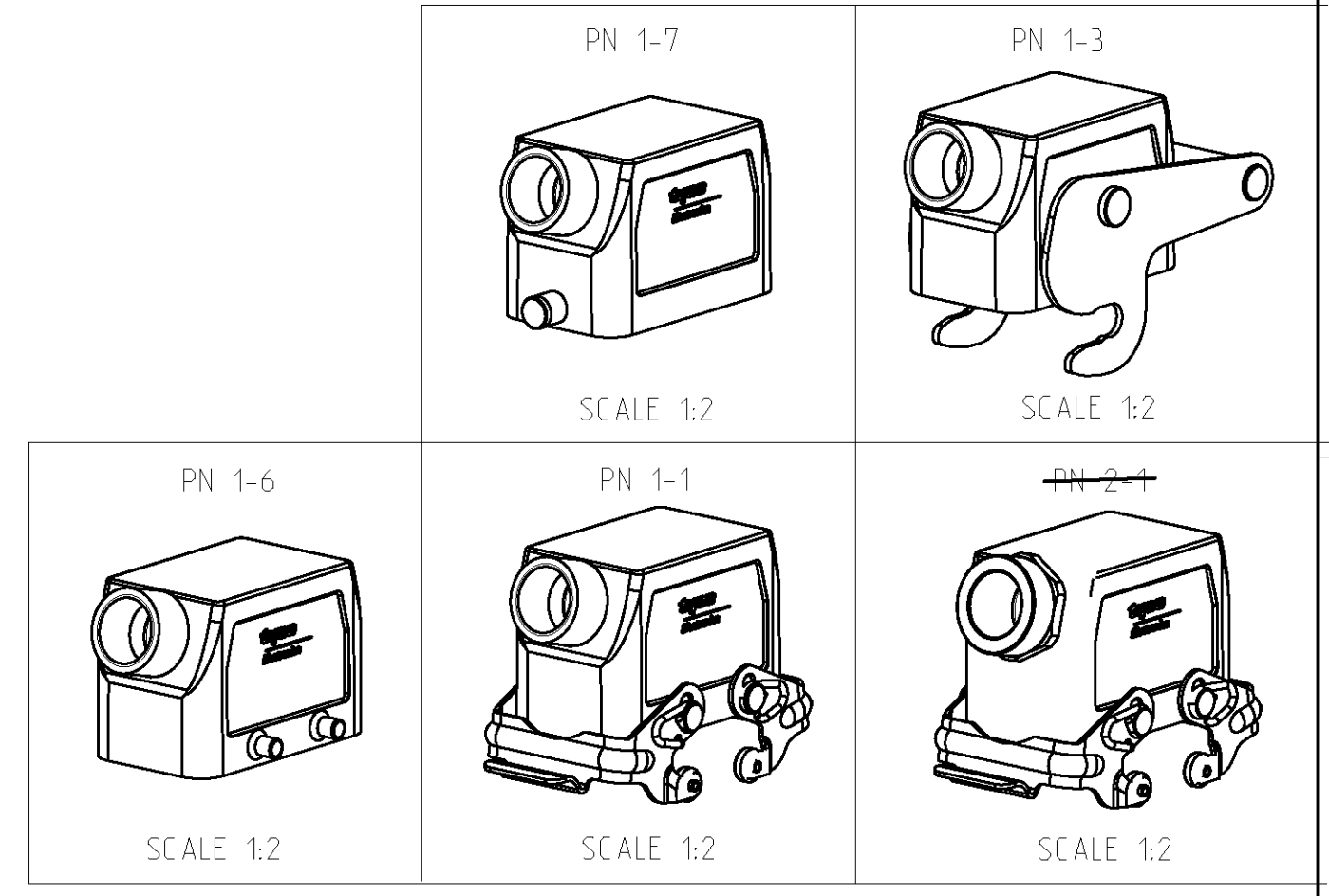


LOC	DIST	REVISIONS			
		REV	DATE	BY	APPV
-	-	A4	17.12.07	SP	TS
-	-	A5	12JAN10	KK	AEG

- NOTES.
- Material:Housing:Aluminium Diecasting Alloy
  - Surface:Varnish grey
  - Varnish on the inside not necessary
  - Packaging  
Quantity 5 Pieces in a box

**⚠️ OBSOLETE PARTS: OBSOLETE CIS STREAMLINING PER D.RENAUD/D.SINISI**



QTY	DESCRIPTION	MATERIAL	SURFACE	COLOR	ITEM NO	NOTES
1	ZB-Central clip	Stainless steel	-	-	10	
2	LB-Clip bolt	Stainless steel	-	-	9	
2	LB-Clip bolt	Steel	Zinc plated	Blue	8	
2	VS-Side clip	Stainless steel	-	-	7	
2	VS-Side clip	Steel	Zinc plated	Blue	6	
4	VS-Clip bolt	Stainless steel	-	-	5	
1	6-K1-Adaptor PG16	Brass	Nickel plated	-	4	
1	Adaptor round PG16	Brass	Nickel plated	-	3	
1	Hood HB.10.Pg.1.16	Aluminium	Aluminium oxide	Blak	2	
1	Hood HB.10.Pg.1.16	Aluminium	-	Grey	1	

ORDERING TEXT  
 HB.10.STS.1.16.Z  
 HB-K.10.Sts.1.16.Z  
 HB.10.STS-VS.1.16.Z  
 HB-K.10.STS-VS.1.16.Z  
 HB.10.STS-GR.1.16.Z  
 HB-K.10.Sts-GR.1.16.Z  
 HB-Z.10.STS-ZB.1.16.Z

DIMENSIONS: mm		TOLERANCES UNLESS OTHERWISE SPECIFIED:		DWN Schneider 03.03.99		Tyco Electronics Tyco Electronics AMP GmbH	
MATERIAL		FINISH		DWK Schwieger 03.03.99		0-53819,Neunkirchen,Germany	
PRODUCT SPEC		APPLICATION SPEC		NAME		Hood HB.10.Sts.1.16.Z	
WEIGHT		SCALE		SIZE		CAGE CODE DRAWING NO RESTRICTED TO	
CUSTOMER DRAW ING		SCALE 1:1		A 00779 C=1102260		SHEET 1 OF 1 REV A5	