

4

3

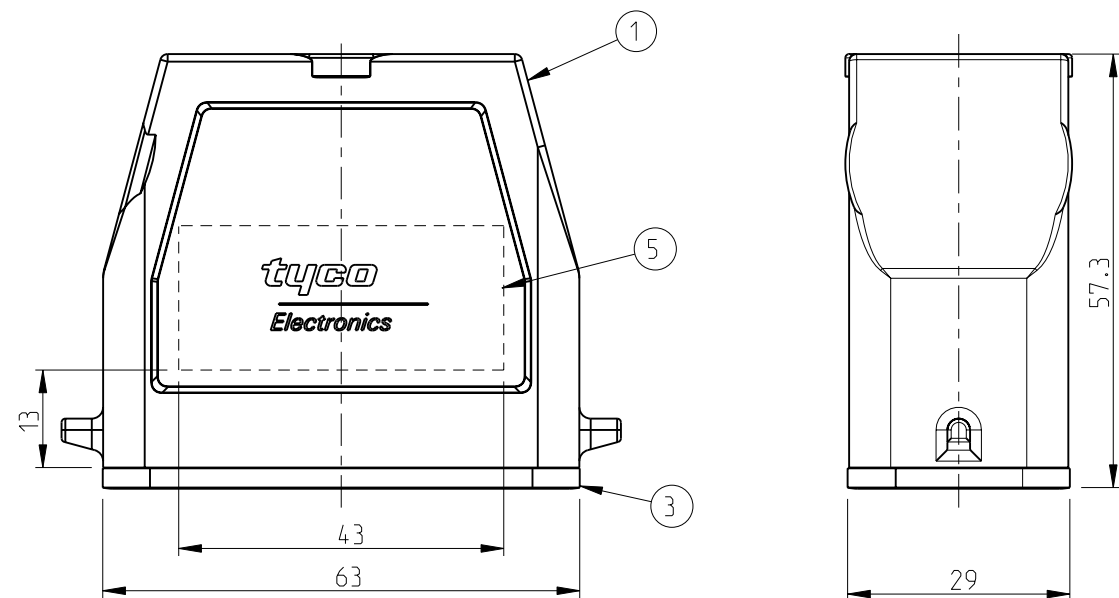
2

1

THIS DRAWING IS UNPUBLISHED. RELEASED FOR PUBLICATION 2000
 © COPYRIGHT 2000 BY TYCO ELECTRONICS CORPORATION. ALL RIGHTS RESERVED.

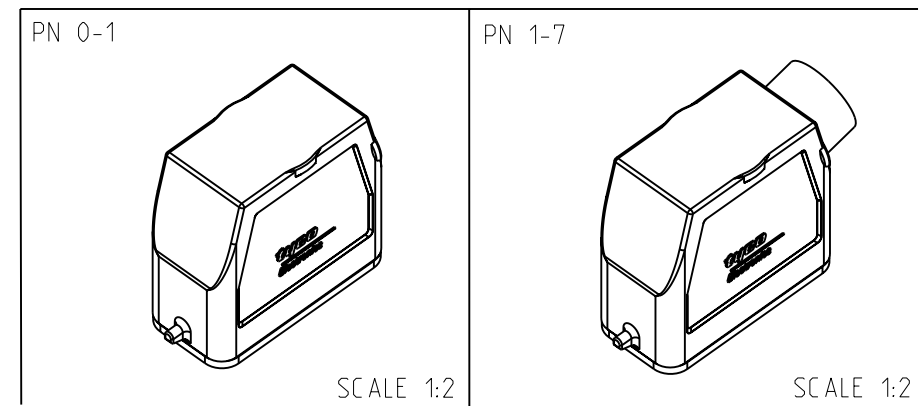
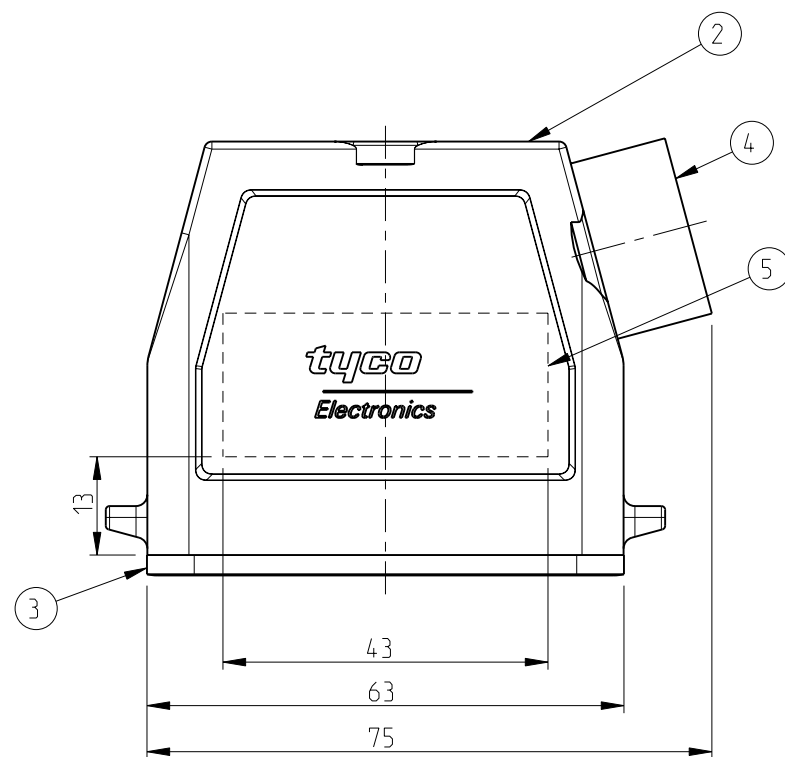
LOC	DIST	REVISIONS					
		P	LTR	DESCRIPTION	DATE	DWN	APVD
A1	-	B2		RELEASED AS PER ECR-09-005170	05.MAR.2009	GG	TS

PN 0-1



- NOTES
- 1 PACKAGING
PACKAGING QUANTITY:5 PIECES PER BOX
 - 2 MATERIAL:HOUSING ALUMINIUM DIECASTING ALLOY
 - 3 SURFACE:VARNISH-GREY
 - 4 VARNISH ON THE INSIDE NOT NECESSARY

PN 1-7



QTY	DESCRIPTION	MATERIAL	SURFACE	COLOR	ITEM NO	REMARKS
2	INSULATING TAPE	COROPLAST TYP 303	-	GREY	5	PVC-SOFT
1	ADAPTOR ROUND	BRASS	NICKEL PLATED	BLUE	4	PG16
1	PROFILE SEAL	NEOPRENE	-	BLACK	3	
1	HA,HOOD	ALUMINIUM	-	GREY	2	
-	HA,HOOD	ALUMINIUM	-	GREY	1	WITHOUT PG

HA.10.ST
HA.10.STS.1.16.Z

DWN S.KUMAR 2/24/2006	Tyco Electronics 53757 Sankt Augustin, Germany
CHK R.SRINIVAS 2/24/2006	
APVD T.SCHNURPFEL 2/24/2006	
PRODUCT SPEC 108-74009	NAME HOOD HA.10.STS.1.16.Z
APPLICATION SPEC 114-74001	SIZE A3
WEIGHT -	CAGE CODE 00779
CUSTOMER DRAWING	DRAWING NO C=1102116
SCALE 1:1	RESTRICTED TO
SHEET 1 OF 1	REV B2

THIS DRAWING IS A CONTROLLED DOCUMENT FOR TYCO ELECTRONICS CORPORATION IT IS SUBJECT TO CHANGE AND THE CONTROLLING ENGINEERING ORGANIZATION SHOULD BE CONTACTED FOR THE LATEST REVISION.

DIMENSIONS: mm	TOLERANCES UNLESS OTHERWISE SPECIFIED: n,ISO 8015 n,ISO 2768-mS-E n,DIN 16901-120
	0 PLC ± 1 PLC ± 2 PLC ± 3 PLC ± 4 PLC ± ANGLES ±
MATERIAL 2	FINISH 3