

Alle Rechte vorbehalten/ All rights reserved

5

4

3

2

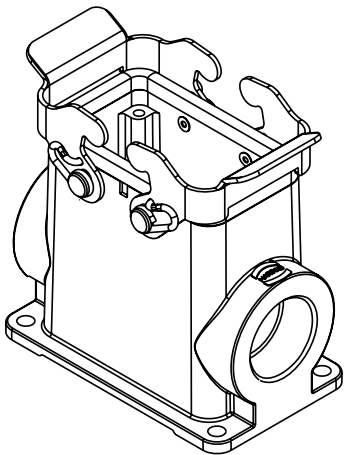
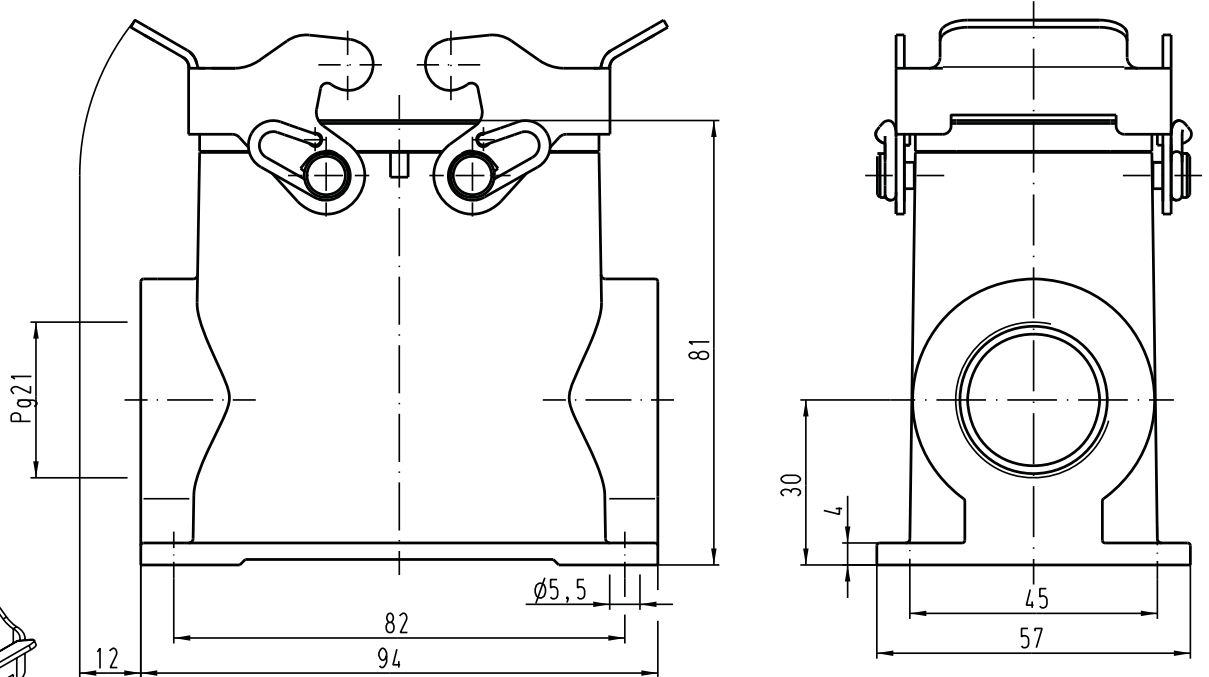
1

D

C

B

A



|   |          |      |                                |          |                 |  |                          |  |             |
|---|----------|------|--------------------------------|----------|-----------------|--|--------------------------|--|-------------|
| All Dimensions in mm<br>Original Size DIN A 4 |          |      | Techn. Character.              |          |                 | Nicht tolerierte Masse! Free size tolerances                             |                          |  |             |
|   |          |      | Del.                           | Name     | Massestab/Scale | <b>Han 10M-asg1-QB-21</b><br>Sockelgehäuse/<br>housings surface mounting |                          |  |             |
|   |          |      | Detail.                        | 01.10.01 |                 |  |                          |  | Poe         |
|   |          |      | Insp.                          |          |                 |  |                          |  | Wei I       |
|   |          |      | Stand.                         |          |                 |  |                          |  |             |
| 30862   | 18.03.02 | Gö   | HARTING Electric GmbH & Co. KG |          |                 |  | <b>TB 09 37 010 0232</b> |  | Blatt/ page |
| 29668   |          |      | D-32339 Espelkamp              |          |                 |  |                          |  |             |
| Mod.  | Dat.     | Name |                                |          |                 |  |                          |  |             |