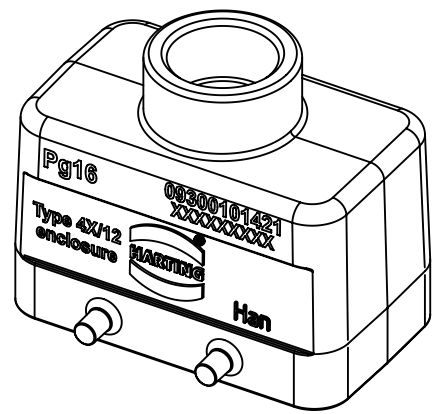
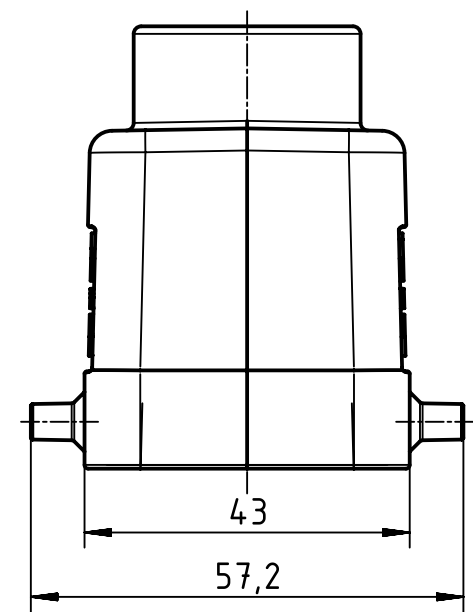
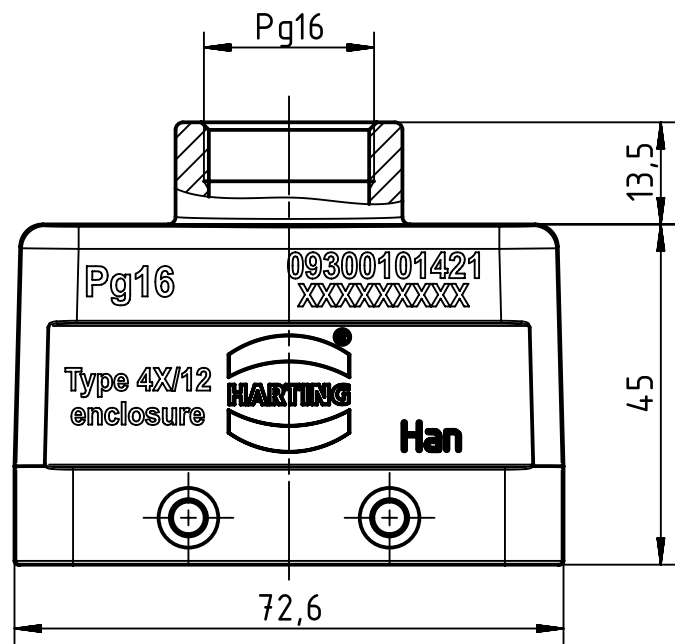


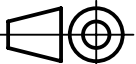

A

B

C

D



|  |                                      |                |                 |            |  |      |
|--|--------------------------------------|----------------|-----------------|------------|--|------|
|  All Dimensions in mm<br>Original Size DIN A4 | Scale                                | Free size tol. |                 |            | Ref.   |      |
|  | 1:1                                  |                |                 |            | Sub.   |      |
|  All rights reserved<br>Department EL PD - DE | Created by                           | Inspected by   | Standardisation | Date       | State  |      |
|  | FINKEV                               | BERGHORN       | TIEMANNA        | 2017-03-09 | Final Release  |      |
| HARTING Electric GmbH & Co. KG<br>D-32339 Espelkamp  | Title                                |                |                 |            | Doc-Key / ECM-Nr.<br>100192177/UGD/004/B<br>500000116489 |      |
|  | Han B Hood Top Entry LC 4 Pegs PG 16 |                |                 |            |  |      |
|  | Type                                 | Number         |                 |            | Rev.   | Page |
|  | TB                                   | 09 30 010 1421 |                 |            | B  | 1/1  |