

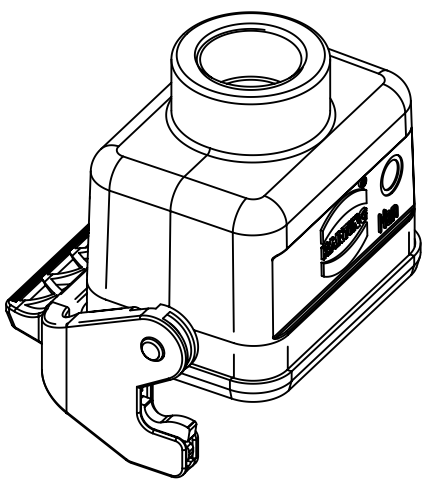
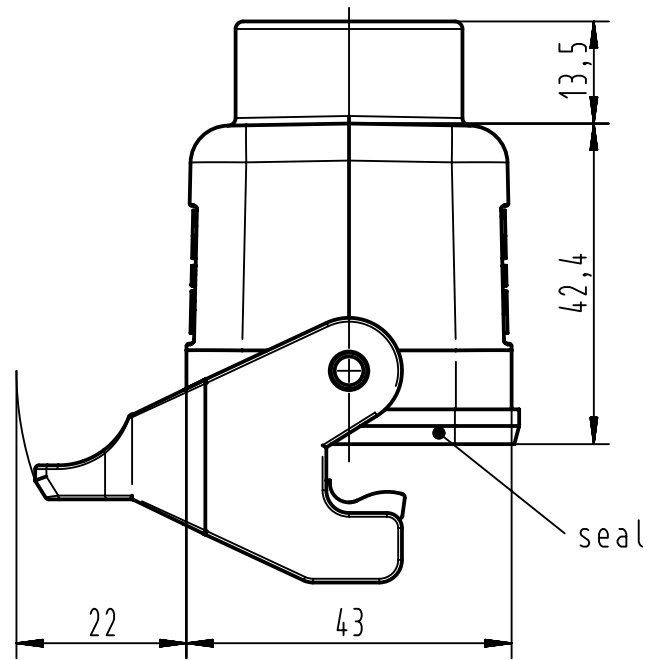
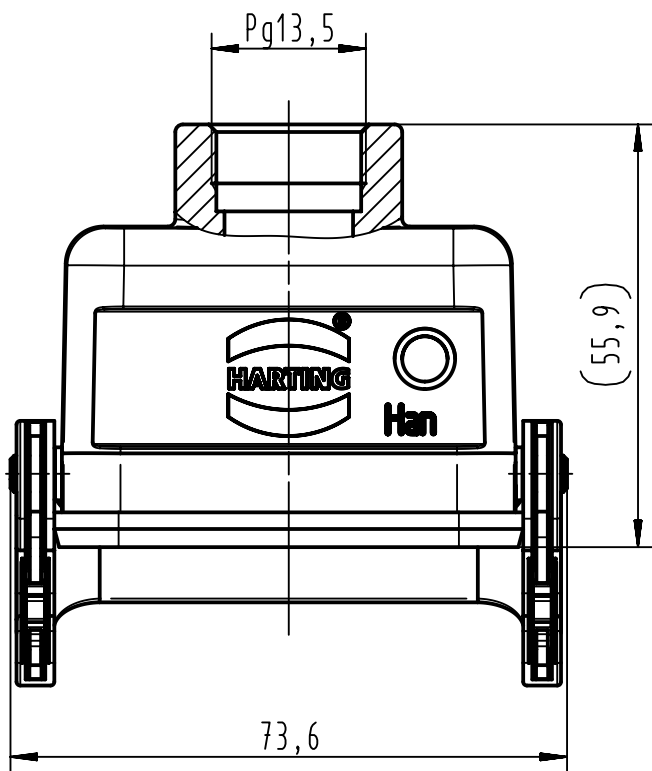
1 2 3 4 5 6

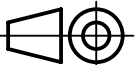

A

B

C

D



 All Dimensions in mm Original Size DIN A4	Scale 1:1		Free size tol.		Ref.	
	Created by RULLKOETTER		Inspected by BERGHORN		Standardisation SCHMIDTM	
 All rights reserved Department EL PD - DE	Date 2012-12-18		State Final Release		Doc-Key / ECM-Nr. 100201256/UGD/004/A	
	Title Han 6B-kv-LB-13.5					Rev. A
HARTING Electric GmbH & Co. KG D-32339 Espelkamp		Type TB	Number 09 30 006 1750			Page 1/1