

THIS DRAWING IS UNPUBLISHED.

RELEASED FOR PUBLICATION

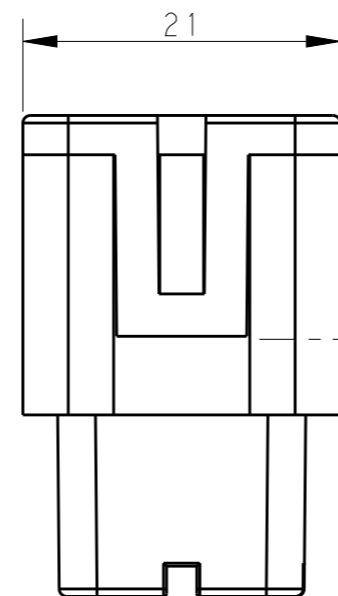
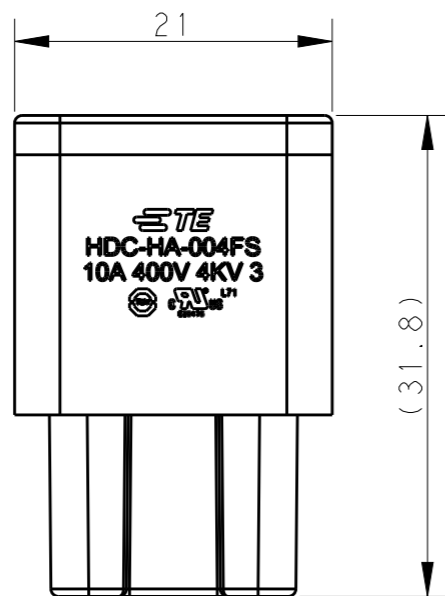
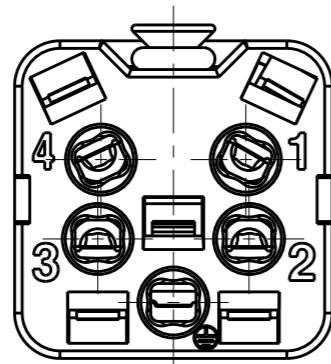
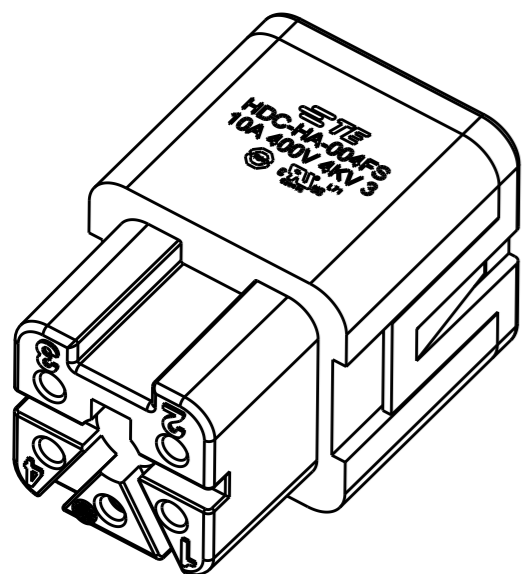
20

© COPYRIGHT 20 BY -

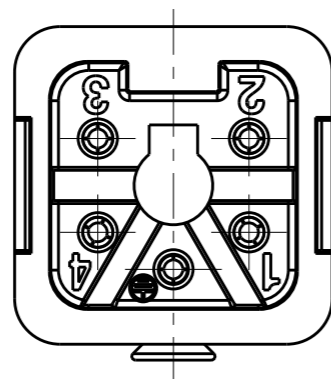
ALL RIGHTS RESERVED.

REVISIONS

P	LTR	DESCRIPTION	DATE	DWN	APVD
	A	INITIAL RELEASE	18DEC2014	DW	CW
	B	ECR-15-013750	21SEP2015	DW	CW
	B1	ECR-15-016224	05NOV2015	DW	CW



M3 SCREW,  
RECOMMENDED  
TIGHTENING  
TORQUE 0.5Nm



NOTES:

- TECHNICAL CHARACTERISTICS:  
 INSULATION MATERIAL: PC  
 RATED VOLTAGE: 400 V  
 RATED CURRENT: 10 A  
 INSULATION RESISTANCE:  $\geq 400M\Omega$   
 RATED IMPULSE VOLTAGE: 4 KV  
 POLLUTION DEGREE: 3  
 FLAMMABILITY: UL94V-0  
 MATING CYCLES: 500 CYCLES  
 OPERATION TEMPERATURE:  $-40-+125^{\circ}C$   
 WIRE RANGE: 0.5-2.5 mm<sup>2</sup> (20-14 AWG)  
 CONTACT FINISH: SILVER PLATED  
 CONTACT TYPE: SPRING CONTACT

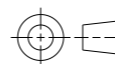
注释:

- 技术参数:  
 绝缘材料: PC  
 额定电压: 400V  
 额定电流: 10A  
 绝缘电阻:  $\geq 400M\Omega$   
 额定脉冲电压: 4 KV  
 污染等级: 3  
 阻燃等级: UL94V-0  
 插拔次数: 500 次  
 工作温度:  $-40-+125^{\circ}C$   
 接线范围: 0.5-2.5 mm<sup>2</sup> (20-14 AWG)  
 端子表面处理: 镀银  
 接线类型: 弹片压接

THIS DRAWING IS A CONTROLLED DOCUMENT.

DIMENSIONS:

mm



TOLERANCES UNLESS OTHERWISE SPECIFIED:

0 PLC	±.0
1 PLC	±.0
2 PLC	±.0
3 PLC	±.0
4 PLC	±.0
ANGLES	±.0

MATERIAL

-

FINISH

-

DWN 18DEC2014

DAVID WANG

CHK 18DEC2014

CHRIS WANG

APVD 18DEC2014

XU XIANG

PRODUCT SPEC

108-137045

APPLICATION SPEC

114-137045

WEIGHT

-

Customer Drawing



TE Connectivity

NAME

HA-004-FS

SIZE

A3

00779

CAGE CODE

G-T2010043201000

DRAWING NO

-

RESTRICTED TO

-

SCALE

2:1

SHEET

1 OF 1

REV

B1