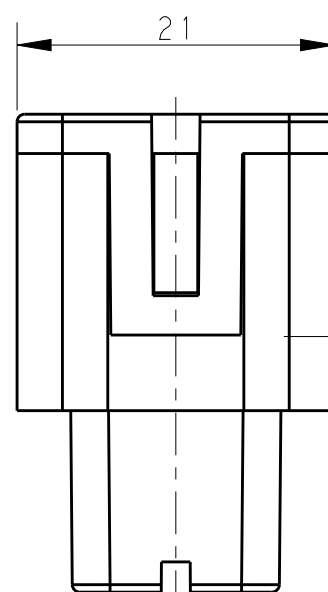
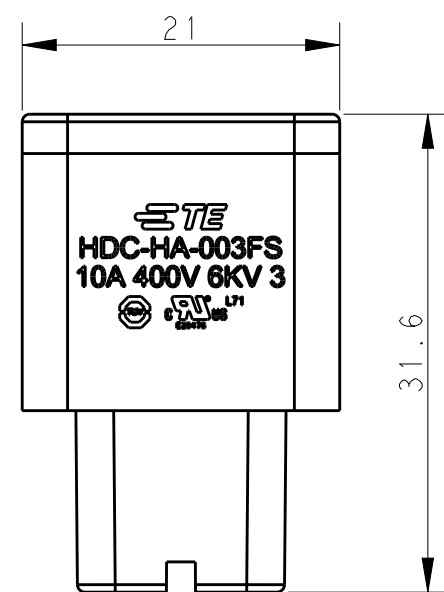
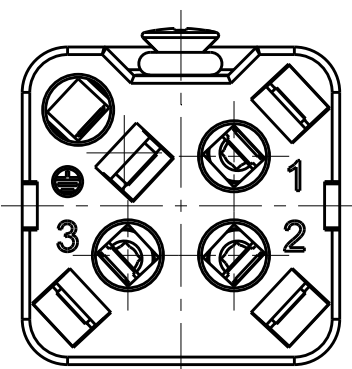
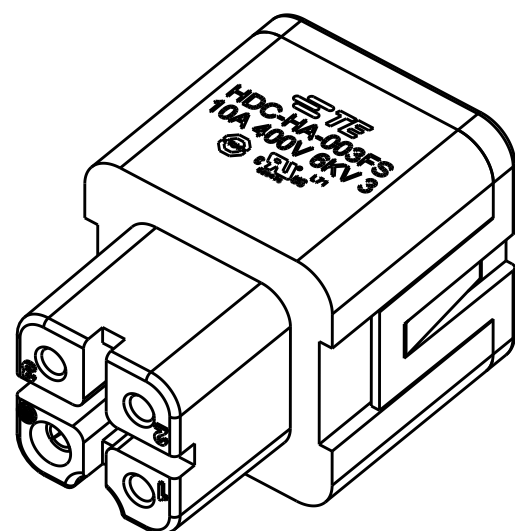
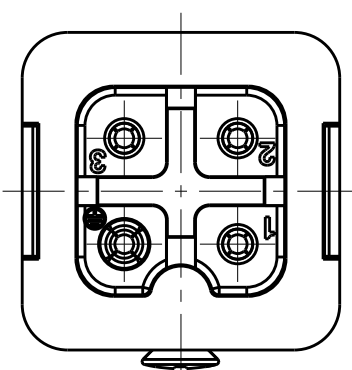


REVISIONS

P	LTR	DESCRIPTION	DATE	DWN	APVD
	A	INITIAL	17MAR2015	DW	CW
	B	ECR-15-013750	19SEP2015	DW	CW
	B1	ECR-15-016224	05NOV2015	DW	CW



M3 SCREW,  
RECOMMENDED  
TIGHTENING  
TORQUE 0.5Nm



NOTES:

- TECHNICAL CHARACTERISTICS:  
 INSULATION MATERIAL: PC  
 RATED VOLTAGE: 400 V  
 RATED CURRENT: 10 A  
 INSULATION RESISTANCE:  $\geq 400M\Omega$   
 RATED IMPULSE VOLTAGE: 6 KV  
 POLLUTION DEGREE: 3  
 FLAMMABILITY: UL94V-0  
 MATING CYCLES: 500 CYCLES  
 OPERATION TEMPERATURE:  $-40-+125^{\circ}C$   
 WIRE RANGE: 0.5-2.5 mm<sup>2</sup> (20-14 AWG)  
 CONTACT FINISH: SILVER PLATED  
 CONTACT TYPE: SPRING CONTACT

注释:

- 技术参数:  
 绝缘材料: PC  
 额定电压: 400V  
 额定电流: 10A  
 绝缘电阻:  $\geq 400M\Omega$   
 额定脉冲电压: 6 KV  
 污染等级: 3  
 阻燃等级: UL94V-0  
 插拔次数: 500 次  
 工作温度:  $-40-+125^{\circ}C$   
 接线范围: 0.5-2.5 mm<sup>2</sup> (20-14 AWG)  
 端子表面处理: 镀银  
 接线类型: 弹片压接

THIS DRAWING IS A CONTROLLED DOCUMENT.

DIMENSIONS:	TOLERANCES UNLESS OTHERWISE SPECIFIED:
mm	
	0 PLC ±-
	1 PLC ±-
	2 PLC ±-
	3 PLC ±-
	4 PLC ±-
	ANGLES ±-
MATERIAL	FINISH
-	-
-	-

DWN	17MAR2015
DAVID WANG	
CHK	17MAR2015
CHRIS WANG	
APVD	17MAR2015
XU XIANG	
PRODUCT SPEC	108-137045
APPLICATION SPEC	114-137045
WEIGHT	-
Customer Drawing	

TE Connectivity		NAME		RESTRICTED TO
		HA-003-FS		
SIZE	CAGE CODE	DRAWING NO	-	
A3	00779	©-T2010033201000	-	
SCALE		SHEET	OF	REV
2:1		1	1	B1