


VC-D3-BU50-PE

Order No.: 1855076

<http://eshop.phoenixcontact.de/phoenix/treeViewClick.do?UID=1855076>Female contact carrier, for turned crimp contacts, type VC 3, 50-pos. +
PE**Commercial data**

GTIN (EAN)	 4 017918 159368
sales group	D220
Pack	10 pcs.
Customs tariff	85366990
Catalog page information	Page 363 (PC-2009)

Product notesWEEE/RoHS-compliant since:
12/15/2005

[http://
www.download.phoenixcontact.com](http://www.download.phoenixcontact.com)
Please note that the data given
here has been taken from the
online catalog. For comprehensive
information and data, please refer
to the user documentation. The
General Terms and Conditions of
Use apply to Internet downloads.

Technical data**Electrical characteristics**

Note	Plug connectors may only be connected/disconnected when under no load.
Rated voltage	250 V
Rated voltage (III/3)	250 V

Rated current	10 A
	10 A
Rated surge voltage	4 kV
Ambient temperature (operation)	-40 °C ... 125 °C
Number of positions	50

Mechanical characteristics

Conductor cross-section	0.14 mm ² ... 1.5 mm ² (stranded)
Connection cross-section AWG	22 ... 16
Stripping length of the individual wire	8 mm
Conductor cross section stranded max.	1.5 mm ²
Insertion/withdrawal cycles	>= 500

General characteristics

Design	VC3
Series	VC-D
Connection method	Crimp connection
Inflammability class acc. to UL 94	V0
Pollution degree	2
Surge voltage category	III

Material data

Contact carrier material	PA-GF
--------------------------	-------

Certificates / Approvals

Certification CUL, GOST, UL

Accessories

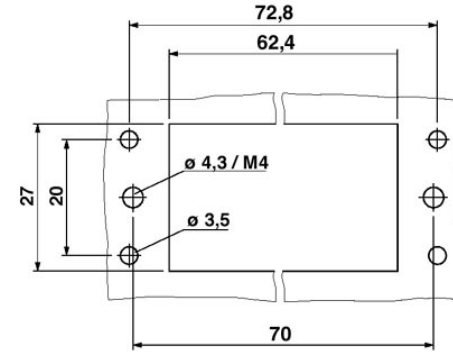
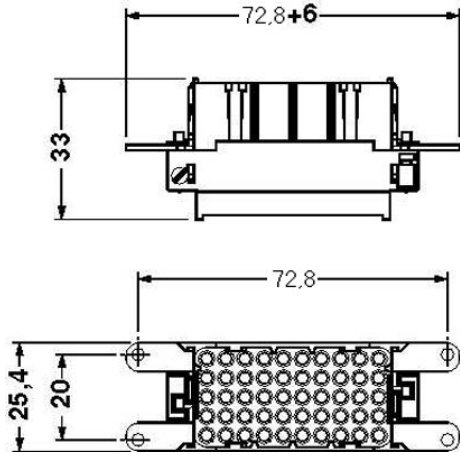
Item	Designation	Description
------	-------------	-------------

Assembly

1855319	VC-D-AF	Panel mounting flange for screw locking, for fixing the crimp contact insert to the housing panel, with two M3 threaded holes and one M4 threaded hole
---------	---------	--

Diagrams/Drawings

Dimensioned drawing



Panel cutout

Address

PHOENIX CONTACT Deutschland GmbH
Flachmarktstr. 8
32825 Blomberg, Germany
Phone +49 5235 3 12000
Fax +49 5235 3 41200
<http://www.phoenixcontact.de>



© 2011 Phoenix Contact
Technical modifications reserved;