

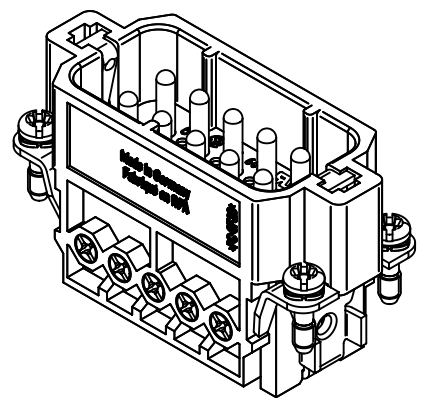
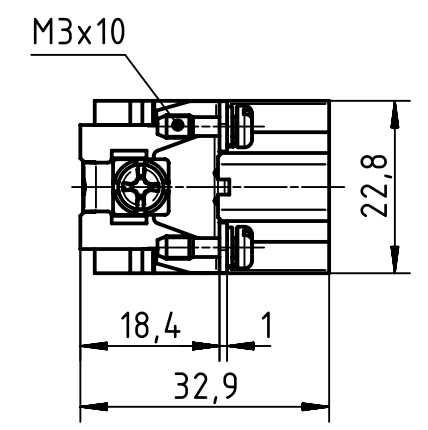
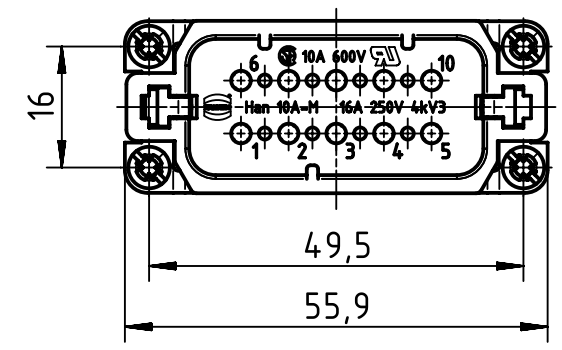
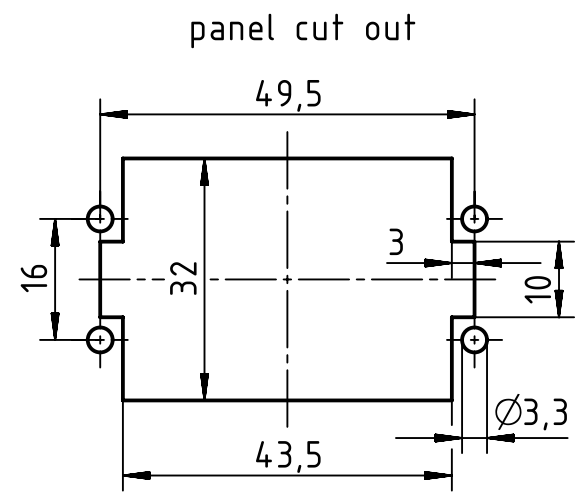
1 2 3 4 5 6

A

B

C

D



	All rights reserved Department EL PD - DE HARTING Electric GmbH & Co. KG D-32339 Espelkamp	All Dimensions in mm Original Size DIN A4		Scale 1:1	Free size tol.	Ref. Sub.
		Created by SPRENB	Inspected by BERGHORN	Standardisation TIEMANNA	Date 2015-09-18	State Final Release
Title Han A 10 Pos. M Insert Screw w/Wire Prot					Doc-Key / ECM-Nr. 100198994 / UGD/002/B 500000091602	
Type TB				Number 09 20 010 2614		Rev. B
						Page 1/1