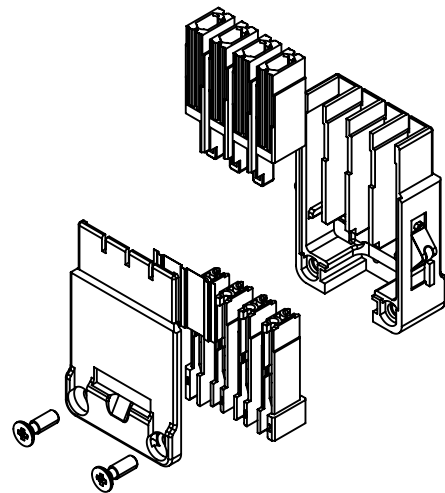


wiring acc. EIA/TIA 568A
view from termination side

green	2•	•1	white/green
orange	6•	•3	white/orange
blue	4•	•5	white/blue
brown	8•	•7	white/brown

wiring acc. EIA/TIA 568B
view from termination side

orange	2•	•1	white/orange
green	6•	•3	white/green
blue	4•	•5	white/blue
brown	8•	•7	white/brown



Female contact		
Part number	Wire gauge	
	mm ²	AWG
09930005476	0,13-0,33mm ²	22-26
09930007476	0,09-0,25mm ²	24-28
09930008476	0,25-0,52mm ²	20-24

	All Dimensions in mm Original Size DIN A4		Scale 2:1	Free size tol.		Ref.	
	All rights reserved Department EL PD - DE		Created by RULLKOETTER	Inspected by RIEPE	Standardisation RUETERA	Date 2018-05-09	State Final Release
HARTING Electric GmbH & Co. KG D-32339 Espelkamp			Title Han Gigabit insert F Cat. 7 (shield-GND)			Doc-Key / ECM-Nr. 100706499/UGD/000/C 500000134981	
			Type TB	Number 09 14 008 3132		Rev. C	Page 1/1