

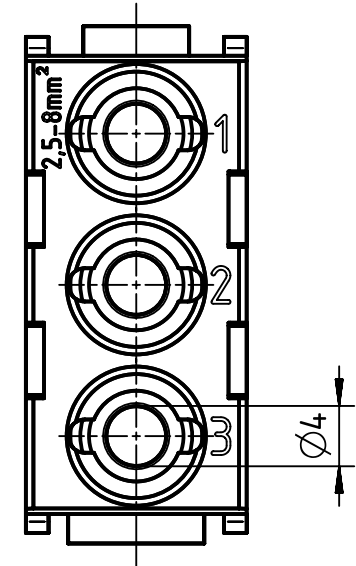
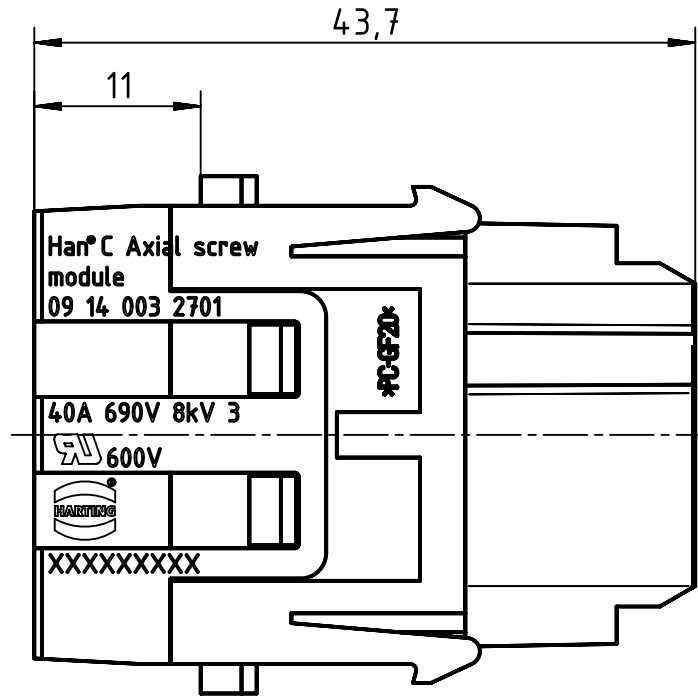
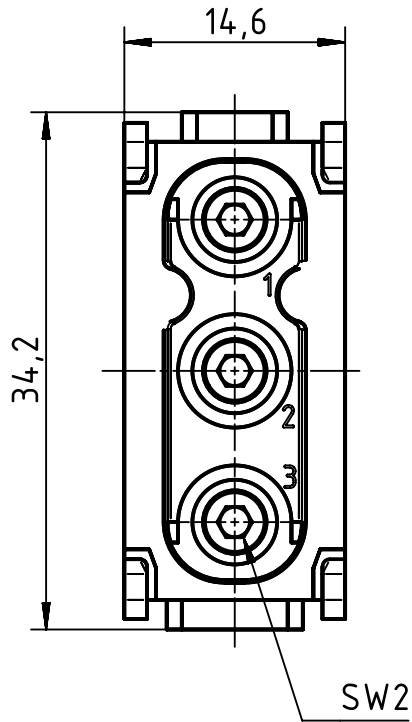
1 2 3 4 5 6

A

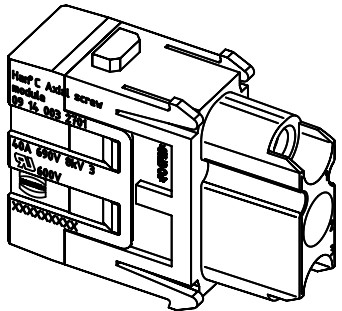
B

C

D



for stranded wire 2,5-8mm², AWG 14-8, fine wire



	All Dimensions in mm Original Size DIN A4	Scale 2:1		Free size tol.		Ref.	
						Sub.	
	All rights reserved Department EL PD - DE	Created by RULLKOETTER	Inspected by SCHNIEDER	Standardisation TIEMANNA	Date 2014-06-11	State Final Release	
		Title Han C axial module female 2,5-8mm ²					Doc-Key / ECM-Nr. 100169078/UGD/007/B 500000074632
HARTING Electric GmbH & Co. KG D-32339 Espelkamp		Type TB	Number 09 14 003 2701			Rev. B	Page 1/1