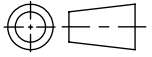
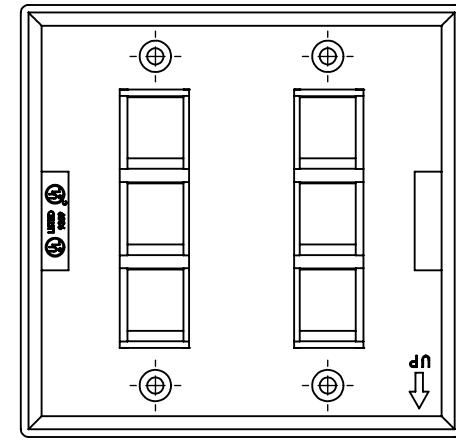
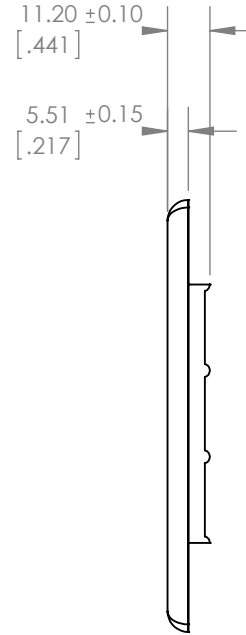
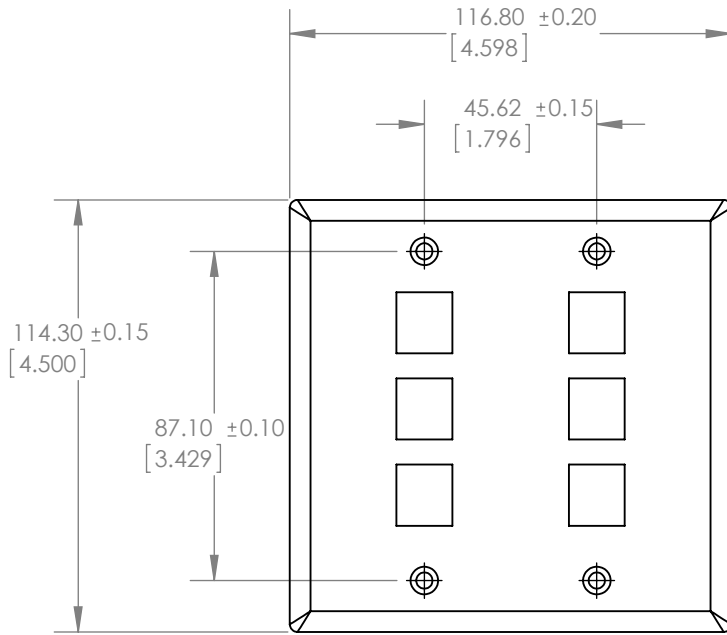


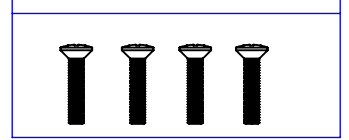
SW2014



Revision level			Revision Record	Changed	Date	Approved	Date
Drawing	State	Part					
00.2	In Work		SEE ECN# 013182	SNH	7/1/2015	KAC	7/1/2015



Includes 4 Mounting Screws



Material
ABS 94V-0

Units: **millimeters**
 Dimension without tolerances details to:
 .xxx = ±.013
 .xx = ±.13
 .x = ±.3
 None = ±.8
 < = ±0.5°
 Dimension Formatted mm/[in]

The copyright of this drawing is reserved by HellermannTyton. It is issued on condition that it is not reproduced, copied, or disclosed to a third party, either wholly or in part, without the consent of HellermannTyton.

Drawn	SNH	7/1/2015
Approved	KAC	7/1/2015

HellermannTyton
 North America
 Email: corp@htamericas.com
 Web: www.hellermann.tyton.com

Article/Type-No	FPDGSIX
Title	DUAL GANG 6 PORT FLUSH MOUNT FACEPLATE
Drawing-No	15-0382-001-CSU
Production : Phase	

Scale 1:2
 Project Number PRP 15-0382
 Format AH
 Sheet 1/1