

PRODUCT NO.	MOUNTING STYLE	COLOR	SOLDER-TAIL STYLE	BOARD LOCATOR	STAND-OFF	MOUNTING SUPPORT	PAGE	APPLICATION DRAWING	
92856-000	TOP-MOUNT	BLACK	THRU-HOLE, R/A	NO	NO	NO	2	REFER TO TA-946 FOR BOARD LAYOUT	
92856-040					2 mm	2 mm	4		
92856-010					4 mm	4 mm	16		
92856-020					5 mm	5 mm	6		
92856-080					2 mm	NO	14		
92856-090					5 mm		15		
92856-001			SMT, STAGGERED (DOUBLE-ROW)	YES	NO	NO			8
92856-002			SMT, IN-LINE (SINGLE-ROW)						10
92856-003			THRU-HOLE, R/A						12
92856-500			BOTTOM-MOUNT	NATURAL	THRU-HOLE, R/A	NO	NO		NO
92856-540	2 mm	2 mm					5		
92856-510	4 mm	4 mm					17		
92856-520	5 mm	5 mm					7		
92856-501	SMT, STAGGERED (DOUBLE-ROW)	YES			NO	NO		9	
92856-502	SMT, IN-LINE (SINGLE-ROW)							11	
92856-503	THRU-HOLE, R/A							13	

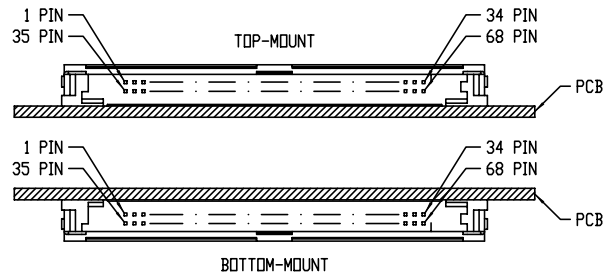


FIG.A MOUNTING STYLE

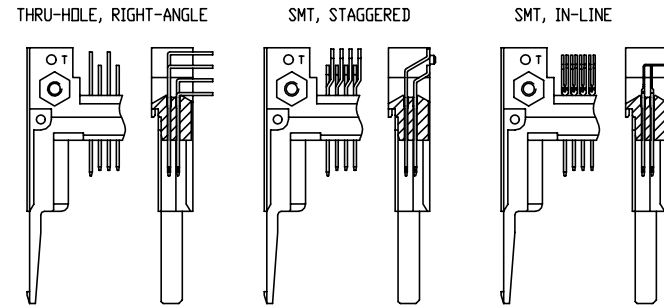
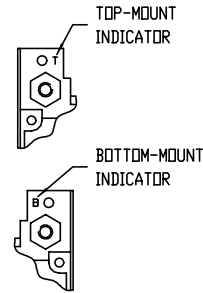


FIG.B SOLDER-TAIL STYLE

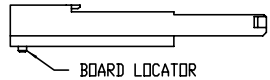


FIG.C BOARD LOCATOR

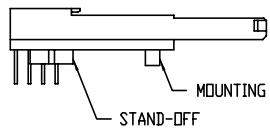
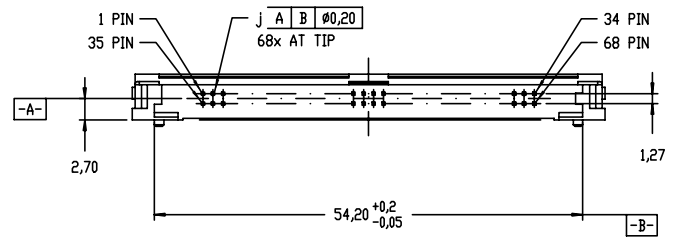
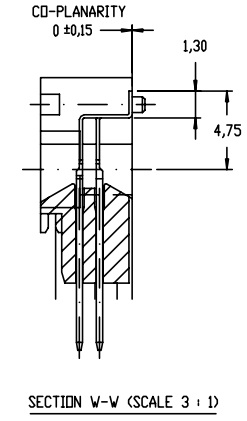
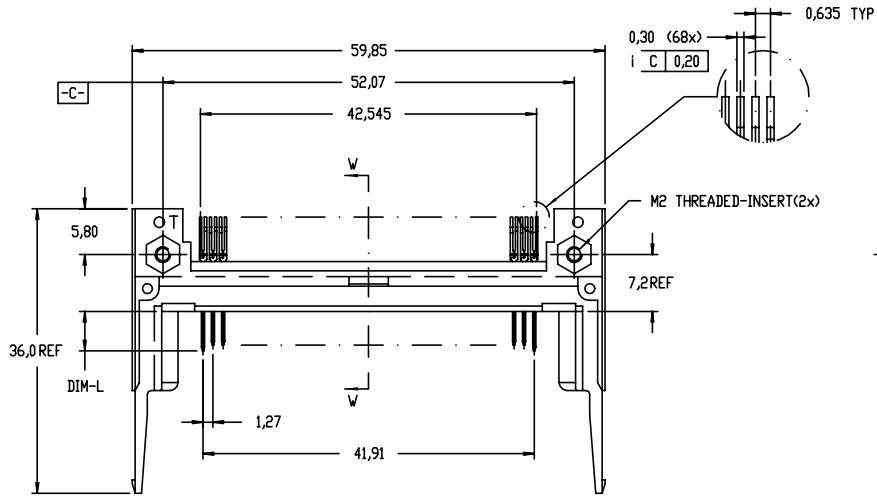


FIG.D STAND-OFF & MOUNTING SUPPORT

mat'l. code		surface <input checked="" type="checkbox"/> ISO1302		tolerance <input checked="" type="checkbox"/> ISO1101 <input checked="" type="checkbox"/> ISO406		projection		product family PCMCIA	
l t r e c n n o d r		date		tolerances unless otherwise specified		MM		68P EJECTOR HEADER ASSEMBLY	
D	V61492	LT SOH	12/05/96	angle	±0.3	scale		FOR PCMCIA/JEIDA TYPE-I/II/III :HEADER ASSEMBLY	
E	V03-0518	WL	05/29/03	0°±2'		N.T.S.		dwg no	
F	BLX-N-011433	ZK	04/02/12				sheet 1 of 17		size
		dr	L T SOH	12/05/96			92856		A4
		enr	L T SOH	12/05/96			type		Product Customer Drawing
		chr	L T SOH	12/05/96					
		appd	L T SOH	12/05/96					
sheet index	revision sheet	F	F	F	F	F	F	F	F
	1	2	3	4	5	6	7	8	9
									10
									11
									12
									13
									14
									15
									16
									17

PRODUCT NO.	MOUNTING STYLE	COLOR	SOLDER-TAIL STYLE	STAND-OFF	MOUNTING SUPPORT	BOARD LOCATOR
92856-002	TOP-MOUNT	BLACK	SMT IN-LINE (SINGLE-ROW)	NO	NO	YES

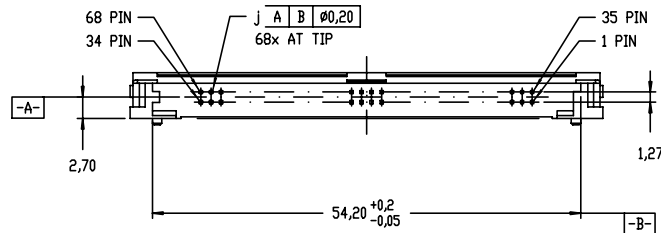
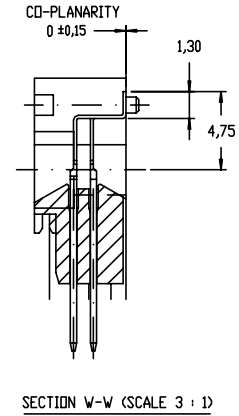
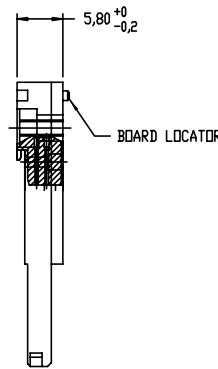
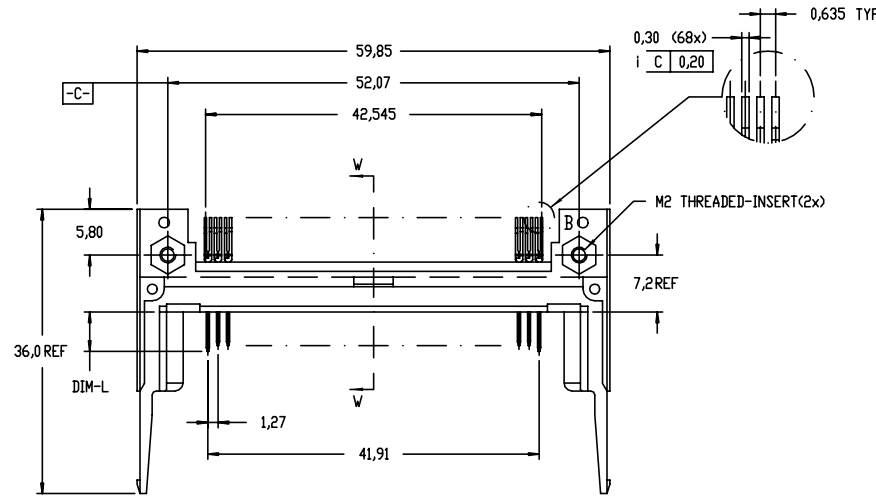


- NOTES :
- SEE TA-946 FOR PCB LAYOUT.
 - MATERIAL :
PLASTIC : HIGH TEMPERATURE THERMOPLASTIC UL94V-0
PIN : PHOSPHOR BRONZE
 - FINISH (PIN) :
UNDER-PLATING : 0,5 µm MIN. NI
CONTACT AREA : 0,076 µm MIN. GOLD
SOLDER AREA : 2,5µm MIN. Sn-Pb
 - PRODUCT SPEC110-263

PIN NO.	36 , 67	1 , 17 , 34 35 , 51 , 68	OTHERS
DIM-L	3,50 ± 0,10	5,00 ± 0,10	4,25 ± 0,10

mat'l. code	surface ISO1302 ✓	tolerance ISO1101 ISO406	projection MM	product family PCMCIA
l'recn nodr	date	tolerances unless otherwise specified	scale N.T.S.	title 68P EJECTOR HEADER ASSEMBLY FOR PCMCIA/JEIDA TYPE-I/II/III :HEADER ASSEMBLY
F		angle 0°±2'	scale	dwg no 92856
		dr L T SOH	12/05/96	sheet 2 of 17 size A4
		engr L T SOH	12/05/96	type Product Customer Drawing
		chr L T SOH	12/05/96	
		appd L T SOH	12/05/96	
sheet index	revision sheet			

PRODUCT NO.	MOUNTING STYLE	COLOR	SOLDER-TAIL STYLE	STAND-OFF	MOUNTING SUPPORT	BOARD LOCATOR
92856-502	BOTTOM-MOUNT	NATURAL	SMT IN-LINE (SINGLE-ROW)	NO	NO	YES



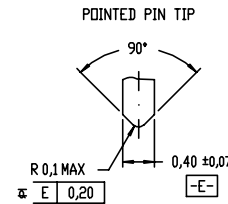
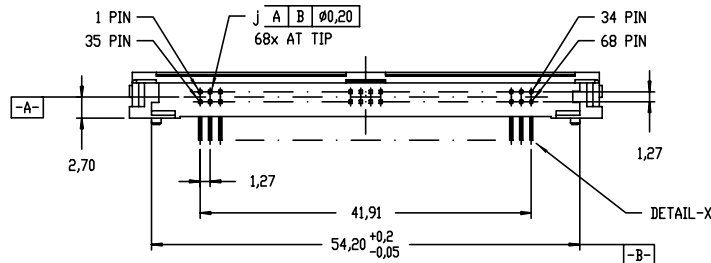
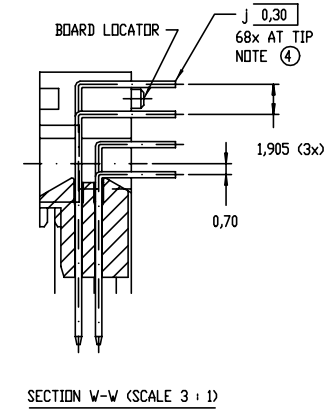
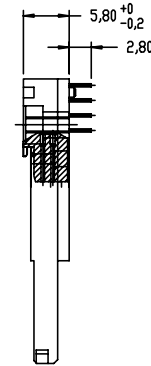
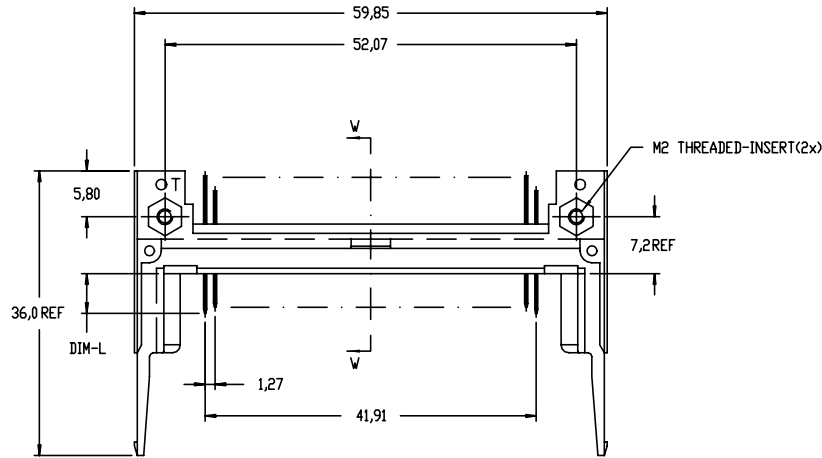
NOTES :

- SEE TA-946 FOR PCB LAYOUT.
- MATERIAL :
 PLASTIC : HIGH TEMPERATURE THERMOPLASTIC UL94V-0
 PIN : PHOSPHOR BRONZE
- FINISH (PIN) :
 UNDER-PLATING : 0,5 µm MIN. NI
 CONTACT AREA : 0,076 µm MIN. GOLD
 SOLDER AREA : 2,5µm MIN. Sn-Pb
- PRODUCT SPEC:110-263

PIN NO.	36 , 67	1 , 17 , 34 35 , 51 , 68	OTHERS
DIM-L	3,50 ± 0,10	5,00 ± 0,10	4,25 ± 0,10

mat'l. code	surface ISO1302 ✓	tolerance ISO1101 ISO406	projection MM	product family PCMCIA
ltr ecn nodr	date	tolerances unless otherwise specified	scale N.T.S.	title 68P EJECTOR HEADER ASSEMBLY FOR PCMCIA/JEIDA TYPE-I/II/III :HEADER ASSEMBLY
F		angle 0°±2'		dwg no 92856
		dr L T SOH	12/05/96	sheet 3 of 17 size A4
		enr L T SOH	12/05/96	type Product Customer Drawing
		chr L T SOH	12/05/96	
		appd L T SOH	12/05/96	
sheet index	revision sheet			

PRODUCT NO.	MOUNTING STYLE	COLOR	SOLDER-TAIL STYLE	STAND-OFF	MOUNTING SUPPORT	BOARD LOCATOR
92856-003	TOP-MOUNT	BLACK	THRU-HOLE, R/A	NO	NO	YES



NOTES :

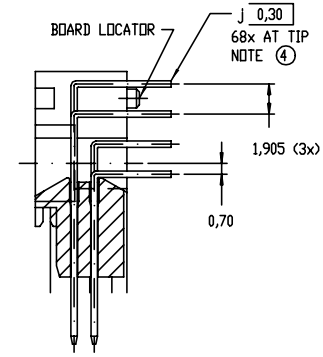
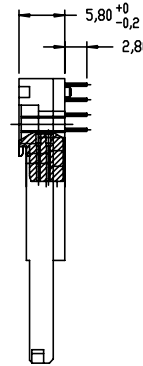
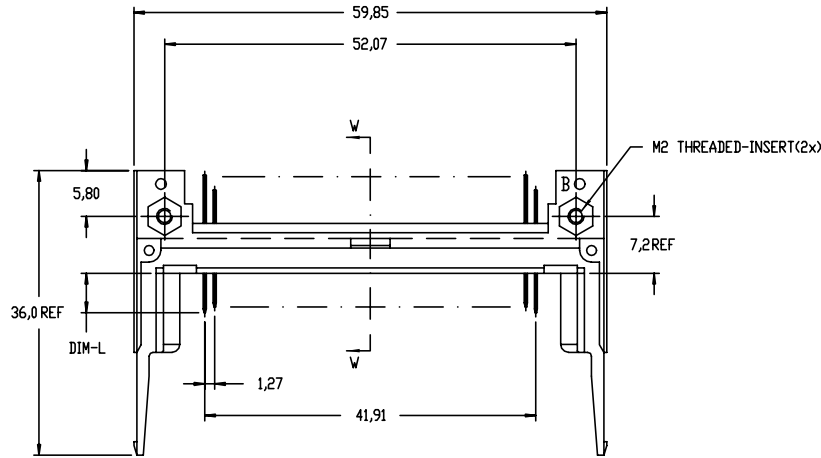
- SEE TA-946 FOR PCB LAYOUT.
- MATERIAL :
PLASTIC : HIGH TEMPERATURE THERMOPLASTIC UL94V-0
PIN : PHOSPHOR BRONZE
- FINISH (PIN) :
UNDER-PLATING : 0,5 µm MIN. Ni
CONTACT AREA : 0,076 µm MIN. GOLD
SOLDER AREA : 2,5µm MIN. Sn-Pb
- TRUE POSITION IS A FREE GRID TO THE PIN PATTERN ITSELF.
- PRODUCT SPEC:110-263

DETAIL-X (SCALE 15 : 1)

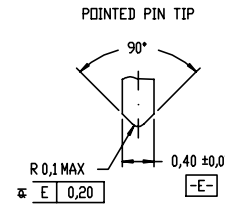
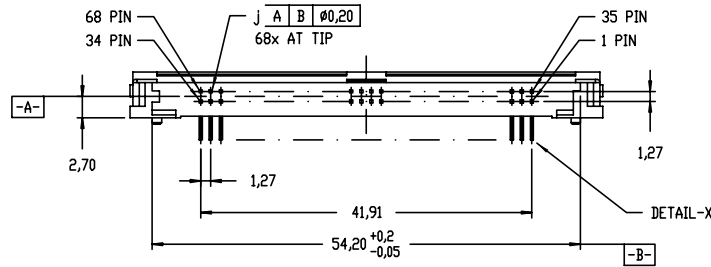
PIN NO.	36 , 67	1 , 17 , 34 35 , 51 , 68	OTHERS
DIM-L	3,50 ± 0,10	5,00 ± 0,10	4,25 ± 0,10

mat'l. code	surface ISO1302 ✓	tolerance ISO1101 ISO406	projection MM	product family PCMCIA
l trechn nodr	date	tolerances unless otherwise specified	scale	title
F		angle 0°±2'	MM	68P EJECTOR HEADER ASSEMBLY FOR PCMCIA/JEIDA TYPE-I/II/III :HEADER ASSEMBLY
		dr L T SOH	scale N.T.S.	dwg no
		enr L T SOH		sheet 4 of 17 size
		chr L T SOH		92856 A4
		appd L T SOH		type Product Customer Drawing
sheet index	revision sheet			

PRODUCT NO.	MOUNTING STYLE	COLOR	SOLDER-TAIL STYLE	STAND-OFF	MOUNTING SUPPORT	BOARD LOCATOR
92856-503	BOTTOM-MOUNT	NATURAL	THRU-HOLE, R/A	NO	NO	YES



SECTION W-W (SCALE 3 : 1)



DETAIL-X (SCALE 15 : 1)

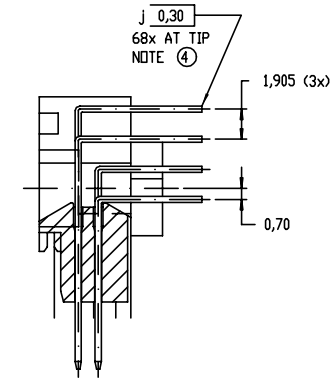
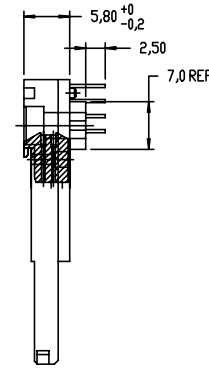
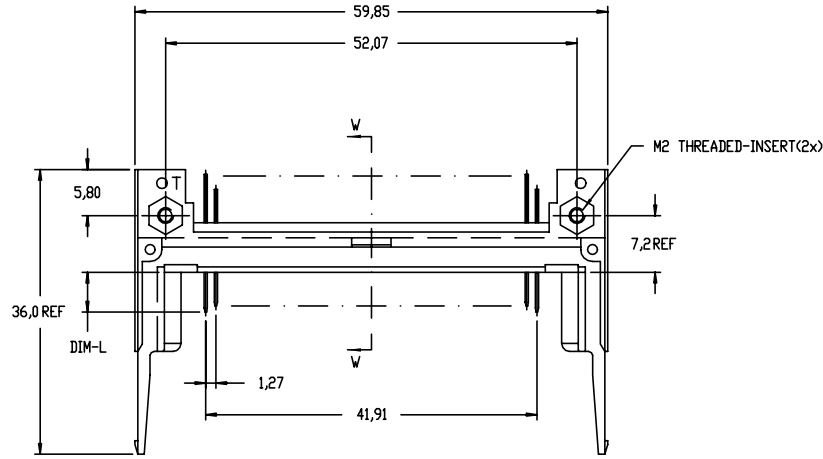
NOTES :

- SEE TA-946 FOR PCB LAYOUT.
- MATERIAL :
PLASTIC : HIGH TEMPERATURE THERMOPLASTIC UL94V-0
PIN : PHOSPHOR BRONZE
- FINISH (PIN) :
UNDER-PLATING : 0,5 µm MIN. NI
CONTACT AREA : 0,076 µm MIN. GOLD
SOLDER AREA : 2,5µm MIN. Sn-Pb
- TRUE POSITION IS A FREE GRID TO THE PIN PATTERN ITSELF.
- PRODUCT SPEC:110-263

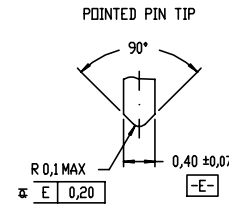
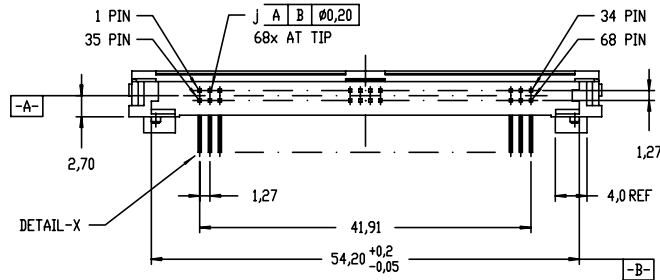
PIN NO.	36 , 67	1 , 17 , 34 35 , 51 , 68	OTHERS
DIM-L	3,50 ± 0,10	5,00 ± 0,10	4,25 ± 0,10

mat'l. code	surface	tolerance	projection	product family
ltr ecn nodr	ISO1302	ISO1101 ISO406	MM	PCMCIA
date	tolerances unless otherwise specified			title
F	angle	±0,3	scale	68P EJECTOR HEADER ASSEMBLY
	0°±2'		N.T.S.	FOR PCMCIA/JEIDA TYPE-I/II/III :HEADER ASSEMBLY
	dr	L T SOH	12/05/96	dwg no
	enr	L T SOH	12/05/96	sheet 5 of 17
	chr	L T SOH	12/05/96	size
	appd	L T SOH	12/05/96	A4
sheet	revision			type
index	sheet			Product Customer Drawing

PRODUCT NO.	MOUNTING STYLE	COLOR	SOLDER-TAIL STYLE	STAND-OFF	MOUNTING SUPPORT	BOARD LOCATOR
92856-080	TOP-MOUNT	BLACK	THRU-HOLE, R/A	2 mm	NO	NO



SECTION A-A (SCALE 3 : 1)



DETAIL-X (SCALE 15 : 1)

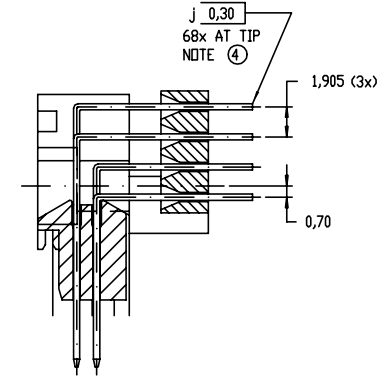
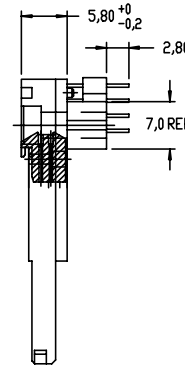
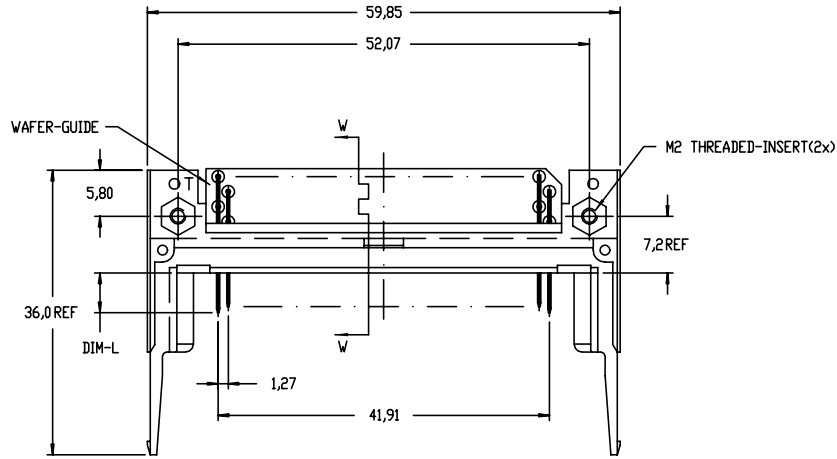
NOTES :

- SEE TA-946 FOR PCB LAYOUT.
- MATERIAL :
PLASTIC : HIGH TEMPERATURE THERMOPLASTIC UL94V-0
PIN : PHOSPHOR BRONZE
- FINISH (PIN) :
UNDER-PLATING : 0,5 µm MIN. Ni
CONTACT AREA : 0,076 µm MIN. GOLD
SOLDER AREA : 2,5µm MIN. Sn-Pb
- ④ TRUE POSITION IS A FREE GRID TO THE PIN PATTERN ITSELF.
- PRODUCT SPEC:110-263

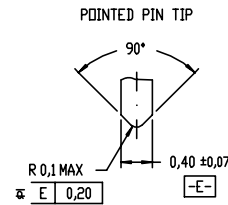
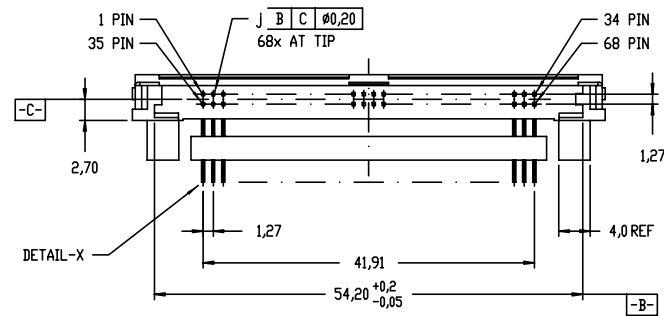
PIN NO.	36 , 67	1 , 17 , 34 35 , 51 , 68	OTHERS
DIM-L	3,50 ± 0,10	5,00 ± 0,10	4,25 ± 0,10

mat'l. code	surface ISO1302 ✓	tolerance ISO1101 ISO406	projection MM	product family PCMCIA
ltr ecn nodr	date	tolerances unless otherwise specified	scale N.T.S.	title 68P EJECTOR HEADER ASSEMBLY FOR PCMCIA/JEIDA TYPE-I/II/III :HEADER ASSEMBLY
F		angle 0°±2'	scale	dwg no 92856
		dr L T SOH	12/05/96	sheet 6 of 17 size A4
		enr L T SOH	12/05/96	type Product Customer Drawing
		chr L T SOH	12/05/96	
		appd L T SOH	12/05/96	
sheet index	revision sheet			

PRODUCT NO.	MOUNTING STYLE	COLOR	SOLDER-TAIL STYLE	STAND-OFF	MOUNTING SUPPORT	BOARD LOCATOR
92856-020	TOP-MOUNT	BLACK	THRU-HOLE, R/A	5 mm	NO	NO



SECTION A-A (SCALE 3 : 1)



DETAIL-X (SCALE 15 : 1)

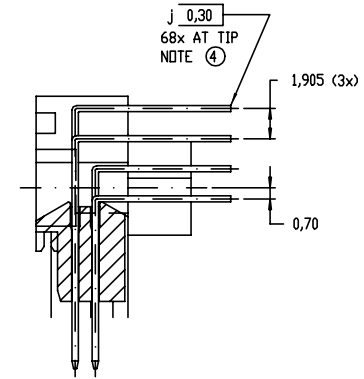
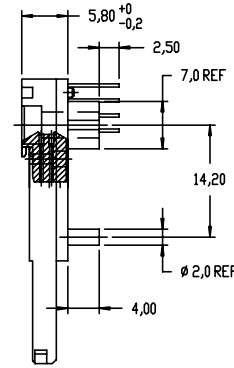
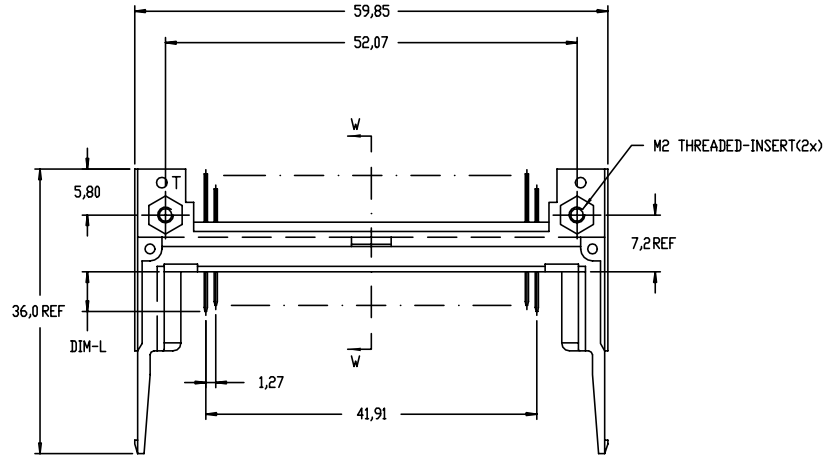
NOTES :

- SEE TA-946 FOR PCB LAYOUT.
- MATERIAL :
PLASTIC : HIGH TEMPERATURE THERMOPLASTIC UL94V-0
PIN : PHOSPHOR BRONZE
- FINISH (PIN) :
UNDER-PLATING : 0,5 µm MIN. Ni
CONTACT AREA : 0,076 µm MIN. GOLD
SOLDER AREA : 2,5µm MIN. Sn-Pb
- TRUE POSITION IS A FREE GRID TO THE PIN PATTERN ITSELF.
- PRODUCT SPEC:110-263

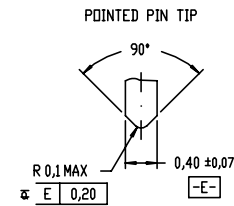
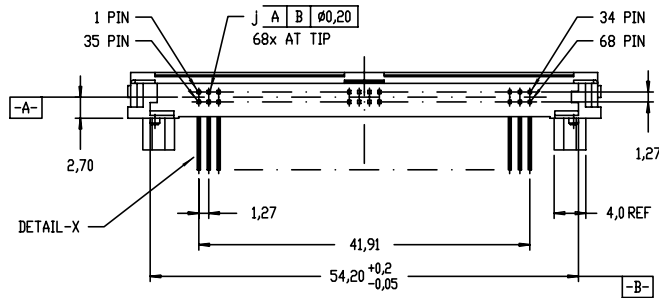
PIN NO.	36 , 67	1 , 17 , 34 35 , 51 , 68	OTHERS
DIM-L	3,50 ± 0,10	5,00 ± 0,10	4,25 ± 0,10

mat'l. code	surface ISO1302	tolerance ISO1101 ISO406	projection MM	product family PCMCIA
l trech nodr date	tolerances unless otherwise specified		MM	68P EJECTOR HEADER ASSEMBLY
F	angle 0°±2'	±0.3	scale N.T.S.	FOR PCMCIA/JEIDA TYPE-I/II/III :HEADER ASSEMBLY
	dr L T SOH	12/05/96		dwg no 92856
	enr L T SOH	12/05/96		sheet 7 of 17 size A4
	chr L T SOH	12/05/96		
	appd L T SOH	12/05/96		type Product Customer Drawing
sheet index	revision sheet			

PRODUCT NO.	MOUNTING STYLE	COLOR	SOLDER-TAIL STYLE	STAND-OFF	MOUNTING SUPPORT	BOARD LOCATOR
92856-010	TOP-MOUNT	BLACK	THRU-HOLE, R/A	4 mm	4 mm	NO



SECTION A-A (SCALE 3 : 1)



DETAIL-X (SCALE 15 : 1)

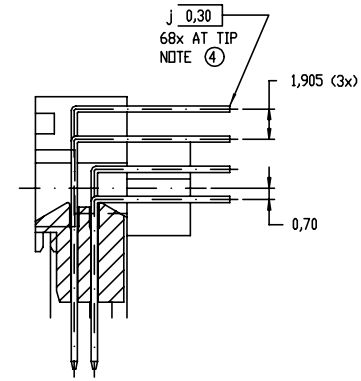
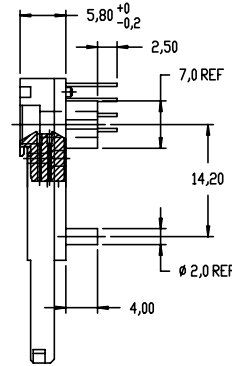
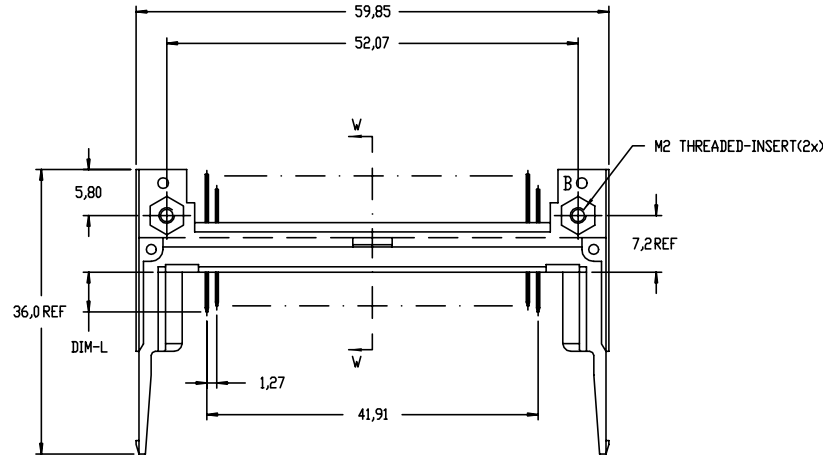
NOTES :

- SEE TA-946 FOR PCB LAYOUT.
- MATERIAL :
PLASTIC : HIGH TEMPERATURE THERMOPLASTIC UL94V-0
PIN : PHOSPHOR BRONZE
- FINISH (PIN) :
UNDER-PLATING : 0,5 µm MIN. NI
CONTACT AREA : 0,076 µm MIN. GOLD
SOLDER AREA : 2,5µm MIN. Sn-Pb
- ④ TRUE POSITION IS A FREE GRID TO THE PIN PATTERN ITSELF.
- PRODUCT SPEC110-263

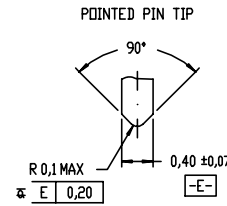
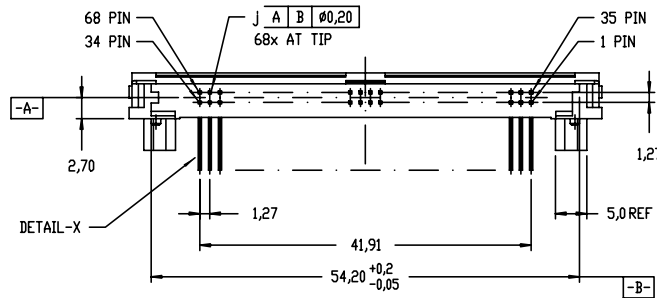
PIN NO.	36 , 67	1 , 17 , 34 35 , 51 , 68	OTHERS
DIM-L	3,50 ± 0,10	5,00 ± 0,10	4,25 ± 0,10

mat'l. code	surface ISO1302 ✓	tolerance ISO1101 ISO406	projection MM	product family PCMCIA
l trechn nodr	date	tolerances unless otherwise specified	scale N.T.S.	title 68P EJECTOR HEADER ASSEMBLY FOR PCMCIA/JEIDA TYPE-I/II/III :HEADER ASSEMBLY
F		angle 0°±2'	scale N.T.S.	dwg no 92856
		dr L T SOH 12/05/96		sheet 8 of 17 size A4
		engr L T SOH 12/05/96		
		chr L T SOH 12/05/96		
		appd L T SOH 12/05/96		
sheet index	revision sheet			type Product Customer Drawing

PRODUCT NO.	MOUNTING STYLE	COLOR	SOLDER-TAIL STYLE	STAND-OFF	MOUNTING SUPPORT	BOARD LOCATOR
92856-510	BOTTOM-MOUNT	NATURAL	THRU-HOLE, R/A	4 mm	4 mm	NO



SECTION A-A (SCALE 3 : 1)



DETAIL-X (SCALE 15 : 1)

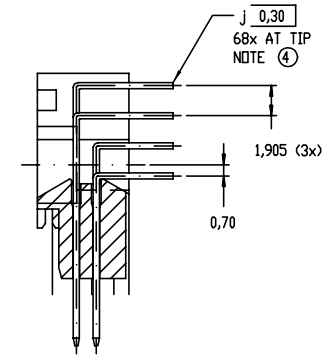
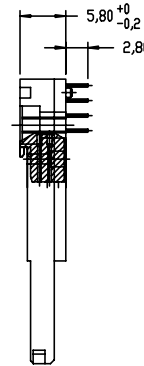
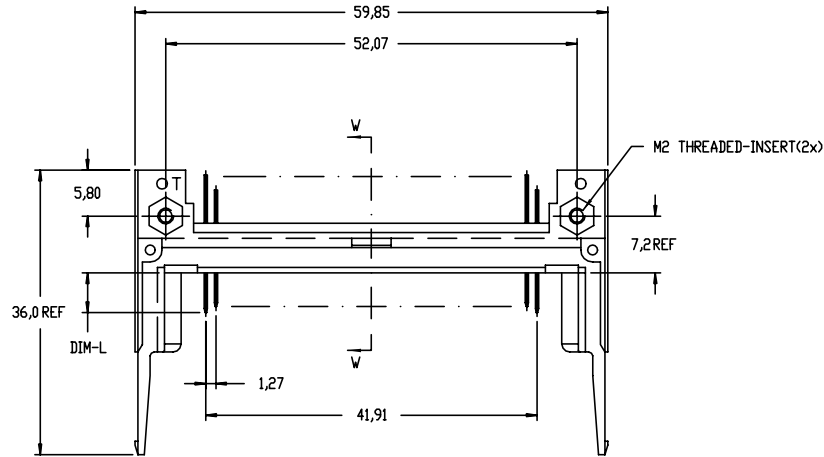
NOTES :

- SEE TA-946 FOR PCB LAYOUT.
- MATERIAL :
PLASTIC : HIGH TEMPERATURE THERMOPLASTIC UL94V-0
PIN : PHOSPHOR BRONZE
- FINISH (PIN) :
UNDER-PLATING : 0,5 µm MIN. NI
CONTACT AREA : 0,076 µm MIN. GOLD
SOLDER AREA : 2,5µm MIN. Sn-Pb
- TRUE POSITION IS A FREE GRID TO THE PIN PATTERN ITSELF.
- PRODUCT SPEC:110-263

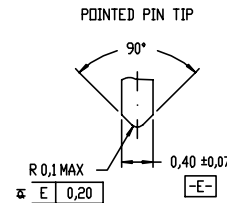
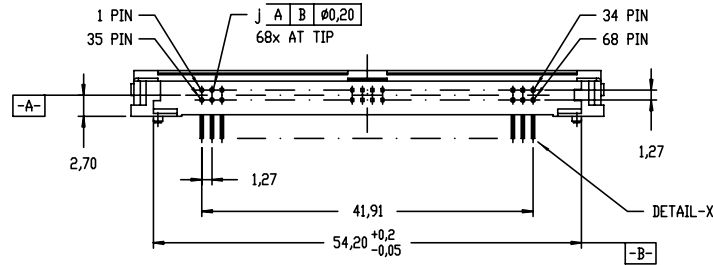
PIN NO.	36 , 67	1 , 17 , 34 35 , 51 , 68	OTHERS
DIM-L	3,50 ± 0,10	5,00 ± 0,10	4,25 ± 0,10

mat'l. code	surface ISO1302 ✓	tolerance ISO1101 ISO406	projection MM	product family PCMCIA
l'tecn nodr	date	tolerances unless otherwise specified	scale N.T.S.	title 68P EJECTOR HEADER ASSEMBLY FOR PCMCIA/JEIDA TYPE-I/II/III :HEADER ASSEMBLY
F		angle 0°±2'	scale N.T.S.	dwg no 92856
		dr L T SOH	12/05/96	sheet 9 of 17
		enr L T SOH	12/05/96	size A4
		chr L T SOH	12/05/96	type Product Customer Drawing
		appd L T SOH	12/05/96	
sheet index	revision sheet			

PRODUCT NO.	MOUNTING STYLE	COLOR	SOLDER-TAIL STYLE	STAND-OFF	MOUNTING SUPPORT	BOARD LOCATOR
92856-000	TOP-MOUNT	BLACK	THRU-HOLE, R/A	NO	NO	NO



SECTION W-W (SCALE 3 : 1)



DETAIL-X (SCALE 15 : 1)

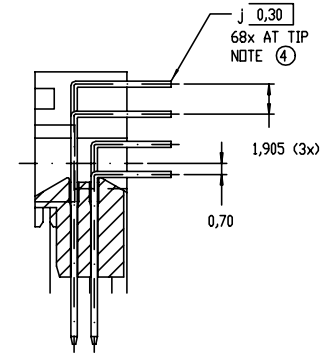
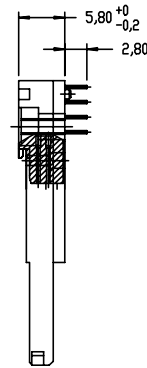
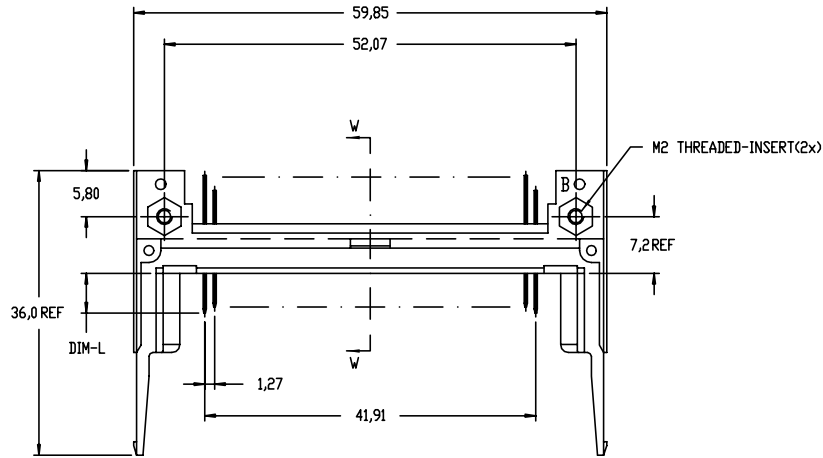
NOTES :

- SEE TA-946 FOR PCB LAYOUT.
- MATERIAL :
PLASTIC : HIGH TEMPERATURE THERMOPLASTIC UL94V-0
PIN : PHOSPHOR BRONZE
- FINISH (PIN) :
UNDER-PLATING : 0,5 µm MIN. Ni
CONTACT AREA : 0,076 µm MIN. GOLD
SOLDER AREA : 2,5µm MIN. Sn-Pb
- TRUE POSITION IS A FREE GRID TO THE PIN PATTERN ITSELF.
- PRODUCT SPEC:110-263

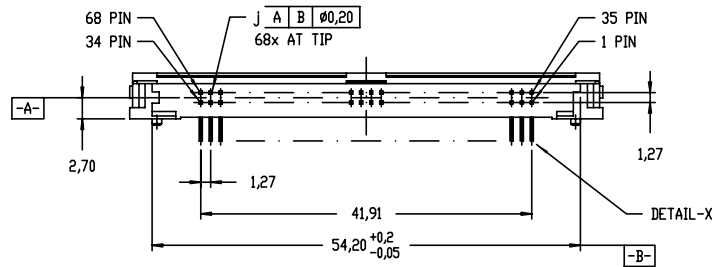
PIN NO.	36 , 67	1 , 17 , 34 35 , 51 , 68	OTHERS
DIM-L	3,50 ± 0,10	5,00 ± 0,10	4,25 ± 0,10

mat'l. code	surface ISO1302 ✓	tolerance ISO1101 ISO406	projection MM	product family PCMCIA
l trechn nodr date	tolerances unless otherwise specified		MM	title 68P EJECTOR HEADER ASSEMBLY FOR PCMCIA/JEIDA TYPE-I/II/III :HEADER ASSEMBLY
F	angle 0°±2'	±0,3	scale N.T.S.	dwg no 92856
	dr L T SOH	12/05/96		sheet 10 of 17 size A4
	engr L T SOH	12/05/96		
	chr L T SOH	12/05/96		
	appd L T SOH	12/05/96		
sheet index	revision sheet			type Product Customer Drawing

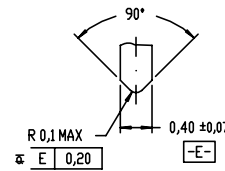
PRODUCT NO.	MOUNTING STYLE	COLOR	SOLDER-TAIL STYLE	STAND-OFF	MOUNTING SUPPORT	BOARD LOCATOR
92856-500	BOTTOM-MOUNT	NATURAL	THRU-HOLE, R/A	NO	NO	NO



SECTION W-W (SCALE 3 : 1)



POINTED PIN TIP



DETAIL-X (SCALE 15 : 1)

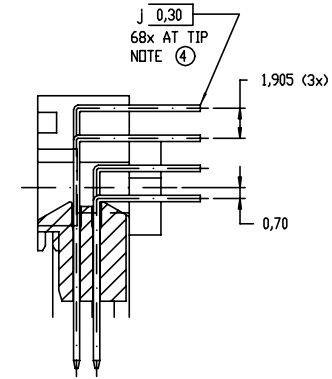
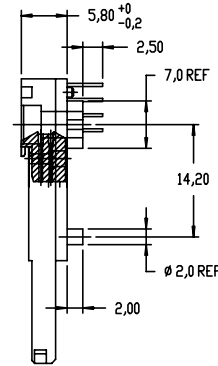
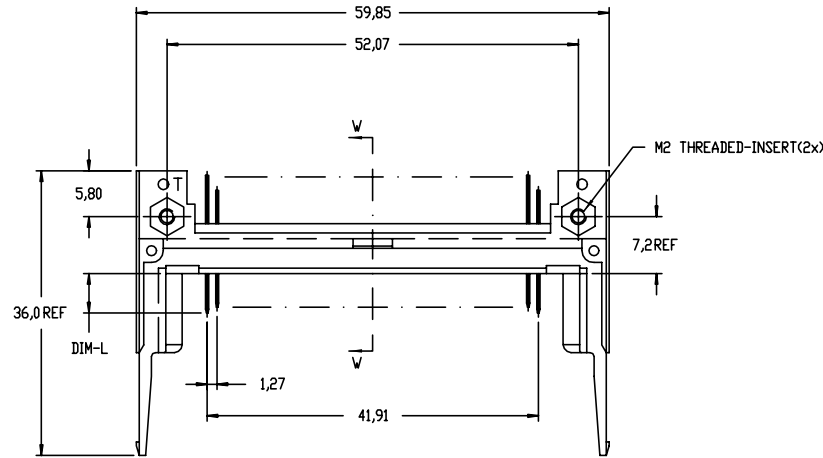
NOTES :

- SEE TA-946 FOR PCB LAYOUT.
- MATERIAL :
PLASTIC : HIGH TEMPERATURE THERMOPLASTIC UL94V-0
PIN : PHOSPHOR BRONZE
- FINISH (PIN) :
UNDER-PLATING : 0,5 µm MIN. NI
CONTACT AREA : 0,076 µm MIN. GOLD
SOLDER AREA : 2,5µm MIN. Sn-Pb
- TRUE POSITION IS A FREE GRID TO THE PIN PATTERN ITSELF.
- PRODUCT SPEC:110-263

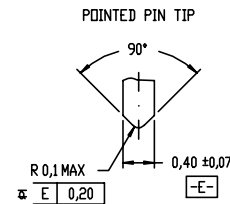
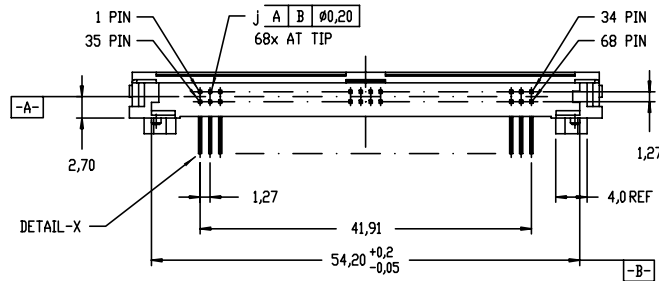
PIN NO.	36 , 67	1 , 17 , 34 35 , 51 , 68	OTHERS
DIM-L	3,50 ± 0,10	5,00 ± 0,10	4,25 ± 0,10

mat'l. code	surface ISO1302 ✓	tolerance ISO1101 ISO406	projection MM	product family PCMCIA
ltr ecn nodr	date	tolerances unless otherwise specified	scale N.T.S.	title 68P EJECTOR HEADER ASSEMBLY FOR PCMCIA/JEIDA TYPE-I/II/III :HEADER ASSEMBLY
F		angle 0°±2'		dwg no 92856
		dr L T SOH 12/05/96		sheet 11 of 17 size A4
		enr L T SOH 12/05/96		type Product Customer Drawing
		chr L T SOH 12/05/96		
		appd L T SOH 12/05/96		
sheet index	revision sheet			

PRODUCT NO.	MOUNTING STYLE	COLOR	SOLDER-TAIL STYLE	STAND-OFF	MOUNTING SUPPORT	BOARD LOCATOR
92856-040	TOP-MOUNT	BLACK	THRU-HOLE, R/A	2 mm	2 mm	NO



SECTION A-A (SCALE 3 : 1)



DETAIL-X (SCALE 15 : 1)

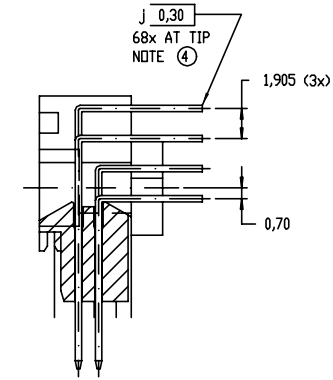
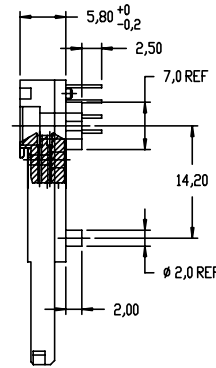
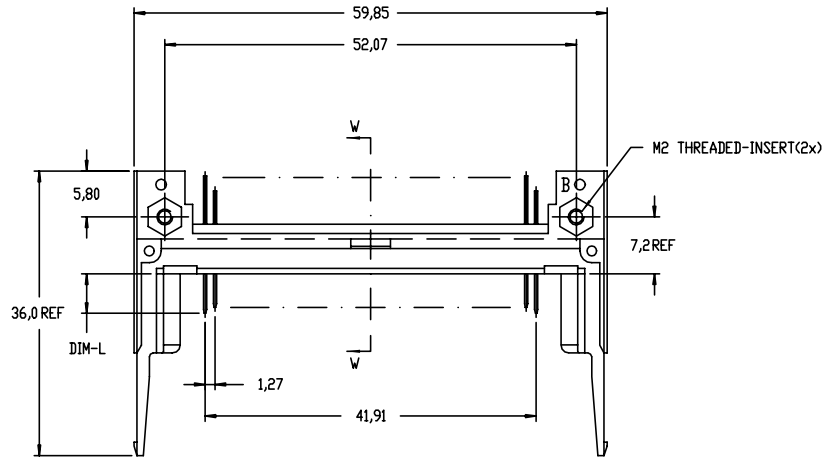
NOTES :

- SEE TA-946 FOR PCB LAYOUT.
- MATERIAL :
PLASTIC : HIGH TEMPERATURE THERMOPLASTIC UL94V-0
PIN : PHOSPHOR BRONZE
- FINISH (PIN) :
UNDER-PLATING : 0,5 µm MIN. NI
CONTACT AREA : 0,076 µm MIN. GOLD
SOLDER AREA : 2,5µm MIN. Sn-Pb
- TRUE POSITION IS A FREE GRID TO THE PIN PATTERN ITSELF.
- PRODUCT SPEC110-263

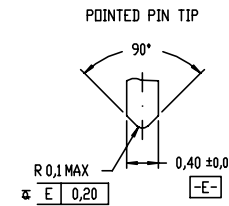
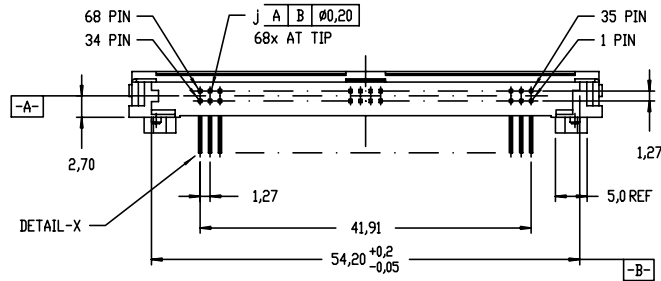
PIN NO.	36 , 67	1 , 17 , 34 35 , 51 , 68	OTHERS
DIM-L	3,50 ± 0,10	5,00 ± 0,10	4,25 ± 0,10

mat'l. code	surface ISO1302 ✓	tolerance ISO1101 ISO406	projection MM	product family PCMCIA
l trechn nodr	date	tolerances unless otherwise specified	scale N.T.S.	title 68P EJECTOR HEADER ASSEMBLY FOR PCMCIA/JEIDA TYPE-I/II/III :HEADER ASSEMBLY
F		angle 0°±2'	scale N.T.S.	dwg no 92856
	dr	L T SOH	12/05/96	sheet 12 of 17
	engr	L T SOH	12/05/96	size A4
	chr	L T SOH	12/05/96	
	appd	L T SOH	12/05/96	
sheet index	revision sheet			type Product Customer Drawing

PRODUCT NO.	MOUNTING STYLE	COLOR	SOLDER-TAIL STYLE	STAND-OFF	MOUNTING SUPPORT	BOARD LOCATOR
92856-540	BOTTOM-MOUNT	NATURAL	THRU-HOLE, R/A	2 mm	2 mm	NO



SECTION A-A (SCALE 3 : 1)



DETAIL-X (SCALE 15 : 1)

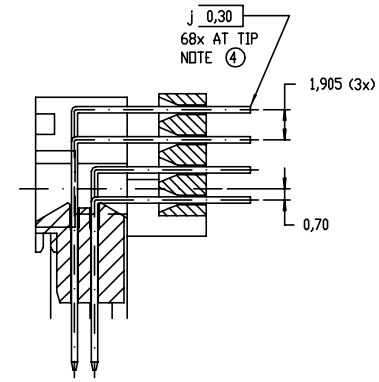
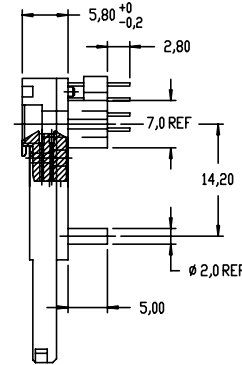
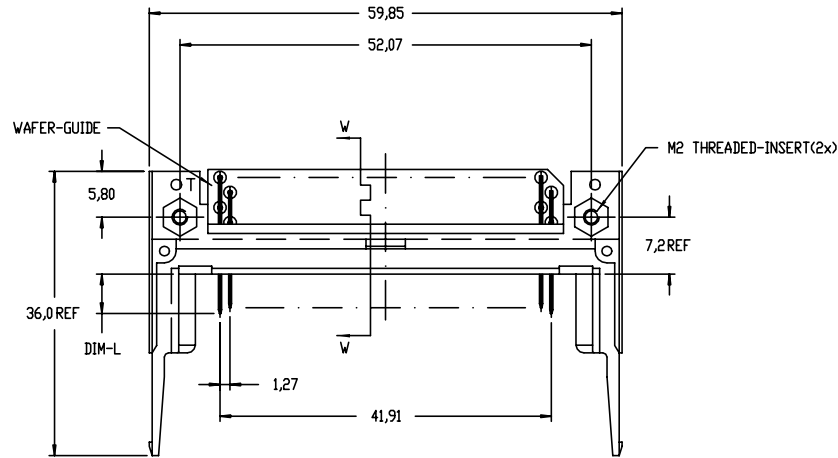
NOTES :

- SEE TA-946 FOR PCB LAYOUT.
- MATERIAL :
PLASTIC : HIGH TEMPERATURE THERMOPLASTIC UL94V-0
PIN : PHOSPHOR BRONZE
- FINISH (PIN) :
UNDER-PLATING : 0,5 µm MIN. NI
CONTACT AREA : 0,076 µm MIN. GOLD
SOLDER AREA : 2,5µm MIN. Sn-Pb
- TRUE POSITION IS A FREE GRID TO THE PIN PATTERN ITSELF.
- PRODUCT SPEC:110-263

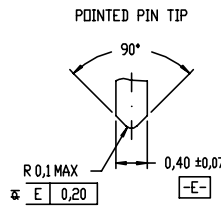
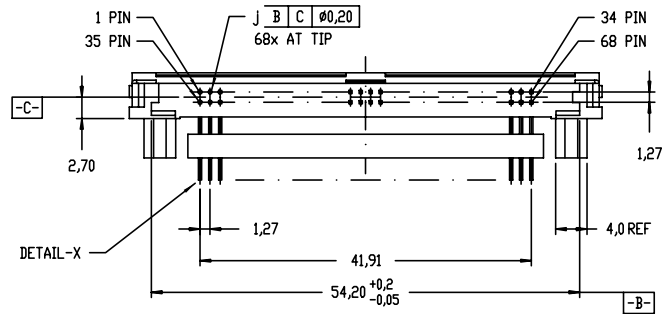
PIN NO.	36 , 67	1 , 17 , 34 35 , 51 , 68	OTHERS
DIM-L	3,50 ± 0,10	5,00 ± 0,10	4,25 ± 0,10

mat'l. code	surface ISO1302 ✓	tolerance ISO1101 ISO406	projection MM	product family PCMCIA
l'tecn nodr	date	tolerances unless otherwise specified	scale N.T.S.	title 68P EJECTOR HEADER ASSEMBLY FOR PCMCIA/JEIDA TYPE-I/II/III :HEADER ASSEMBLY
F		angle 0°±2'	scale N.T.S.	dwg no 92856
	dr	L T SOH	12/05/96	sheet 13 of 17
	enr	L T SOH	12/05/96	size A4
	chr	L T SOH	12/05/96	type Product Customer Drawing
	appd	L T SOH	12/05/96	
sheet index	revision sheet			

PRODUCT NO.	MOUNTING STYLE	COLOR	SOLDER-TAIL STYLE	STAND-OFF	MOUNTING SUPPORT	BOARD LOCATOR
92856-020	TOP-MOUNT	BLACK	THRU-HOLE, R/A	5 mm	5 mm	NO



SECTION A-A (SCALE 3 : 1)



DETAIL-X (SCALE 15 : 1)

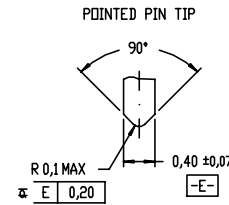
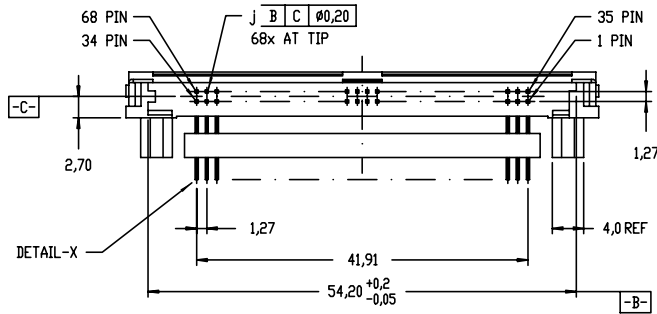
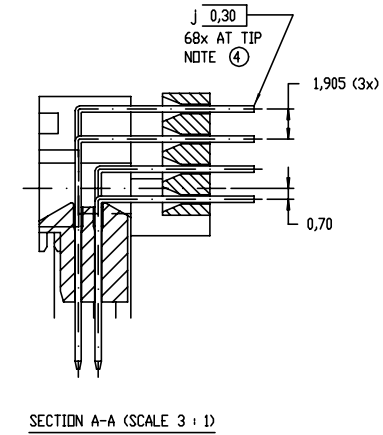
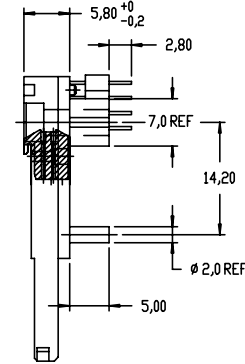
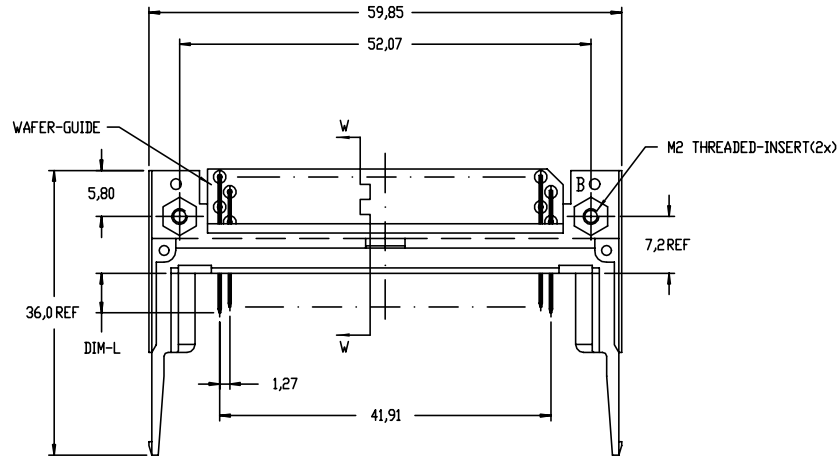
NOTES :

- SEE TA-946 FOR PCB LAYOUT.
- MATERIAL :
PLASTIC : HIGH TEMPERATURE THERMOPLASTIC UL94V-0
PIN : PHOSPHOR BRONZE
- FINISH (PIN) :
UNDER-PLATING : 0.5 µm MIN. NI
CONTACT AREA : 0.076 µm MIN. GOLD
SOLDER AREA : 2.5µm MIN. Sn-Pb
- TRUE POSITION IS A FREE GRID TO THE PIN PATTERN ITSELF.
- PRODUCT SPEC:110-263

mat'l. code	surface	tolerance	projection	product family
	ISO1302	ISO1101 ISO406		PCMCIA
ltr ecn nodr date	tolerances unless otherwise specified			title
F	angle	±0.3	MM	68P EJECTOR HEADER ASSEMBLY
	0°±2'		scale N.T.S.	FOR PCMCIA/JEIDA TYPE-I/II/III :HEADER ASSEMBLY
dr	L T SOH	12/05/96		dwg no
engr	L T SOH	12/05/96		sheet 14 of 17
chr	L T SOH	12/05/96		size
appd	L T SOH	12/05/96		A4
sheet index	revision sheet			type Product Customer Drawing

PIN NO.	36 , 67	1 , 17 , 34 35 , 51 , 68	OTHERS
DIM-L	3,50 ± 0,10	5,00 ± 0,10	4,25 ± 0,10

PRODUCT NO.	MOUNTING STYLE	COLOR	SOLDER-TAIL STYLE	STAND-OFF	MOUNTING SUPPORT	BOARD LOCATOR
92856-520	BOTTOM-MOUNT	NATURAL	THRU-HOLE, R/A	5 mm	5 mm	NO



DETAIL-X (SCALE 15 : 1)

NOTES :

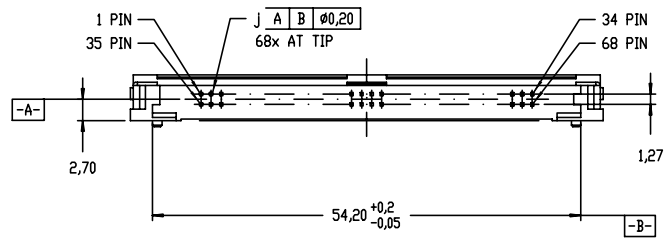
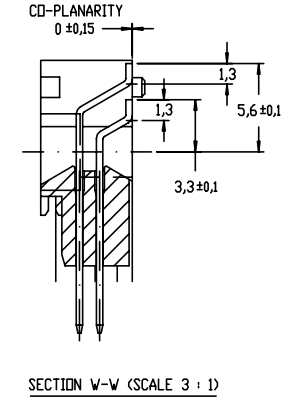
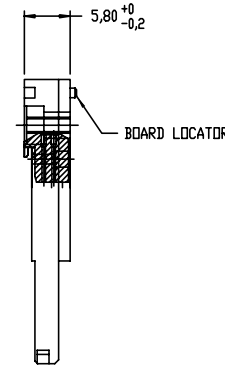
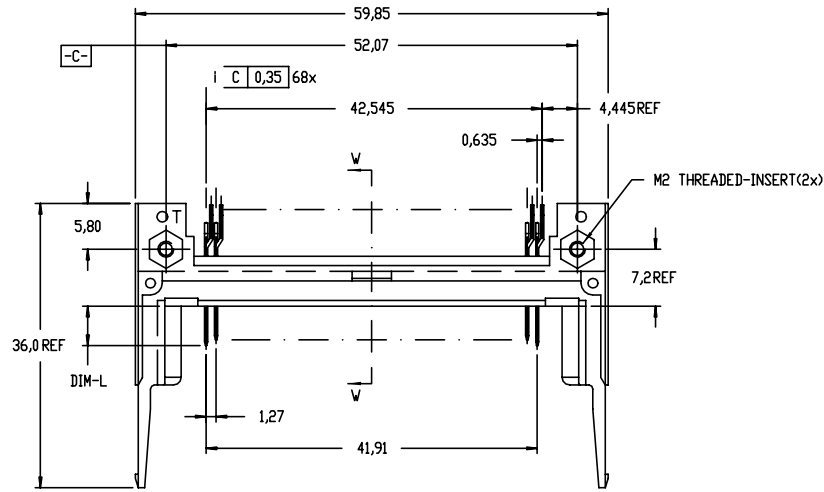
- SEE TA-946 FOR PCB LAYOUT.
- MATERIAL :
PLASTIC : HIGH TEMPERATURE THERMOPLASTIC UL94V-0
PIN : PHOSPHOR BRONZE
- FINISH (PIN) :
UNDER-PLATING : 0.5 µm MIN. Ni
CONTACT AREA : 0.076 µm MIN. GOLD
SOLDER AREA : 2.5µm MIN. Sn-Pb
- TRUE POSITION IS A FREE GRID TO THE PIN PATTERN ITSELF.
- PRODUCT SPEC110-263

PIN NO.	36 , 67	1 , 17 , 34 35 , 51 , 68	OTHERS
DIM-L	3,50 ± 0,10	5,00 ± 0,10	4,25 ± 0,10

mat'l. code	surface ISO1302 ✓	tolerance ISO1101 ISO406	projection MM	product family PCMCIA
l trechn nodr	date	tolerances unless otherwise specified	scale N.T.S.	title 68P EJECTOR HEADER ASSEMBLY FOR PCMCIA/JEIDA TYPE-I/II/III :HEADER ASSEMBLY
F		angle 0°±2'	scale	dwg no 92856
	dr	L T SOH	12/05/96	sheet 15 of 17
	enr	L T SOH	12/05/96	size A4
	chr	L T SOH	12/05/96	type Product Customer Drawing
	appd	L T SOH	12/05/96	
sheet index	revision sheet			



PRODUCT NO.	MOUNTING STYLE	COLOR	SOLDER-TAIL STYLE	STAND-OFF	MOUNTING SUPPORT	BOARD LOCATOR
92856-001	TOP-MOUNT	BLACK	SMT, STAGGERED (DOUBLE-ROW)	NO	NO	YES



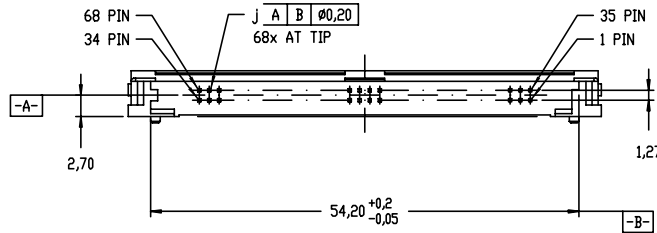
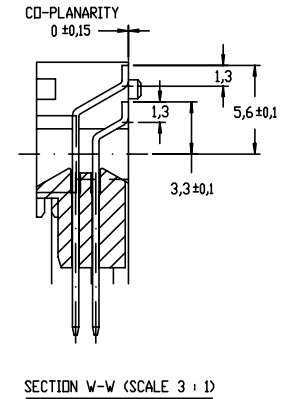
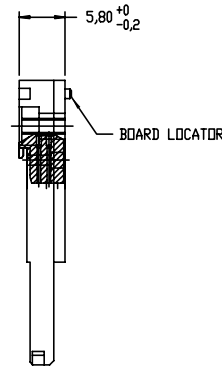
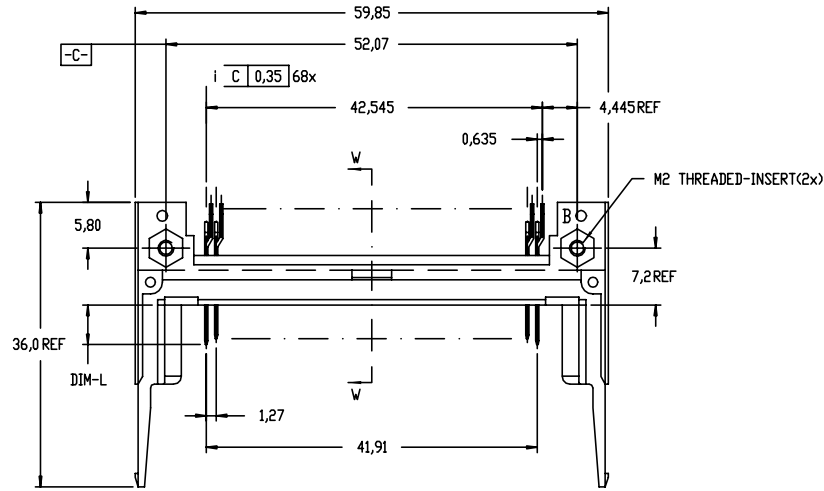
NOTES :

- SEE TA-946 FOR PCB LAYOUT.
- MATERIAL :
PLASTIC : HIGH TEMPERATURE THERMOPLASTIC UL94V-0
PIN : PHOSPHOR BRONZE
- FINISH (PIN) :
UNDER-PLATING : 0.5 µm MIN. NI
CONTACT AREA : 0.076 µm MIN. GOLD
SOLDER AREA : 2.5µm MIN. Sn-Pb
- PRODUCT SPEC:110-263

PIN NO.	36 , 67	1 , 17 , 34 35 , 51 , 68	OTHERS
DIM-L	3,50 ± 0,10	5,00 ± 0,10	4,25 ± 0,10

mat'l. code	surface ISO1302 ✓	tolerance ISO1101 ISO406	projection MM	product family PCMCIA
l trechn nodr date	tolerances unless otherwise specified		scale N.T.S.	title 68P EJECTOR HEADER ASSEMBLY FOR PCMCIA/JEIDA TYPE-I/II/III :HEADER ASSEMBLY
F	angle 0°±2'	±0.3	MM	dwg no 92856
	dr L T SOH	12/05/96	FCI	sheet 16 of 17 size A4
	engr L T SOH	12/05/96		type Product Customer Drawing
	chr L T SOH	12/05/96		
	appd L T SOH	12/05/96		
sheet index	revision sheet			

PRODUCT NO.	MOUNTING STYLE	COLOR	SOLDER-TAIL STYLE	STAND-OFF	MOUNTING SUPPORT	BOARD LOCATOR
92856-501	BOTTOM-MOUNT	NATURAL	SMT, STAGGERED (DOUBLE-ROW)	NO	NO	YES



NOTES :

- SEE TA-946 FOR PCB LAYOUT.
- MATERIAL :
PLASTIC : HIGH TEMPERATURE THERMOPLASTIC UL94V-0
PIN : PHOSPHOR BRONZE
- FINISH (PIN) :
UNDER-PLATING : 0.5 µm MIN. Ni
CONTACT AREA : 0.076 µm MIN. GOLD
SOLDER AREA : 2.5µm MIN. Sn-Pb
- PRODUCT SPEC:110-263

PIN NO.	36 , 67	1 , 17 , 34 35 , 51 , 68	OTHERS
DIM-L	3,50 ± 0,10	5,00 ± 0,10	4,25 ± 0,10

mat'l. code	surface ISO1302 ✓	tolerance ISO1101 ISO406	projection MM	product family PCMCIA
l trechn nodr	date	tolerances unless otherwise specified	scale N.T.S.	title 68P EJECTOR HEADER ASSEMBLY FOR PCMCIA/JEIDA TYPE-I/II/III :HEADER ASSEMBLY
F		angle 0°±2'	scale	dwg no 92856
		dr L T SOH	12/05/96	sheet 17 of 17
		enr L T SOH	12/05/96	size A4
		chr L T SOH	12/05/96	
		appd L T SOH	12/05/96	
sheet index	revision sheet			type Product Customer Drawing