

DESCRIPTION: ABOVE PCB, DECK AND PUSH ROD LOCATION ARE AS VIEW BY USER.

PRODUCT NO. 71299-XXXX	PUSH-ROD LOCATION	STAND-OFF HEIGHT	Ⓐ HEADER ASSY 71249-XXXX OR 61519-XXXX	Ⓑ MECHANISM ASSY 72336-XXXX	Ⓒ MATING RECEPTACLE	MOUNTING STYLE TO PCB AND PUSH-ROD SIDE
000CALF	RIGHT	0.0	0000MLF	72336-000CA	100 POSITION (2X50) 0.8mm RECEPTACLE PART NO. 73277-101000 OR 73277-101402LF PURCHASE SEPARATELY	
020CALF	RIGHT	2.2	0022MLF	72336-022CA		
040CALF	RIGHT	4.3	0043MLF	72336-043CA		
050CALF	RIGHT	5.0	0050MLF	72336-050CA		
050FALF ②	RIGHT	5.0	0050MLF	72336-050FA		
100CALF	LEFT	0.0	0000MLF	72336-100CA		
120CALF	LEFT	2.2	0022MLF	72336-122CA		
140CALF	LEFT	4.3	0043MLF	72336-143CA		
150CALF	LEFT	5.0	0050MLF	72336-150CA		
151CALF	LEFT	5.0	0050MLF	72336-151CA		
005CALF	RIGHT	0.0	0500MLF	72336-000CA		
025CALF	RIGHT	0.0	0522MLF	72336-000CA		
045CALF	RIGHT	0.0	0543MLF	72336-000CA		
055CALF	RIGHT	0.0	0550MLF	72336-000CA		
105CALF	LEFT	0.0	0500MLF	72336-100CA		
125CALF	LEFT	0.0	0522MLF	72336-100CA		
145CALF	LEFT	0.0	0543MLF	72336-100CA		
155CALF	LEFT	0.0	0550MLF	72336-100CA		
156CALF	LEFT	0.0	0550MLF	72336-101CA		

ORDERING INFORMATION

ORDER:

- EJECT HEADER ASSY (71299-XXXX/XXXXLF)
- MATING RECEPTACLE (73277-101000/101402LF)

NOTE:

- SEE 71240 FOR DOUBLE-DECK APPLICATIONS.
- PUSH BUTTON LENGTH IS 21mm FOR 71299-050FA & 71299-050FALF(LEAD-FREE TYPE)

mat'l. code	surface ISO 1302	tolerance ISO 406 ISO 1101	projection 1:1	product family
ltr	ecn	no	dr	date
tolerances unless otherwise specified				
S	angles	linear	.XX±.13	
	±2'		.XXX±.051	
dr	R.GRAPE	7/3/96	scale 1:1	
engr	D.BRANN	7/3/96	MM	
chr	D.BRANN	7/3/96	dwg no 71299	
appd	D.BRANN	7/3/96	sheet 2 of 1 size A4	
sheet index			revision sheet	type CUSTOMER Drawing

FCI CONFIDENTIAL

FCI
FCIconnect.com

This document is the property of and embodies CONFIDENTIAL and PROPRIETARY information of FCI. No part of this information shown on this document may be used in any way or disclosed to others without the written consent of FCI.
Copyright FCI.

DESCRIPTION: BELOW PCB, DECK AND PUSH ROD LOCATION ARE AS VIEWED BY USER

PRODUCT NO. 71299-XXXXX	PUSH-ROD LOCATION	STAND-OFF HEIGHT	(A) HEADER ASSY 71249-XXXX	(B) MECHANISM ASSY 72337-XXXX	(C) MATING RECEPTACLE	MOUNTING STYLE TO PCB AND PUSH-ROD SIDE
520CA	RIGHT	2.2	5022	72337-122CA	100 POSITION (2X50) 0.8mm RECEPTACLE PART NO. 73277-101000 73277-101402LF	
540CA	RIGHT	4.3	5043	72337-143CA		
550CA	RIGHT	5.0	5050	72337-150CA		
520CALF	RIGHT	2.2	5022LF	72337-122CA		
540CALF	RIGHT	4.3	5043LF	72337-143CA		
550CALF	RIGHT	5.0	5050LF	72337-150CA		
620CA	LEFT	2.2	5022	72337-022CA		
640CA	LEFT	4.3	5043	72337-043CA		
650CA	LEFT	5.0	5050	72337-050CA		
620CALF	LEFT	2.2	5022LF	72337-022CA		
640CALF	LEFT	4.3	5043LF	72337-043CA		
650CALF	LEFT	5.0	5050LF	72337-050CA		
525CA	RIGHT	0.0	5522	72337-100CA		
545CA	RIGHT	0.0	5543	72337-100CA		
555CA	RIGHT	0.0	5550	72337-100CA		
① 555DA	RIGHT	0.0	5550	72337-100DA		
525CALF	RIGHT	0.0	5522LF	72337-100CA		
545CALF	RIGHT	0.0	5543LF	72337-100CA		
555CALF	RIGHT	0.0	5550LF	72337-100CA		
① 555DALF	RIGHT	0.0	5550LF	72337-100DA		
625CA	LEFT	0.0	5522	72337-000CA		
645CA	LEFT	0.0	5543	72337-000CA		
655CA	LEFT	0.0	5550	72337-000CA		
625CALF	LEFT	0.0	5522LF	72337-000CA		
645CALF	LEFT	0.0	5543LF	72337-000CA		
655CALF	LEFT	0.0	5550LF	72337-000CA		

ORDERING INFORMATION

ORDER:

- EJECT HEADER ASSY (71299-XXXXX/XXXXLF)
- MATING RECEPTACLE (73277-101000/101402LF)

NOTES:

- 555DA HAS 15.6mm PUSH BUTTON RETURN LENGTH INSTEAD OF 13.0mm.
- BELOW P.C.B., 0.0mm STAND-OFF IS NOT AVAILABLE.

mat'l. code		surface ISO 1302		tolerance ISO 406 ISO 1181		projection 1:1		product family	
l	tr	ec	n	o	dr	date	tolerances unless otherwise specified		title
S							angles	.X±.3	CARDBUS SINGLE DECK ASSY SMT TYPE 123
							linear	.XX±.13	
							±2'	.XXX±.051	
							dr	R.GRAPE 7/3/96	MM
							engr	D.BRANN 7/3/96	scale 1:1
							chr	D.BRANN 7/3/96	FCI
							appd	D.BRANN 7/3/96	dwg no 71299
sheet index		revision sheet						sheet 3 of 11 size A4	
								type CUSTOMER Drawing	

FCI CONFIDENTIAL



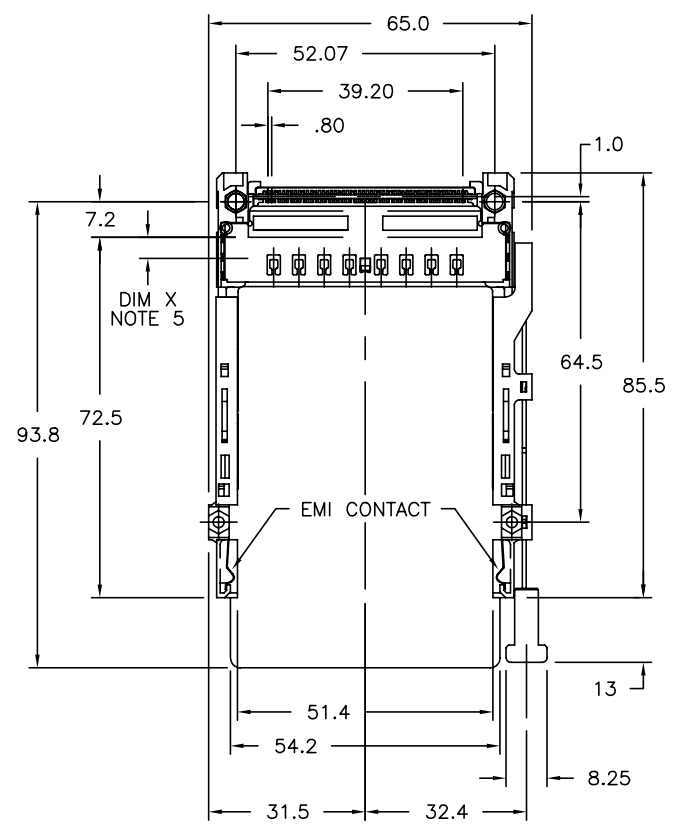
This document is the property of and embodies CONFIDENTIAL and PROPRIETARY information of FCI. No part of this information shown on this document may be used in any way or disclosed to others without the written consent of FCI. Copyright FCI.

FCI CONFIDENTIAL

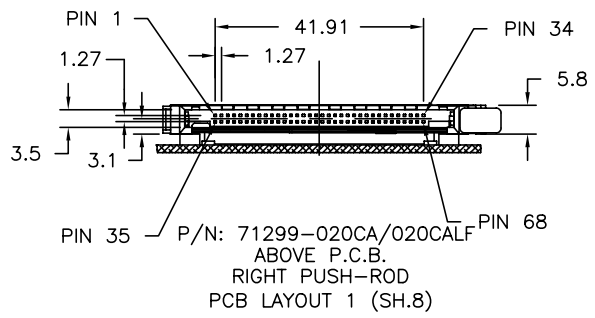
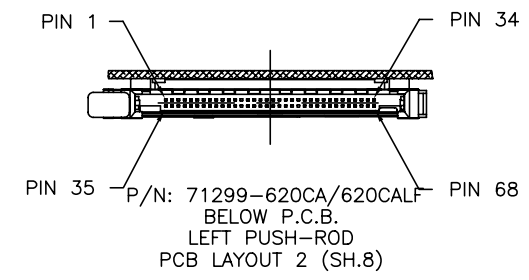
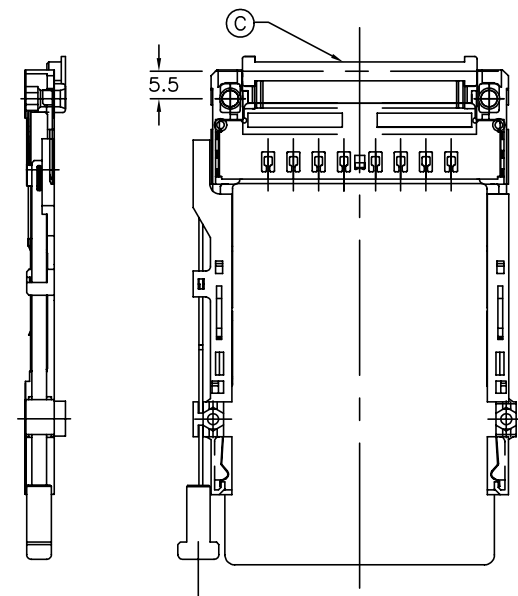
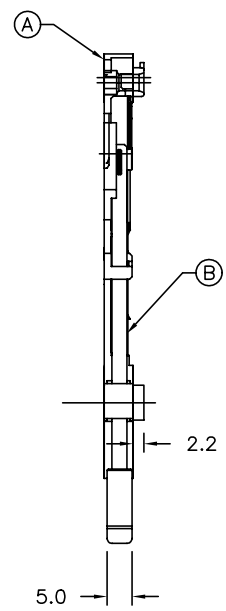
FCI
FCIconnect.com

This document is the property of and embodies CONFIDENTIAL and PROPRIETARY information of FCI. No part of this information shown on this document may be used in any way or disclosed to others without the written consent of FCI.
Copyright FCI.

PRODUCT NUMBER
71299-*****/****LF



MATING RECEPTACLE SHOWN FOR APPLICATION CLARITY ONLY MUST BE PURCHASED SEPARATELY

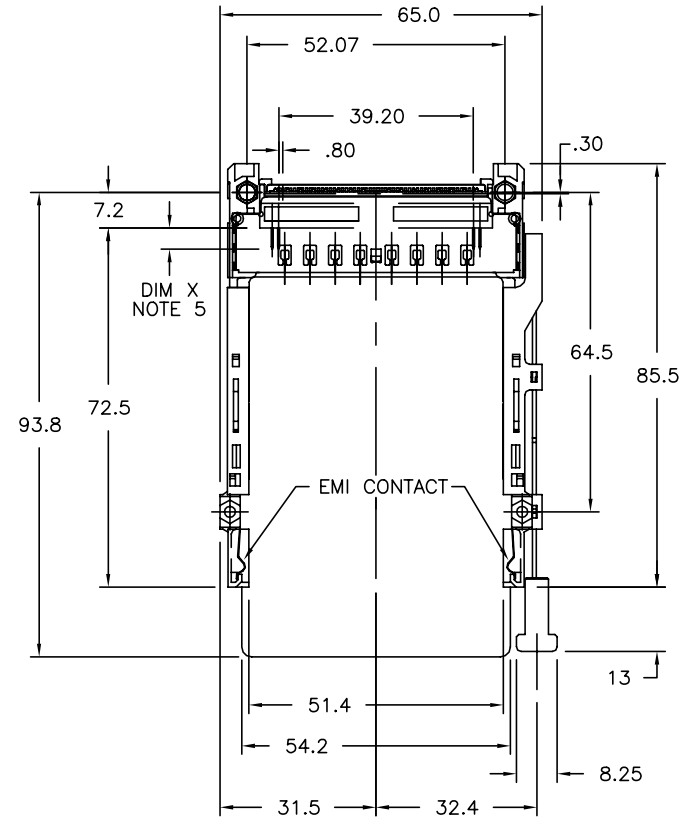


mat'l. code		surface	tolerance	projection	product family
		ISO 1302	ISO 406 ISO 1101	1:1	
l	tr	ec	n	o	r
date	tolerances unless otherwise specified				title
S		angles	.X±.3	MM	CARDBUS SINGLE DECK ASSY SMT TYPE 123
		linear	.XX±.13	←→	
		±2'	.XXX±.051	scale 1:1	
dr	R.GRAPE	7/3/96			
enr	D.BRANN	7/3/96			
chr	D.BRANN	7/3/96			
app	D.BRANN	7/3/96			
sheet	revision				
index	sheet				

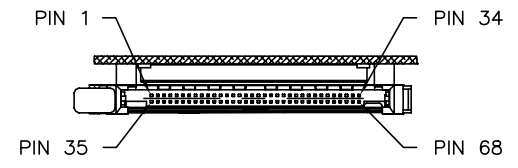
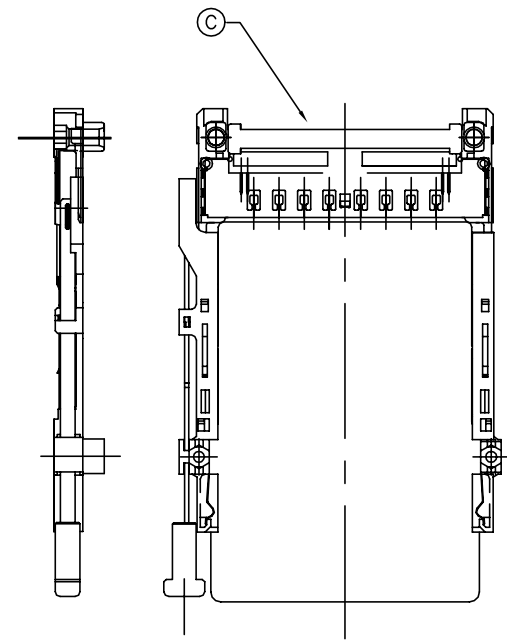
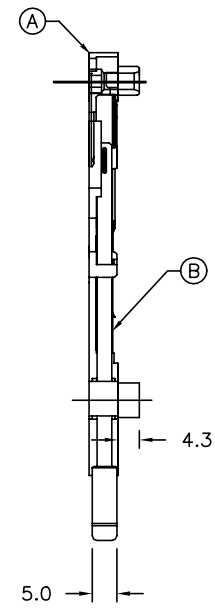
FCI CONFIDENTIAL

This document is the property of and embodies CONFIDENTIAL and PROPRIETARY information of FCI. No part of the information shown on this document may be used in any way or disclosed to others without the written consent of FCI. Copyright FCI.

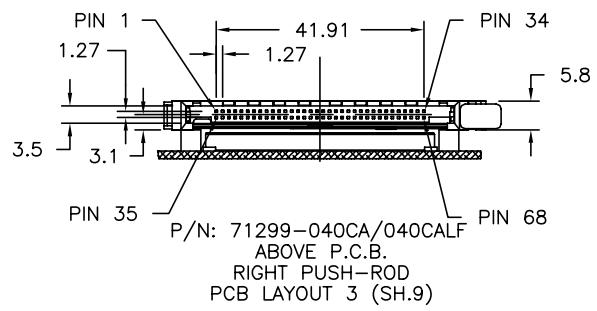
PRODUCT NUMBER
71299-*****/****_LF



MATING RECEPTACLE
SHOWN FOR APPLICATION
CLARITY ONLY
MUST BE PURCHASED
SEPARATELY



P/N: 71299-640CA/640CALF
BELOW P.C.B.
LEFT PUSH-ROD
PCB LAYOUT 4 (SH.9)



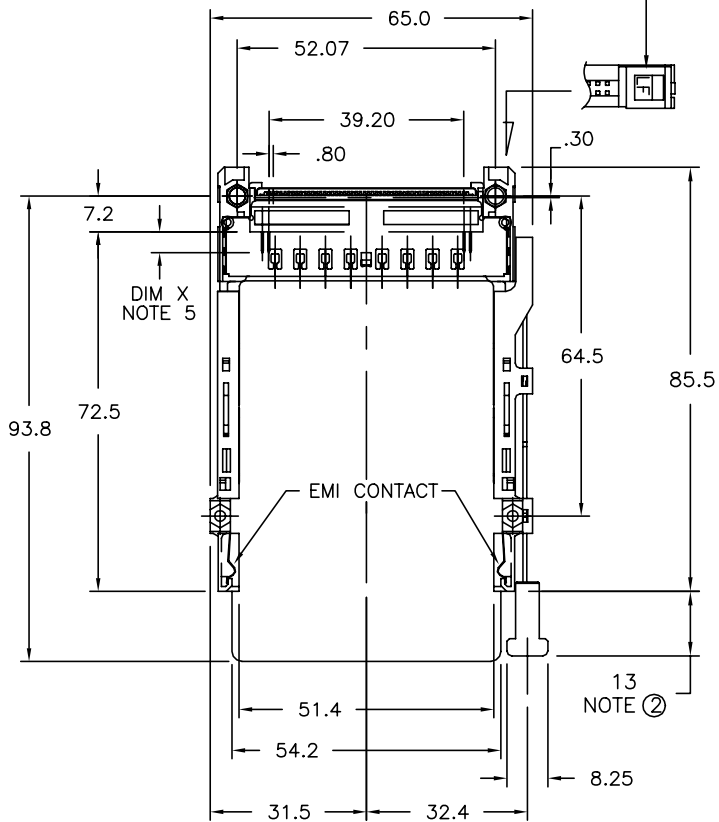
P/N: 71299-040CA/040CALF
ABOVE P.C.B.
RIGHT PUSH-ROD
PCB LAYOUT 3 (SH.9)

mat'l. code		surface	tolerance	projection	product family
		ISO 1302	ISO 406 ISO 1101		
l	tr	ec	n	o	dr
date		tolerances unless otherwise specified			title
		angles	.X±.3	MM	CARBUS SINGLE DECK ASSY SMT TYPE 123
		linear	.XX±.13	scale:1:1	
		±2'	.XXX±.051		
dr	R.GRAPE	7/3/96	dwg no		
en	D.BRANN	7/3/96	sheet 5 of 11 size		
chr	D.BRANN	7/3/96	71299 A4		
app	D.BRANN	7/3/96	type CUSTOMER Drawing		
sheet	revision				
index	sheet				

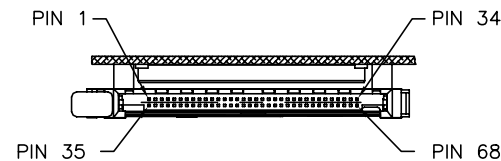
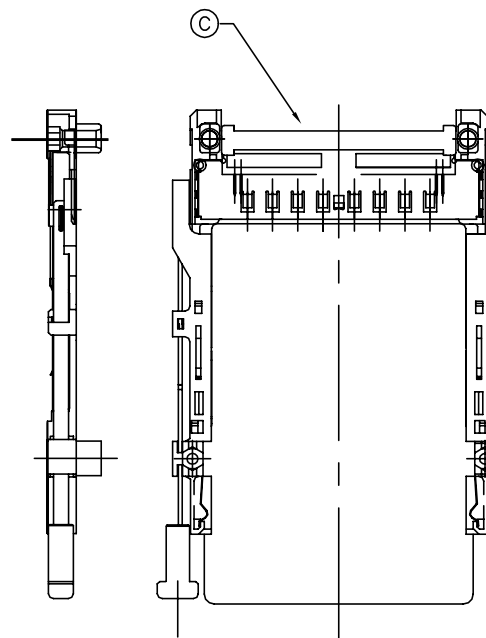
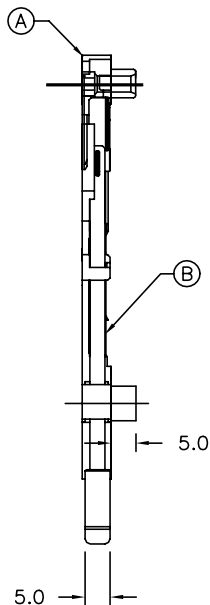
PRODUCT NUMBER
71299-****/****LF

FCI CONFIDENTIAL

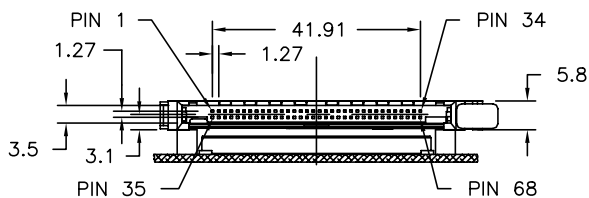
FOR LEAD-FREE TYPE ONLY(REF.)



MATING RECEPTACLE
SHOWN FOR APPLICATION
CLARITY ONLY
MUST BE PURCHASED
SEPARATELY



P/N: 71299-650CA
BELOW P.C.B.
LEFT PUSH-ROD
PCB LAYOUT 4 (SH.9)



P/N: 71299-050FA/-050FALF
(NOTE 2)

P/N: 71299-050CA/-050CALF
ABOVE P.C.B.
RIGHT PUSH-ROD
PCB LAYOUT 3 (SH.9)

mat'l. code		surface	tolerance	projection	product family
		ISO 1302	ISO 406 ISO 1101	1:1	1181
ltr ecn nodr date		tolerances unless otherwise specified			title
S		angles	.X±.3	linear	CARDBUS SINGLE DECK ASSY SMT TYPE 123
		±2'	.XX±.13	MM	
			.XXX±.051	scale:1:1	
		dr	R.GRAPE	7/3/96	dwg no
		enr	D.BRANN	7/3/96	sheet 6 of 1
		chr	D.BRANN	7/3/96	size
		appd	D.BRANN	7/3/96	A4
		type CUSTOMER			Drawing
sheet index	revision sheet				

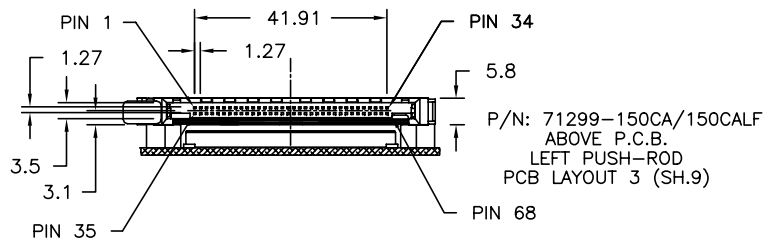
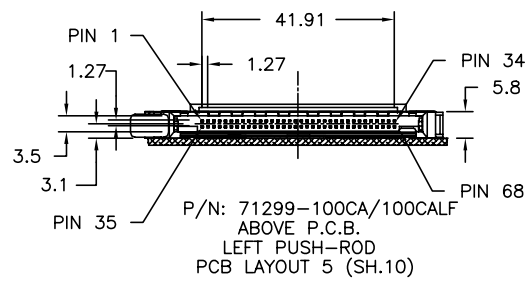
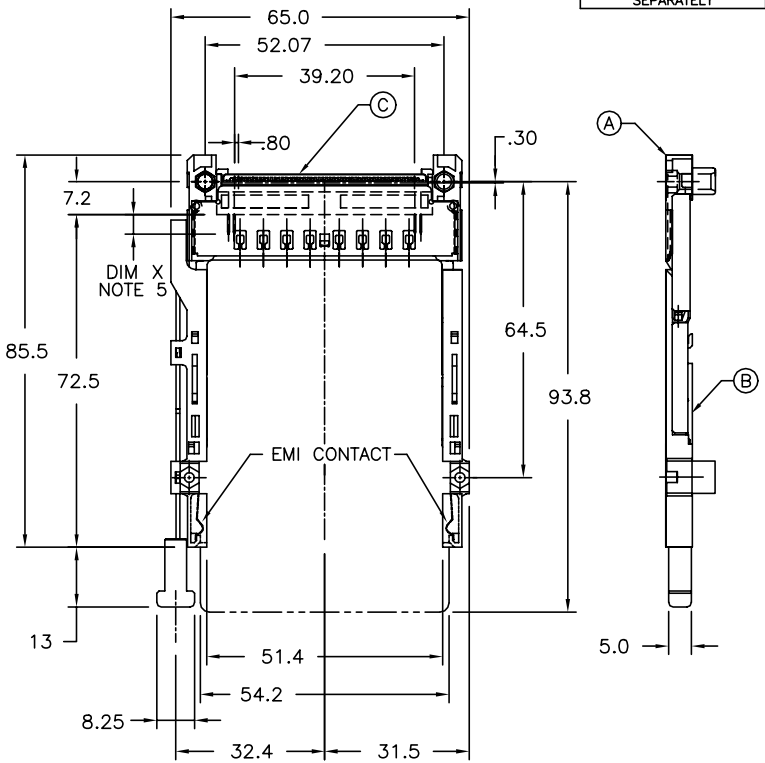
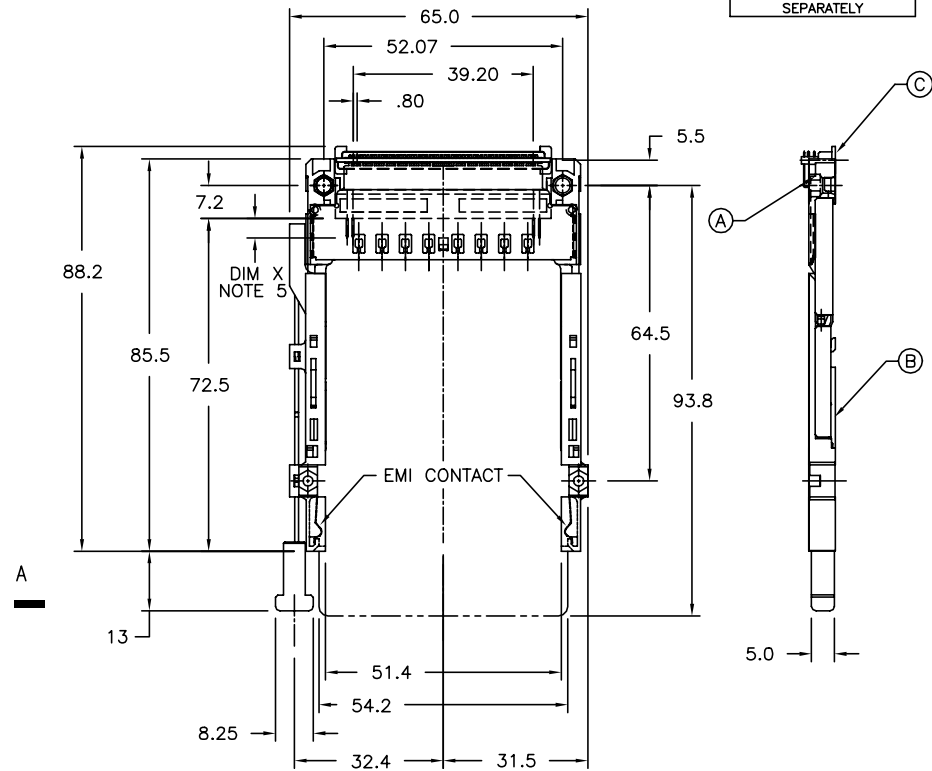
This document is the property of and embodies CONFIDENTIAL and PROPRIETARY information of FCI. No part of this information shown on this document may be used in any way or disclosed to others without the written consent of FCI. Copyright FCI.

FCI CONFIDENTIAL

PRODUCT NUMBER
71299-****/****LF

MATING RECEPTACLE
SHOWN FOR APPLICATION
CLARITY ONLY
MUST BE PURCHASED
SEPARATELY

MATING RECEPTACLE
SHOWN FOR APPLICATION
CLARITY ONLY
MUST BE PURCHASED
SEPARATELY

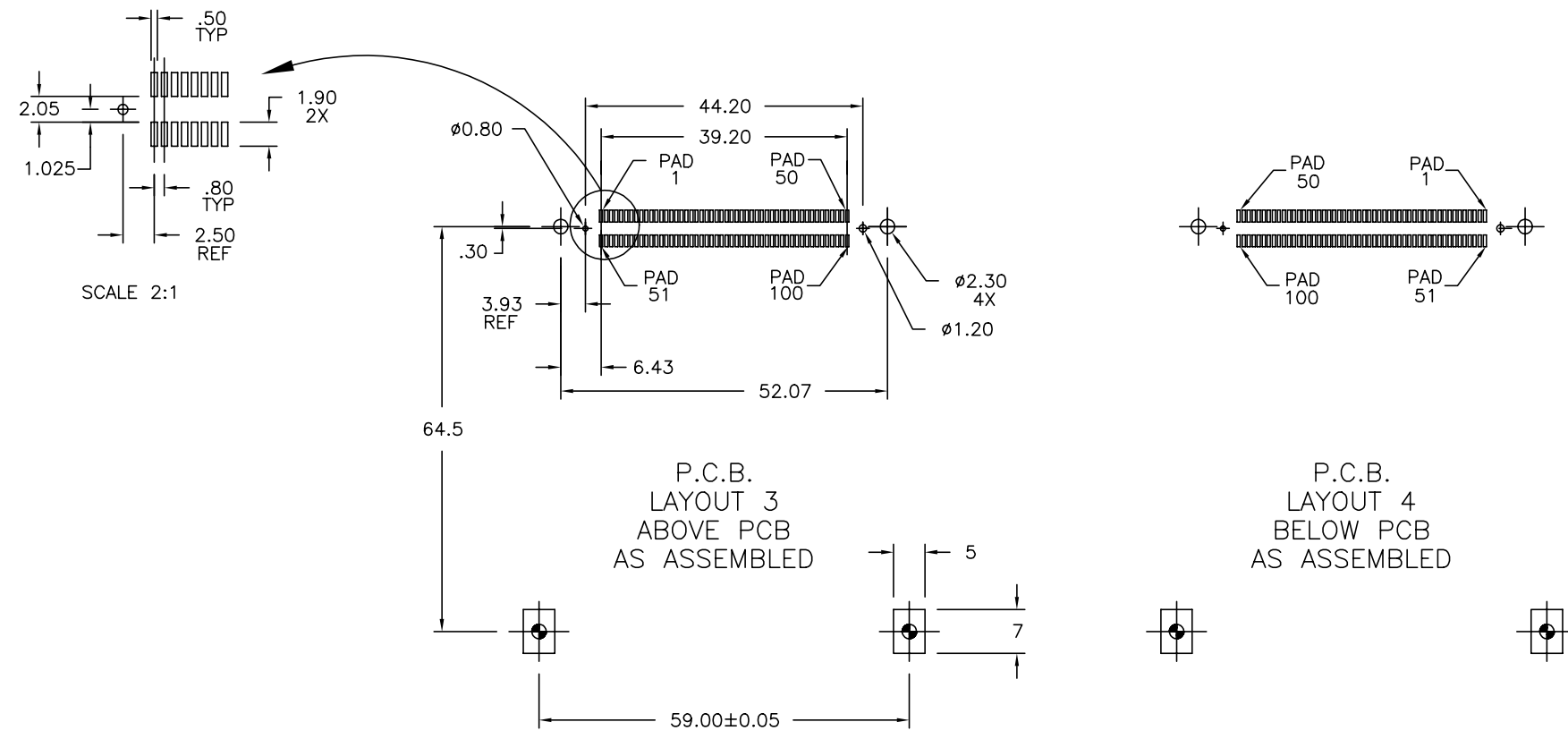


This document is the property of and embodies CONFIDENTIAL and PROPRIETARY information of FCI. No part of this information shown on this document may be used in any way or disclosed to others without the written consent of FCI. Copyright FCI.

mat'l. code	surface ISO 1302	tolerance ISO 406 ISO 1101	projection 1:1	product family
tr	ec	n	o	dr
date	tolerances unless otherwise specified			title
S	angles	linear	MM	CARDBUS SINGLE DECK ASSY SMT TYPE 123
	±2'	.X±.3 .XX±.13 .XXX±.051	scale:1:1	
dr	R.GRAPE	7/3/96	FCI	dwg no
enr	D.BRANN	7/3/96		71299
chr	D.BRANN	7/3/96		sheet 7 of 11
app	D.BRANN	7/3/96		size A4
sheet index		revision sheet	type CUSTOMER Drawing	

FCI CONFIDENTIAL

P.C.B. LAYOUT FOR 4.3 AND 5.0mm STANDOFFS

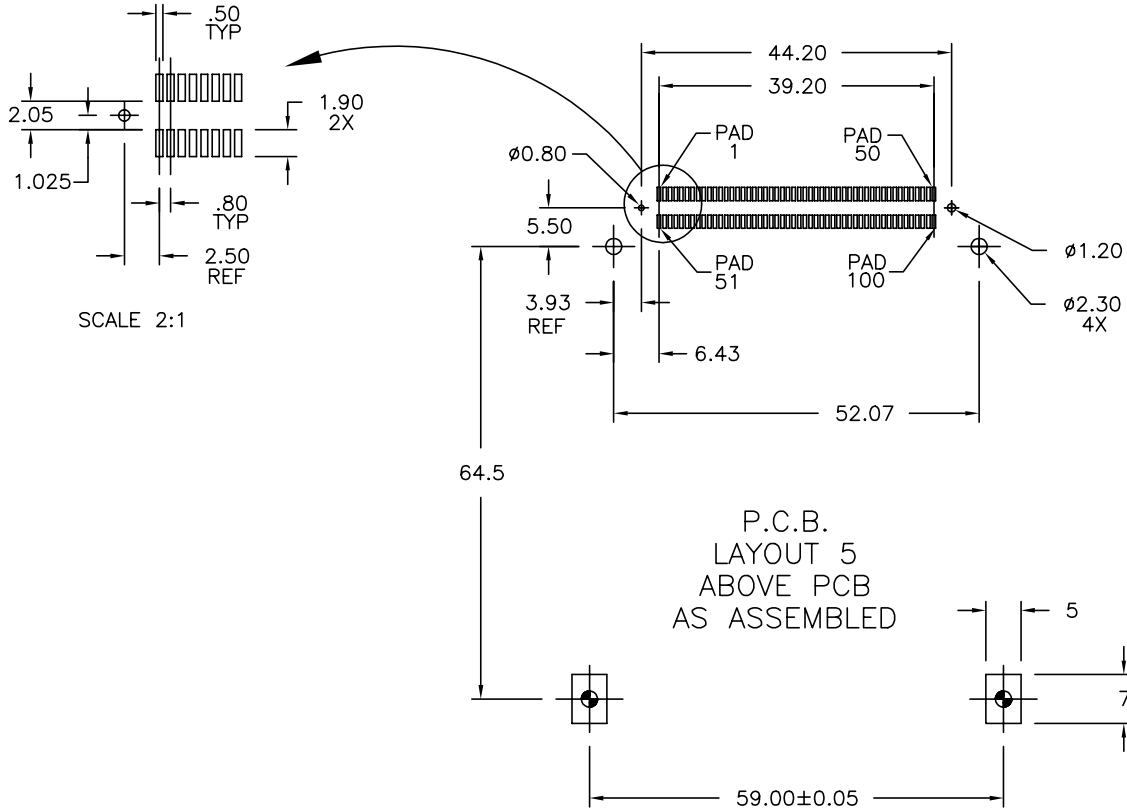


This document is the property of and embodies CONFIDENTIAL and PROPRIETARY information of FCI. No part of this information shown on this document may be used in any way or disclosed to others without the written consent of FCI. Copyright FCI.

mat'l. code		surface		tolerance		projection		product family	
		ISO 1302		ISO 406 ISO 1181		1:1		1181	
tr		ecn		no		dr		date	
S				tolerances unless otherwise specified		linear		title	
						MM		CARDBUS SINGLE DECK ASSY SMT TYPE 123	
				angles		.X±.3			
				±2'		.XX±.13			
						.XXX±.051		scale 1:1	
		dr		R.GRAPE		7/3/96		dwg no	
		engr		D.BRANN		7/3/96		sheet 9 of 11	
		chr		D.BRANN		7/3/96		71299	
		appd		D.BRANN		7/3/96		A4	
								type CUSTOMER Drawing	
sheet index		revision sheet							

FCI CONFIDENTIAL

P.C.B. LAYOUT FOR 0mm STANDOFF



This document is the property of and embodies CONFIDENTIAL and PROPRIETARY information of FCI. No part of this information shown on this document may be used in any way or disclosed to others without the written consent of FCI. Copyright FCI.

mat'l. code		surface		tolerance		projection		product family	
		ISO 1302		ISO 406 ISO 1101		1:1		CARDBUS SINGLE DECK	
tr		ecn		no		dr		date	
S		angles		linear		MM		title	
		±2°		.X±.3		scale 1:1		CARDBUS SINGLE DECK	
				.XX±.13				ASSY SMT TYPE 123	
				.XXX±.051				dwg no	
		dr		R.GRAPE		7/3/96		sheet #0 of 1 size	
		enr		D.BRANN		7/3/96		71299 A4	
		chr		D.BRANN		7/3/96		type CUSTOMER Drawing	
		appd		D.BRANN		7/3/96			
sheet		revision							
index		sheet							

FCI CONFIDENTIAL



This document is the property of and embodies CONFIDENTIAL and PROPRIETARY information of FCI. No part of this information shown on this document may be used in any way or disclosed to others without the written consent of FCI. Copyright FCI.

1			2			3			4			5			6		
HEADER PINOUT	TYPE	BTB 100 POS RECEPTACLE	HEADER PINOUT	TYPE	BTB 100 POS RECEPTACLE	SHIELD PINOUT	TYPE	BTB 100 POS RECEPTACLE	SHIELD PINOUT	TYPE	BTB 100 POS RECEPTACLE	SHIELD PINOUT	TYPE	BTB 100 POS RECEPTACLE	SHIELD PINOUT	TYPE	BTB 100 POS RECEPTACLE
1	GND	1	35	GND	51	1	GND	4 & 54	1	GND	4 & 54	1	GND	4 & 54	1	GND	4 & 54
2	SIG	2	36	DET	52	2	GND	7 & 57	2	GND	7 & 57	2	GND	7 & 57	2	GND	7 & 57
3	SIG	3	37	SIG	53	3	GND	10 & 60	3	GND	10 & 60	3	GND	10 & 60	3	GND	10 & 60
4	SIG	5	38	SIG	55	4	GND	13 & 63	4	GND	13 & 63	4	GND	13 & 63	4	GND	13 & 63
5	SIG	6	39	SIG	56	5	GND	16 & 66	5	GND	16 & 66	5	GND	16 & 66	5	GND	16 & 66
6	SIG	8	40	SIG	58	6	GND	19 & 69	6	GND	19 & 69	6	GND	19 & 69	6	GND	19 & 69
7	SIG	9	41	SIG	59	7	GND	22 & 72	7	GND	22 & 72	7	GND	22 & 72	7	GND	22 & 72
8	SIG	11	42	SIG	61	8	GND	25 & 75	8	GND	25 & 75	8	GND	25 & 75	8	GND	25 & 75
9	SIG	12	43	SIG	62	9	GND	26 & 76	9	GND	26 & 76	9	GND	26 & 76	9	GND	26 & 76
10	SIG	14	44	SIG	64	10	GND	29 & 79	10	GND	29 & 79	10	GND	29 & 79	10	GND	29 & 79
11	SIG	15	45	SIG	65	11	GND	32 & 82	11	GND	32 & 82	11	GND	32 & 82	11	GND	32 & 82
12	SIG	17	46	SIG	67	12	GND	35 & 85	12	GND	35 & 85	12	GND	35 & 85	12	GND	35 & 85
13	SIG	18	47	SIG	68	13	GND	38 & 88	13	GND	38 & 88	13	GND	38 & 88	13	GND	38 & 88
14	SIG	20	48	SIG	70	14	GND	41 & 91	14	GND	41 & 91	14	GND	41 & 91	14	GND	41 & 91
15	SIG	21	49	SIG	71	15	GND	44 & 94	15	GND	44 & 94	15	GND	44 & 94	15	GND	44 & 94
16	SIG	23	50	SIG	73	16	GND	47 & 97	16	GND	47 & 97	16	GND	47 & 97	16	GND	47 & 97
17	PWR	24	51	PWR	74												
18	SIG	27	52	SIG	77												
19	SIG	28	53	SIG	78												
20	SIG	30	54	SIG	80												
21	SIG	31	55	SIG	81												
22	SIG	33	56	SIG	83												
23	SIG	34	57	SIG	84												
24	SIG	36	58	SIG	86												
25	SIG	37	59	SIG	87												
26	SIG	39	60	SIG	89												
27	SIG	40	61	SIG	90												
28	SIG	42	62	SIG	92												
29	SIG	43	63	SIG	93												
30	SIG	45	64	SIG	95												
31	SIG	46	65	SIG	96												
32	SIG	48	66	SIG	98												
33	SIG	49	67	DET	99												
34	GND	50	68	GND	100												

- NOTES:
- 8mm MIN CARD EJECT.
 - EJECT TRAVEL: 9.5mm
 - MATERIAL:
 - 3.1 HEADER ASSY:
 - PLASTIC HOUSING: HIGH TEMPERATURE THERMOPLASTIC UL94V-0 BLACK - ABOVE PCB
 - HIGH TEMPERATURE THERMOPLASTIC UL94V-0 BLACK - BELOW PCB
 - PIN: PHOSPHOR BRONZE
 - PCB: FR4
 - 3.2 EJECT MECHANISM ASSY:
 - PLASTIC GUIDE: HIGH TEMPERATURE THERMOPLASTIC UL94V-0 BLACK
 - PLASTIC PUSH-ROD BUTTON: HIGH TEMPERATURE THERMOPLASTIC UL94V-0 BLACK
 - COVER PLATE, LINK ARM,
 - PUSH ROD: STAINLESS STEEL
 - EMI CONTACT: PHOSPHOR BRONZE
 - 3.3 .8 BTB RECEPTACLE: 73277-101000
 - PLASTIC: HIGH TEMPERATURE THERMOPLASTIC UL94V-0 BLACK
 - CONTACT: BeCu
 - FINISH (PIN)
 - UNDER PLATING: 0.5um MIN Ni
 - CONTACT AREA: 0.076 μm MIN. GOLD
 - SOLDER TAIL(TIN LEAD OPTION): 2.5umMIN Sn-Pb
 - SOLDER TAIL(LEAD FREE OPTION): 2.5umMIN PURE TIN
 - DIM "X"

4.25±0.1	3.5±0.1	5.0±0.1
OTHERS	36,67	1,17,34,35,51,68
 - RECOMMENDED SCREW TORQUE: 1.0 TO 1.5 MAX in-lbs. (1.2-1.7 cm-kgs).
RECOMMENDED HOLD-DOWN 2mm SCREWS (95121) AND HEX NUTS (92869-001).
 - GS-14-920 SPEC. SHOULD BE APPLIED LEAD FREE P/N.
 - IF LEAD FREE P/N.THE HOUSING WILL WITHSTAND EXPOSURE TO 260°C PEAK TEMPERATURE FOR 10 SECONDS IN A WAVE SOLDER APPLICATION WITH A 1.00MM MINIMUM THICK CIRCUIT BOARD.
 - IF LEAD FREE P/N.THE PRODUCT MEETS EUROPEAN UNION DIRECTIVES AND OTHER COUNTRY REGULATIONS AS DISCRIBLED IN GS-22-008
 - PRODUCT SPEC:110-263

mat'l. code		surface		tolerance		projection		product family	
		ISO 1302		ISO 406 ISO 1101		1101		CARDBUS SINGLE DECK ASSY SMT TYPE 123	
ltr		ecn		nadr		date		title	
								dwg no 71299 sheet 1 of 1 size A4	
								type CUSTOMER Drawing	
sheet index		revision sheet							