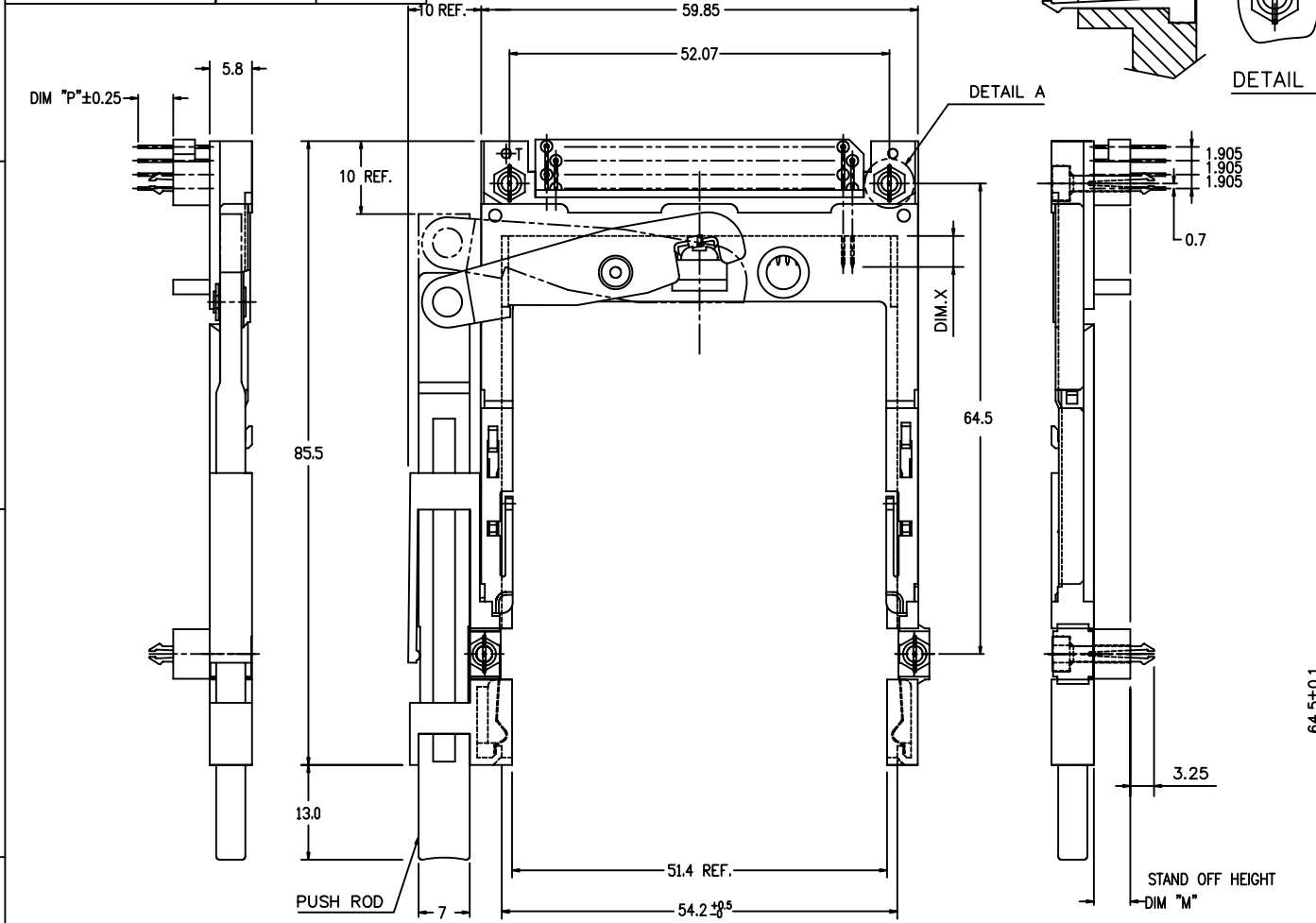


Tous droits strictement réservés. Reproduction ou communication à des tiers int
 propriété de c. BERG ELECTRONICS.
 Droits de reproduction BERG ELECTRONICS by

FCI

All rights strictly reserved. Reproduction or issue to third parties in any for
 pinclaver is not permitted without written authority from the proprietor.
 Copyright BERG ELECTRONICS by

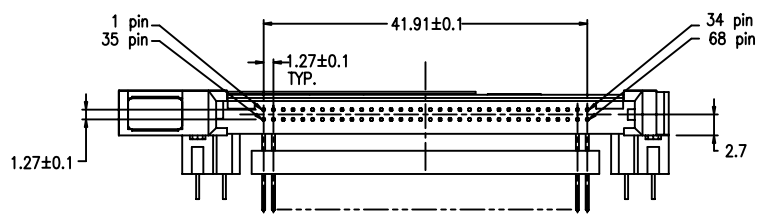
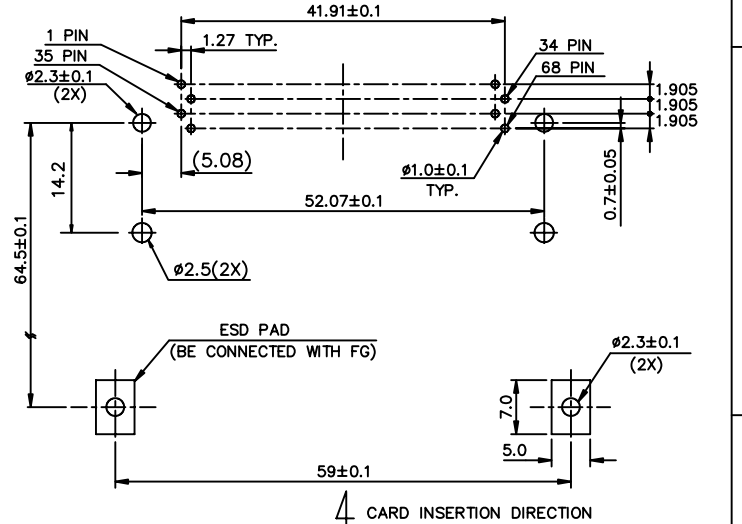
PRODUCT NO.	DIM "M"	DIM "P"
52581-130CAH	3	4.8
52581-150CAH	5	4.8
52581-130CAHLF	3	4.8
52581-150CAHLF	5	4.8



- NOTES:
- MATERIAL
 - HEADER ASS'Y:
 PLASTIC :HOUSING ...LCP UL94V-0 BLACK
 PIN :COPPER ALLOY
 - EJECT MECHANISM ASS'Y:
 PLASTIC :GUIDE: POLYPHTHARAMID, BLACK
 :PUSH ROD: POLYPHTHARAMID, BLACK
 PLATE :STAINLESS
 EMI CONTACT: PHOSPHOR BRONZE
 - FINISH (PIN)
 UNDER PLATING :0.5 um MIN. Ni
 CONTACT AREA :0.1 um MIN. GOLD OVER
 0.5 um MIN. Pd-Ni
 SOLDER TAIL : 2.5 um MIN. Sn-Pb
 : 2.5 um MIN. PURE Sn (FOR -*****LF)

DIM "X"	4.25±0.1	3.5±0.1	5.0±0.1
OTHERS	36,67	1,17,34,35,51,68	

- RETENTION FORCE HOLD DOWN VERSUS HEADER: 15N MIN.
- P.C.B. THICKNESS 1.6mm.
- IF LEAD FREE P/N THE HOUSING WILL WITHSTAND EXPOSURE TO 260°C PEAK TEMPERATURE FOR 10 SECONDS IN A WAVE SOLDER APPLICATION WITH A 1.00MM MINIMUM THICK CIRCUIT BOARD.
- IF LEAD FREE P/N THE PRODUCT MEETS EUROPEAN UNION DIRECTIVES AND OTHER COUNTRY REGULATIONS AS DESCRIBED IN GS-22-008
- LEAD FREE P/N PACKAGING MEETS GS-14-920 SPECIFICATION



mat'l code		tolerance unless otherwise specified		CUSTOMER COPY		FCI www.fciconnect.com		
rev.	ecn no.	dr	date	linear	±0.30	projection	title	
A	T00288	W L	09/21/00				SINGLE DECK,R/A EJECTOR	
B	T03-0326	W L	08/14/03				TYPE I/II/III	
C	N05-0135	W B	05/27/05	angles	± 2°			
		dr	WENDY CHEN	01/19/00	unit		product family	
		enr	LEIF SHEN	01/19/00	mm/inch		PM01A	
		chr	JOSEPH HSIA	01/19/00	scale		code	
		appd	LELAND WANG	01/19/00	1:1	A3	52581	
sheet	revision	C						sheet
index	sheet	1						1 of 1