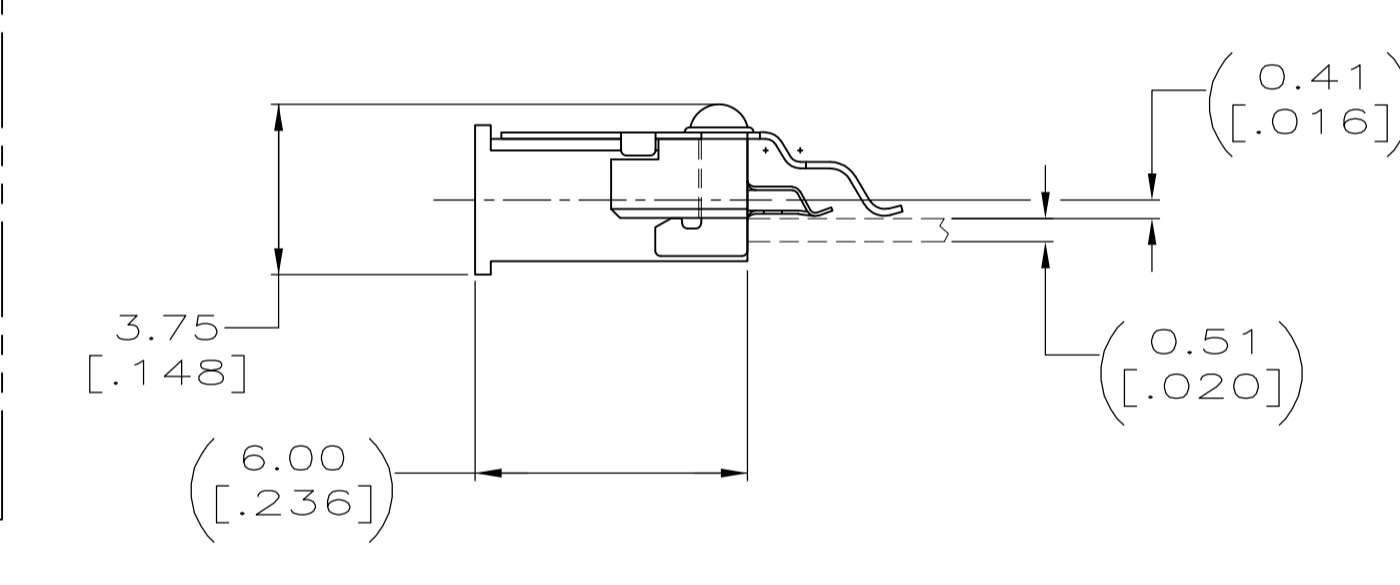
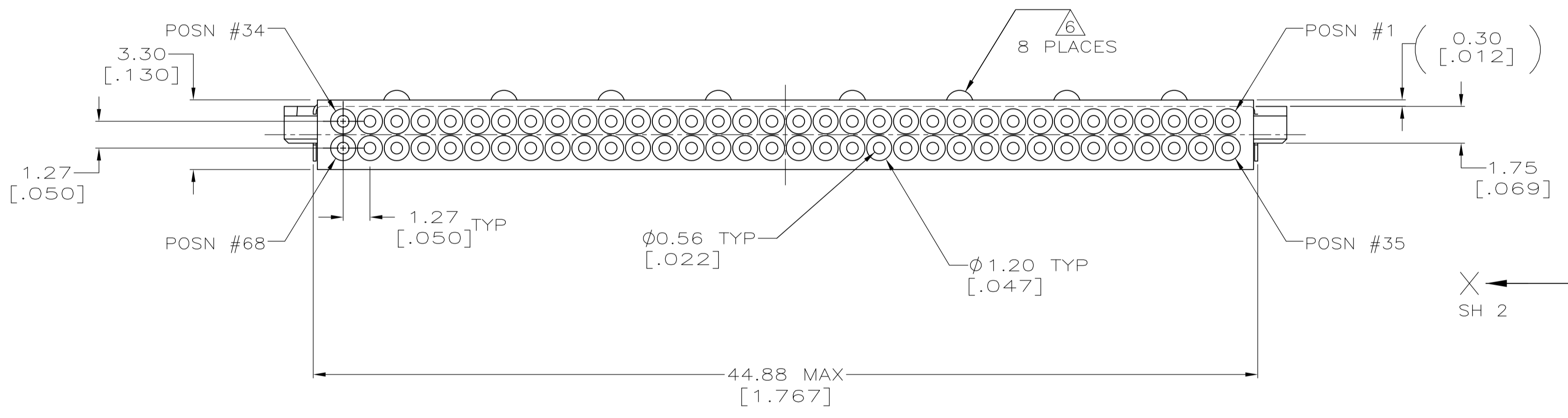
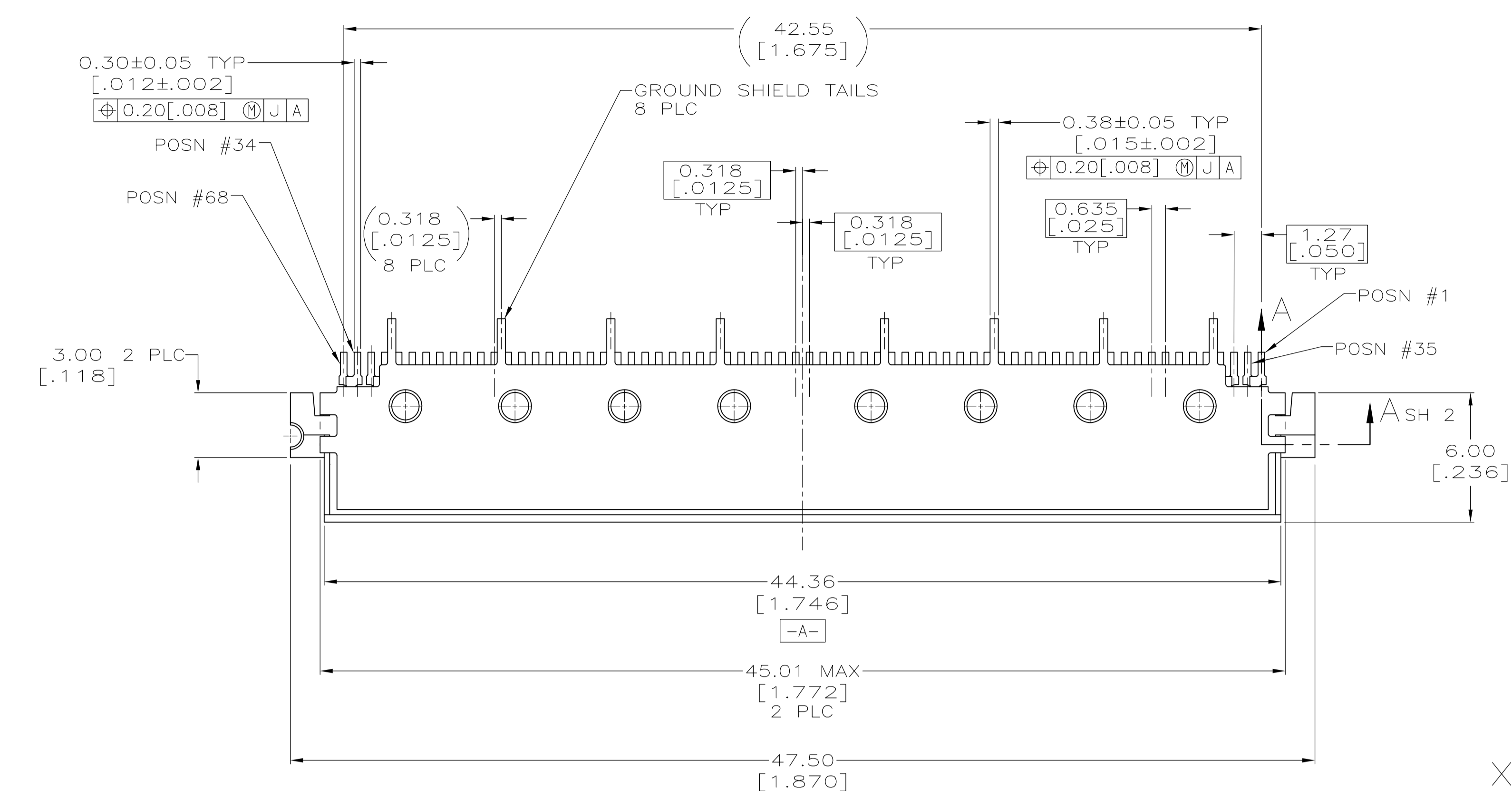
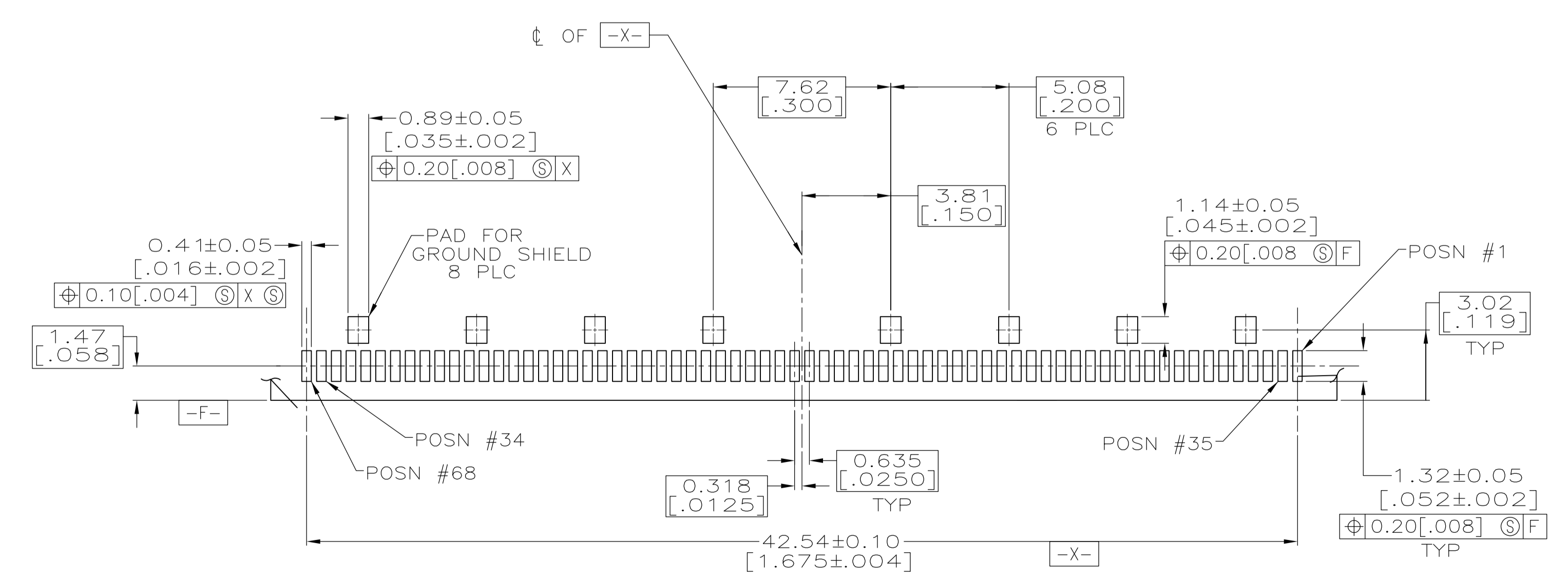


LOC		DIST		REVISIONS			
P	LTR	DESCRIPTION	DATE	DNW	APVD		
A		REV PER ECO-09-006436	15APR09	CR	EB		



- ① HOUSING: LCP, GLASS FILLED, COLOR: BLACK.
- ② CONTACTS: BERYLLIUM COPPER; SHIELD: BRASS.
- ③ DIMENSION IN REFERENCE TO LOWEST POINT OF EACH LEAD.
- 4. POINT OF CONTACT 2.3[.091] REF FROM MATING FACE.
- ⑤ APPLIES TO 68 SIGNAL TAILS ONLY.
- ⑥ LOCALIZED PLATING AREA "A".
- ⑦ LOCALIZED PLATING AREA "B".
- ⑧ PACKAGED IN TUBES.
- ⑨ PACKAGED IN 56mm WIDE TAPE AND PLASTIC REEL.
- ⑩ PACKAGED IN 72mm WIDE TAPE AND PLASTIC REEL.
- ⑪ CONTACTS: 0.00076[.000030] MINIMUM GOLD ON MATING AREA, 0.00064[.000025] MINIMUM SEMI-BRIGHT NICKEL ON MATING AREA, 0.00254[.000100] MINIMUM MATTE TIN ON SOLDER TAIL, ALL OVER 0.00127 [0.000050] MINIMUM MATTE NICKEL.
- ⑫ SHIELD: 0.00076[.000030] MINIMUM GOLD IN LOCALIZED PLATING AREA "A", 0.00013[.000005] MINIMUM GOLD IN LOCALIZED PLATING AREA "B", ALL OVER 0.00127 [0.000050] MINIMUM MATTE NICKEL.



SUGGESTED PC BOARD LAYOUT

**COPYRIGHT 2005
 TYCO ELECTRONICS CORP
 ALL RIGHTS RESERVED**

SUPERSEDED BY 5146777-5	⑩	5146777-5
	⑨	5146777-4
	PACKAGING	PART NUMBER

THIS DRAWING IS A CONTROLLED DOCUMENT.		DIN G. ATTADIA - 02-21-05		Tyco Electronics Corporation	
DIMENSIONS: mm[inches]		CHK D. GORENC 02-21-05		Tyco Electronics Corporation	
TOLERANCES UNLESS OTHERWISE SPECIFIED:		APVD M. WALMSLEY 02-21-05		Harrisburg, PA 17105-3608	
0 PLC ± -	1 PLC ± -	NAME		RECEPTACLE ASSEMBLY, SMT, 68 POSN,	
2 PLC ± ± 0.13[.005]	3 PLC ± -	PRODUCT SPEC		6mm/.236 IN, 0.41mm/.016 INCH OFFSET,	
4 PLC ± -	ANGLES ± °	APPLICATION SPEC		AMP PC CARDBUS	
MATERIAL	FINISH	SIZE	CAGE CODE	DRAWING NO	RESTRICTED TO
		A1	00779	5146777	
CUSTOMER DRAWING		SCALE	SHEET	REV	
		6:1	1 OF 2	A	

