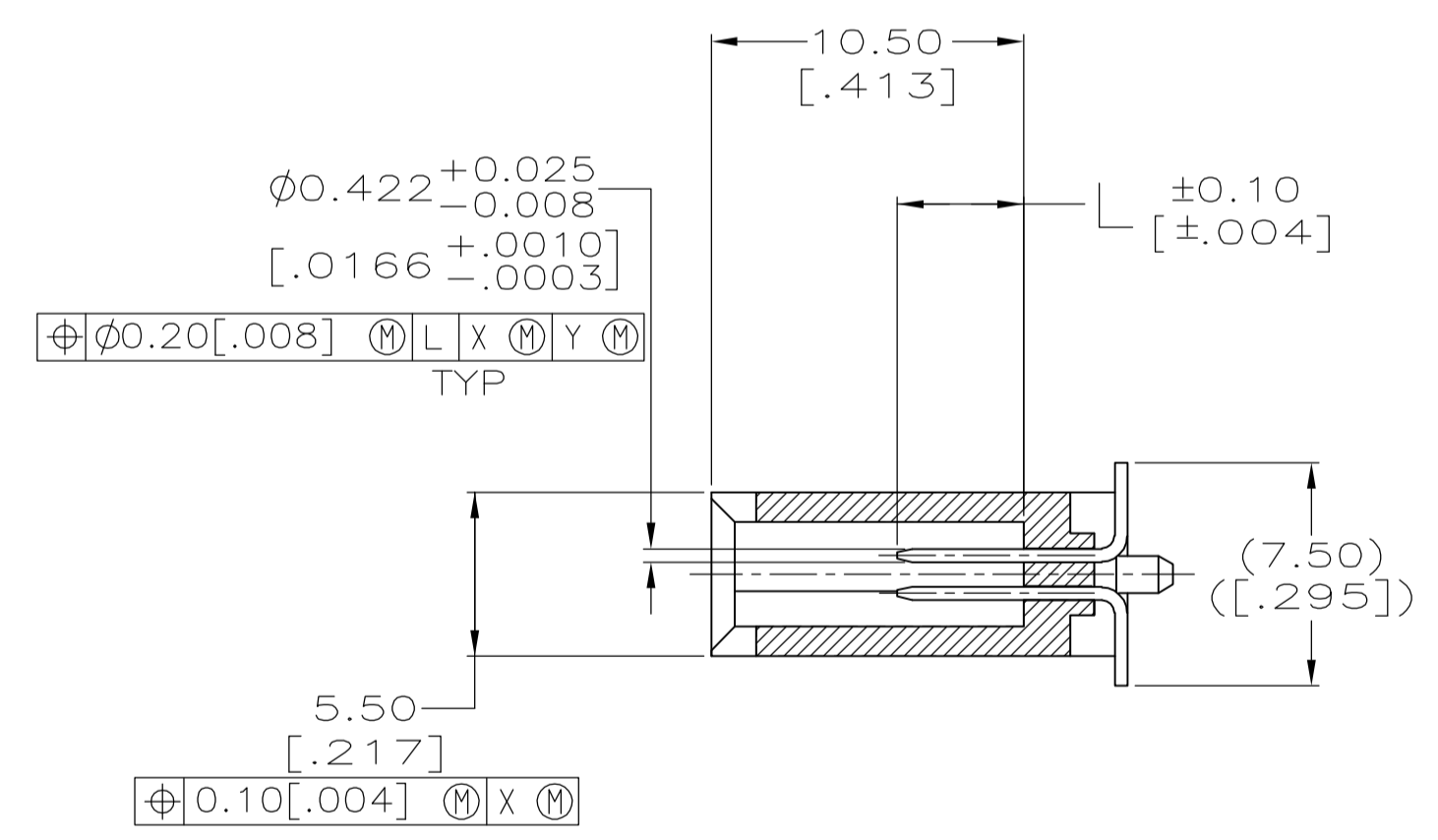


RECOMMENDED BOARD LAYOUT



- 1 CONTACTS: 0.00076[.000030] MINIMUM GOLD IN CONTACT AREA, 0.00381[.000150] MIN TIN ON SOLDER TAILS, ALL OVER 0.00127[.000050] MINIMUM NICKEL
- 2 DATUMS AND BASIC DIMENSIONS ESTABLISHED BY CUSTOMER
- 3. PRODUCT PACKAGED IN TUBES.
- 4 MATERIAL:
 HOUSING: LCP, COLOR BLACK
 CONTACTS: BRASS

**COPYRIGHT 2005
 TYCO ELECTRONICS CORP
 ALL RIGHTS RESERVED**

| | | | | |
|-------------------------------|---------------------|----------------|-----------|-------------|
| AS SHOWN | 1,17,34 35,51,68 | ALL OTHER PINS | 36,67 | 5146733-1 |
| DESCRIPTION | 5.0[.197] | 4.25[.167] | 3.5[.138] | PART NUMBER |
| " L " PIN LENGTH AND LOCATION | | | | |

| | | | |
|--|----------|---------------------------------|--|
| THIS DRAWING IS A CONTROLLED DOCUMENT. | | DIN A. FERNANDEZ-DOCK5 03-29-05 | Tyco Electronics Corporation Harrisburg, PA 17105-3608 |
| DIMENSIONS: mm[inches] | | CHK D.L. GORENC 03-29-05 | |
| TOLERANCES UNLESS OTHERWISE SPECIFIED: | | APVD W. WALMSLEY 03-29-05 | NAME PIN HEADER ASSEMBLY, VERTICAL, 68 POSITION, SURFACE MOUNT, AMP PC CARD |
| 0 PLC ± - | | PRODUCT SPEC | |
| 1 PLC ± - | | APPLICATION SPEC | SIZE CASE CODE DRAWING NO |
| 2 PLC ± 0.13[.005] | | RESTRICTED TO | A1 00779 C=5146733 |
| 3 PLC ± - | | CUSTOMER DRAWING | SCALE 4:1 SHEET 1 OF 1 REV 0 |
| 4 PLC ± - | | | |
| ANGLES ± ° | | | |
| MATERIAL 4 | FINISH 1 | | |