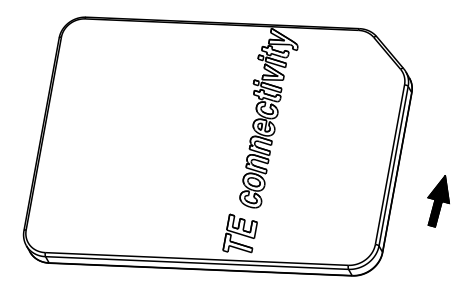
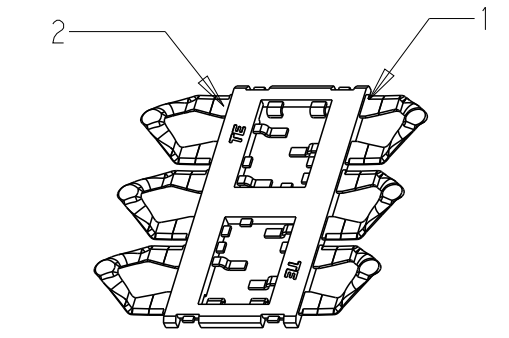
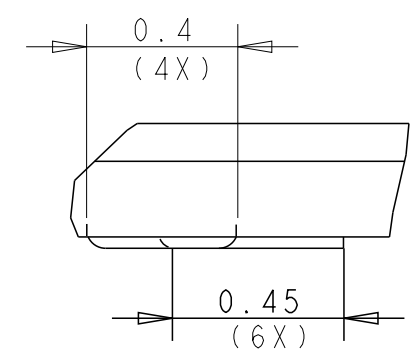
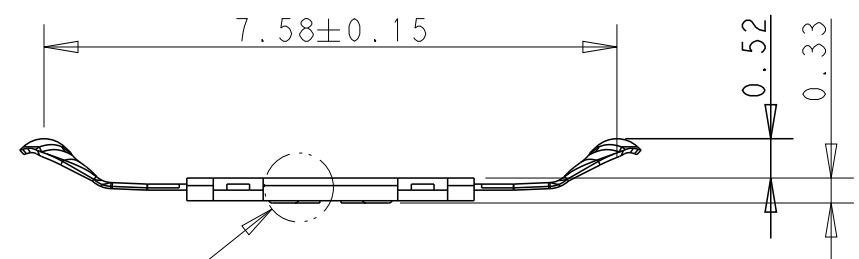
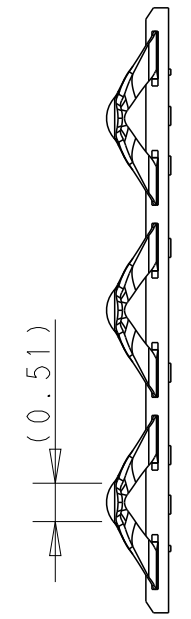
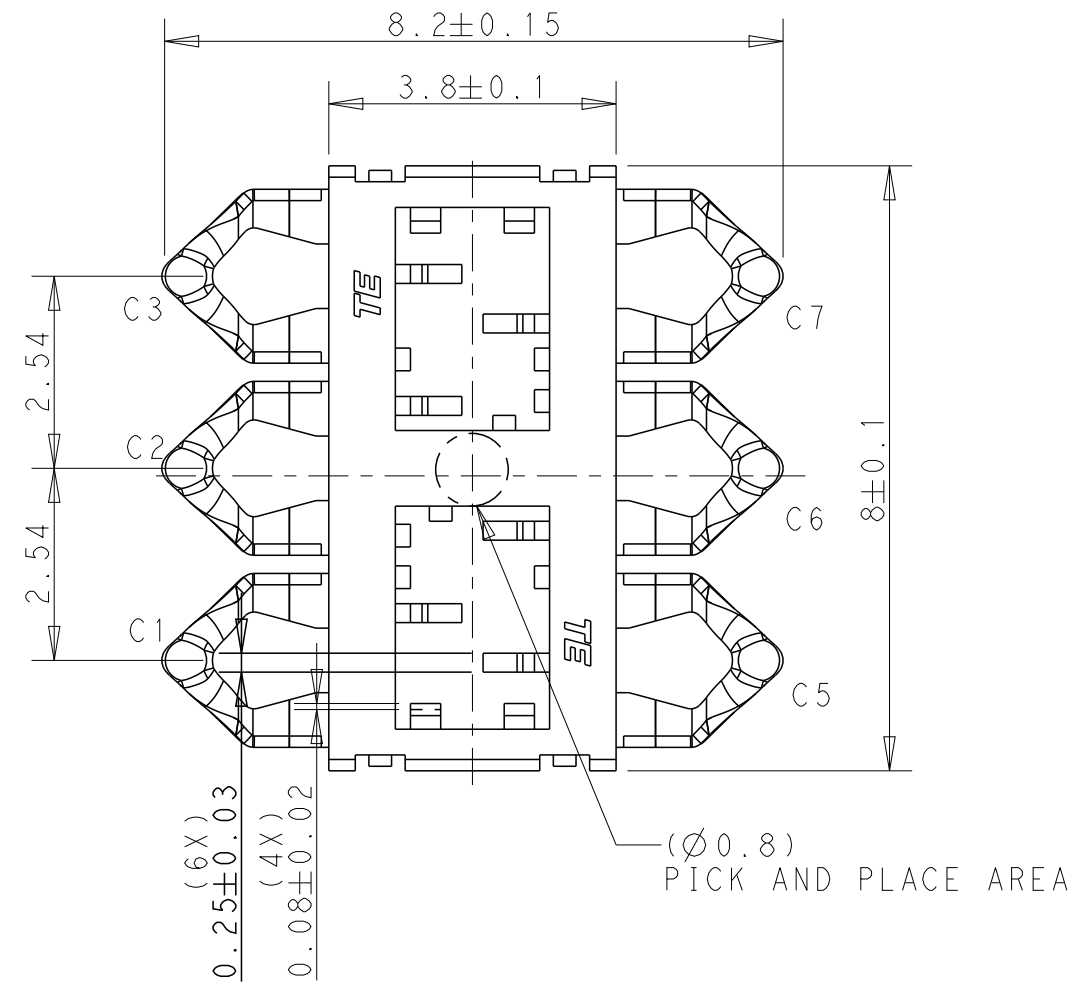


THIS DRAWING IS UNPUBLISHED. RELEASED FOR PUBLICATION 20
 © COPYRIGHT 20 BY - ALL RIGHTS RESERVED.

REVISIONS					
P	LTR	DESCRIPTION	DATE	DWN	APVD
A		THE OFFICIAL VERSION RELEASED	27-Feb-15	E.F.	C.W.

- NOTES:
- 1 HOUSING MATERIAL: THERMO PLASTIC RESIN.
 - 2 CONTACT MATERIAL: COPPER ALLOY.
 - 2 FINISH :
 50u" MIN. NICKEL UNDERPLATING ALL OVER,
 GOLD PLATING 2u" MIN. ON CONTACT AREA
 12u" MIN. Pd/Ni ON CONTACT AREA
 GOLD PLATING 1u" MIN. ON SOLDER AREA
 - 3 COPLANARITY: 0.08MAX. (BEFORE IR)
 - 4 DATE CODE:
 YWWDSSL (YEAR, WEEK, DAY, SHIFT, LINE)



SEE DETAIL A

DETAIL A
SCALE 50:1

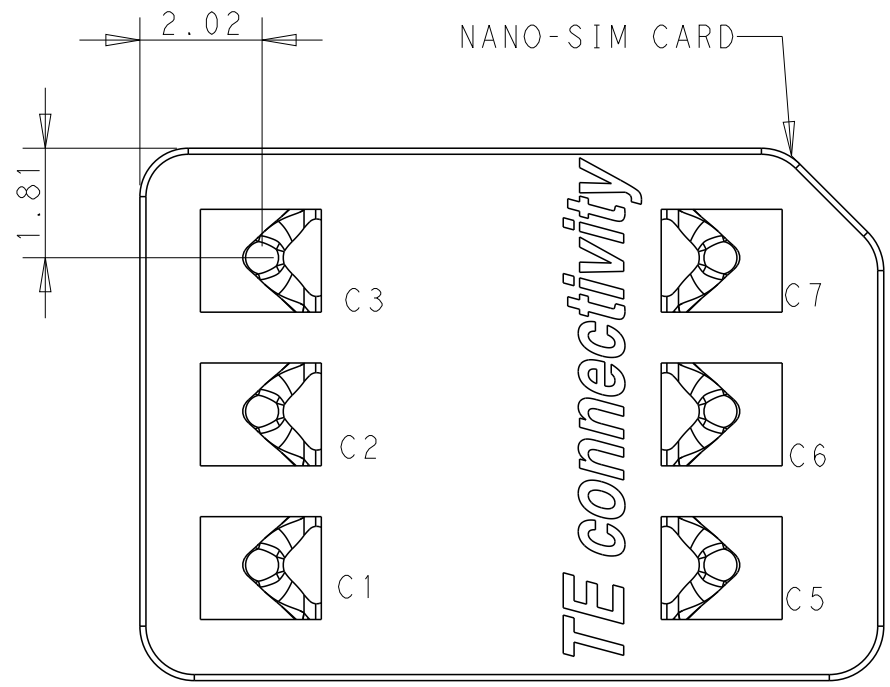
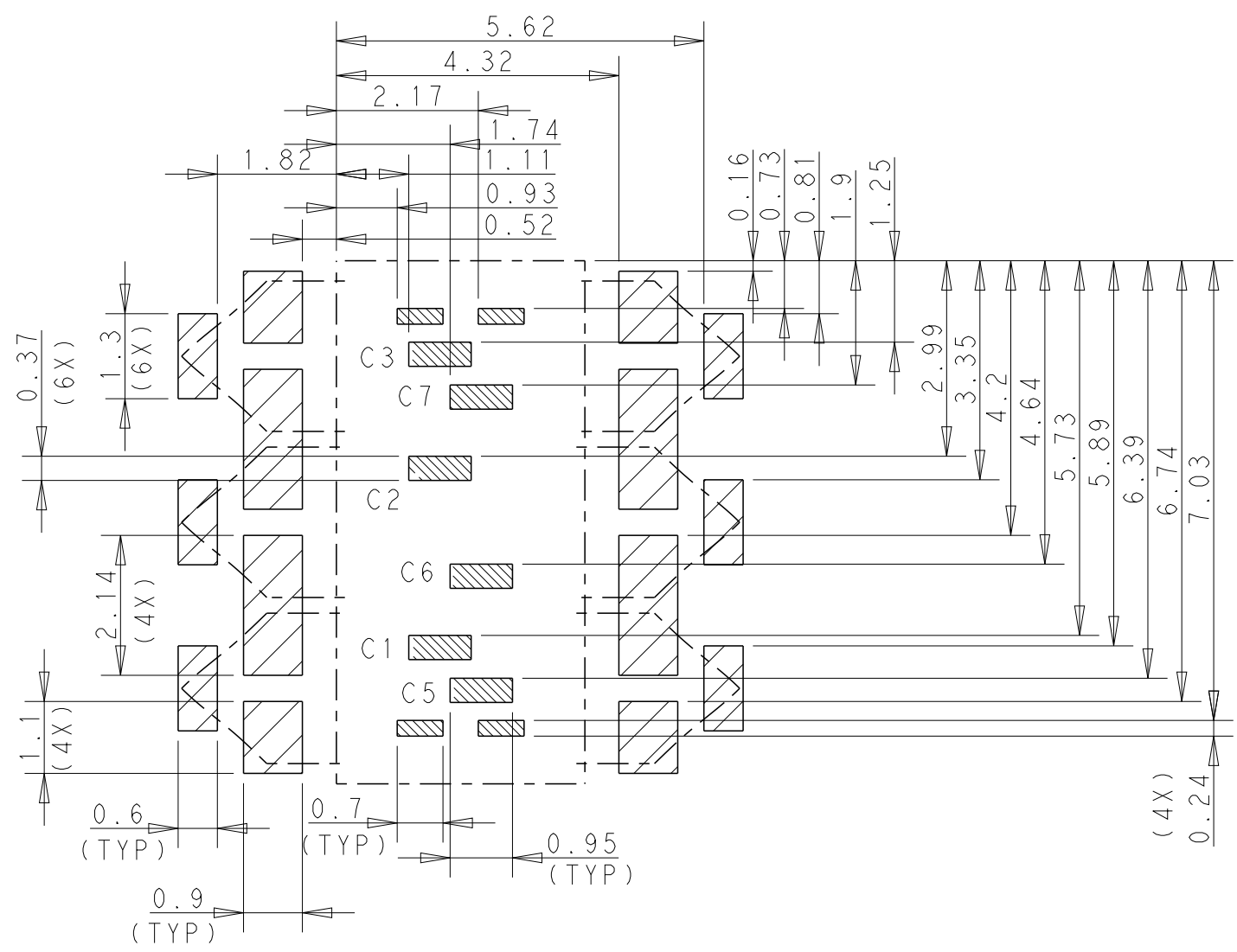
CARD INSERTION DIRECTION

2287217-1	2	CONTACT	2
	1	HOUSING	1
P/N	ITEM	COMPONENT	MATERIAL/FINISH

THIS DRAWING IS A CONTROLLED DOCUMENT.		DWN E.F. 27-Feb-15		
DIMENSIONS: mm		CHK S.L. 27-Feb-15		
TOLERANCES UNLESS OTHERWISE SPECIFIED:		APVD C.W. 27-Feb-15	NAME	
0 PLC ±- 1 PLC ±0.1 2 PLC ±0.05 3 PLC ±0.02 4 PLC ±- ANGLES ±-		PRODUCT SPEC 108-115090	ANTI-BUCKLING BLOCK SIM CONNECTOR SIDE ENTRY TYPE	
MATERIAL -		APPLICATION SPEC -	SIZE A3	CAGE CODE 00779
FINISH -		WEIGHT 0.026g	DRAWING NO C-2287217	RESTRICTED TO -
CUSTOMER DRAWING			SCALE 10:1	SHEET 1 OF 2
			REV A	

THIS DRAWING IS UNPUBLISHED. RELEASED FOR PUBLICATION 20
 © COPYRIGHT 20 BY - ALL RIGHTS RESERVED.

REVISIONS					
P	LTR	DESCRIPTION	DATE	DWN	APVD
A		THE OFFICIAL VERSION RELEASED	27-Feb-15	E.F.	C.W.



- SOLDER AREA
- COPPER FOIL REMOVE & SOLDER MASK KEEP OUT (DEPTH: 0.05~0.10MM)
- CONNECTOR BOUNDARY

THIS DRAWING IS A CONTROLLED DOCUMENT.		DWN E.F. 27-Feb-15	TE Connectivity				
DIMENSIONS: mm		CHK S.L. 27-Feb-15					
TOLERANCES UNLESS OTHERWISE SPECIFIED:		APVD C.W. 27-Feb-15	NAME				
0 PLC ±- 1 PLC ±0.1 2 PLC ±0.05 3 PLC ±0.02 4 PLC ±- ANGLES ±-		PRODUCT SPEC 108-115090	ANTI-BUCKLING BLOCK SIM CONNECTOR SIDE ENTRY TYPE				
MATERIAL -		APPLICATION SPEC -	SIZE A3	CAGE CODE 00779	DRAWING NO C-2287217	RESTRICTED TO -	
FINISH -		WEIGHT 0.026g	SCALE 10:1			SHEET 2 OF 2	REV A
		CUSTOMER DRAWING					