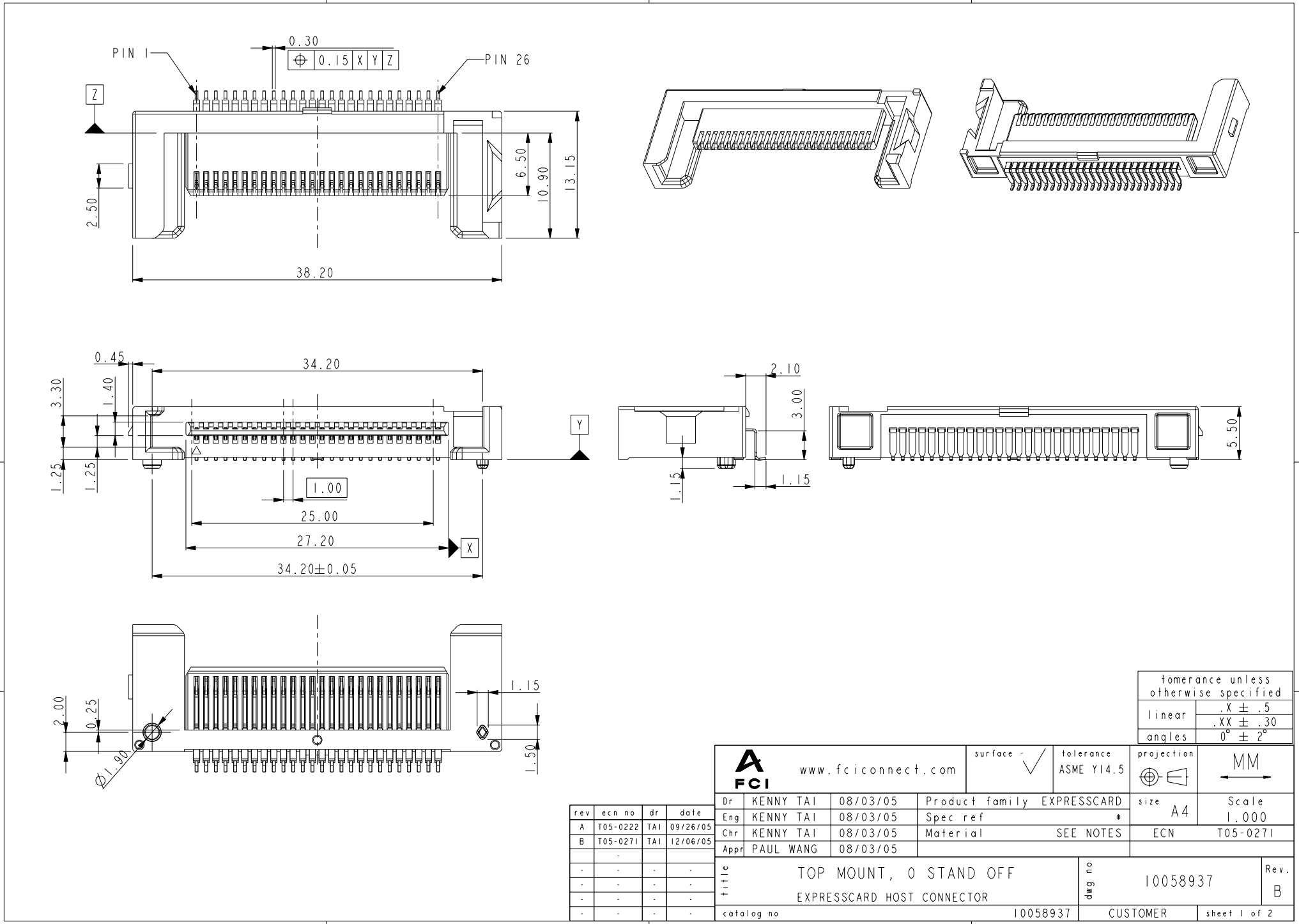


Tous droits strictement réservés. Reproduction ou communication à des tiers interdite sous quelque forme que ce soit sans autorisation écrite du propriétaire. Propriété de c FCI. Droits de reproduction FCI.



All rights strictly reserved. Reproduction or issue to third parties in any form whatever is not permitted without written authority from the proprietor. Property of FCI. Copyright FCI.



| rev | ecn no | dr | date |
|-----|----------|-----|----------|
| A | T05-0222 | TAI | 09/26/05 |
| B | T05-0271 | TAI | 12/06/05 |
| - | - | - | - |
| - | - | - | - |
| - | - | - | - |

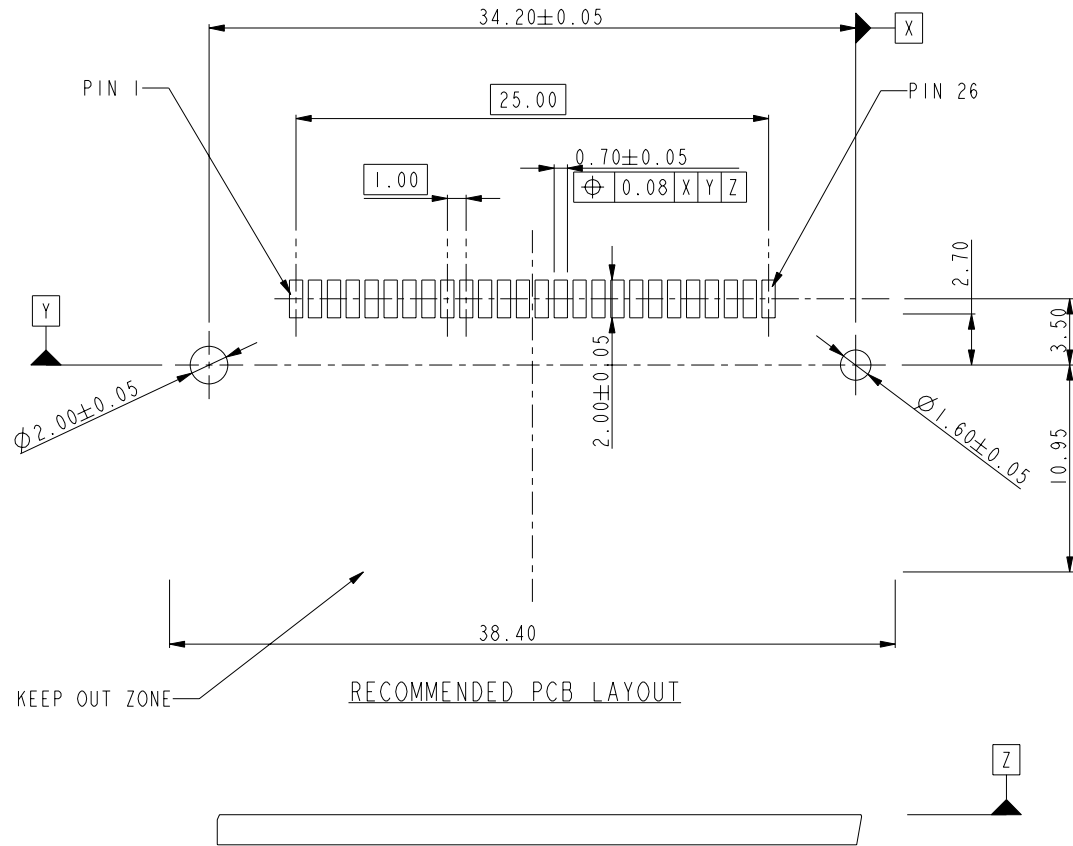
| | | | | | | | |
|---|-----------|--------------------|----------------|--------------------|-------------------------|-----------------|----------------|
| A FCI | | www.fciconnect.com | | surface - ✓ | tolerance ASME Y14.5 | projection ⊕ | MM |
| Dr | KENNY TAI | 08/03/05 | Product family | EXPRESSCARD | size | A4 | Scale 1.000 |
| Eng | KENNY TAI | 08/03/05 | Spec ref | * | ECN | T05-0271 | |
| Chr | KENNY TAI | 08/03/05 | Material | SEE NOTES | | | |
| Appr | PAUL WANG | 08/03/05 | | | | | |
| title TOP MOUNT, 0 STAND OFF EXPRESSCARD HOST CONNECTOR | | | | dwg no 10058937 | | Rev. B | |
| catalog no 10058937 | | | | CUSTOMER | | sheet 1 of 2 | |

| | |
|--------------------------------------|-----------|
| tolerance unless otherwise specified | |
| linear | .X ± .5 |
| angles | .XX ± .30 |
| | 0° ± 2° |

Tous droits strictement reserves. Reproduction ou communication a des tiers interdite sous quelque forme que ce soit sans autorisation écrite du propriétaire. Propriete de c FCI. Droits de reproduction FCI.



All rights strictly reserved. Reproduction or issue to third parties in any form whatever is not permitted without written authority from the proprietor. Property of FCI. Copyright FCI.



NOTES :

1. MATERIAL:
HOUSING: HIGH TEMPERATURE THERMOPLASTIC,
UL 94 V-0 FLAME RETARDANT.
TERMINAL: COPPER ALLOY.
PLATING SPEC. AS BELOW :
Ni 50u" UNDER PLATED.
Au OR GXT 30u" OVER CONTACT AREA. (ONE SIDE)
Tin 120u" OVER SOLDERING AREA.
2. PACKING SPEC. GS-14-924.
3. PRODUCT PERFORMANCE PER SPEC. GS-12-285.
4. PART NUMBER SCHEME: (EX. 10058937-100ABSMFLF)
10058937-X XX X X X X LF (LEAD FREE)

| SPEC. | OPTION (CODE) | | |
|------------|---------------|-----------------|----------|
| MYLAR | WITH (M) | WITHOUT () | |
| PACKING | TRAY (S) | TAPE & REEL (T) | TUBE (P) |
| HSG COLOR | BLACK (B) | NATURE (N) | |
| MOUNT SIDE | ABOVE (A) | | |
| STAND-OFF | 0 (00) | | |
| PLATING | GOLD (1) | GXT (2) | |

5. RoHS COMPATIBLE PRODUCT SPECIFICATIONS

- a-PLATING:
-"LF" MEANS THE PRODUCT IS LEAD-FREE, 2micro-meter MINIMUM MATTE TIN OVER 1.27micro-meter MINIMUM NICKEL UNDERPLATE.
 - b-MANUFACTURING PROCESS COMPATIBILITY.
-THE HOUSING WILL WITHSTAND EXPOSURE TO 260°C±5°C SOLDER BATH TEMPERATURE FOR 5 SECONDS IN A REFLOW SOLDER APPLICATION WITH A 1.6mm MIN THICK CIRCUIT BOARD.
6. UMNATING FORCE: 18.5N MAX.

| | | | | | |
|------------|--|----------|--------------|------|---|
| title | TOP MOUNT, 0 STAND OFF EXPRESSCARD HOST CONNECTOR | dwg no | 10058937 | Rev. | B |
| catalog no | 10058937 | CUSTOMER | sheet 2 of 2 | | |